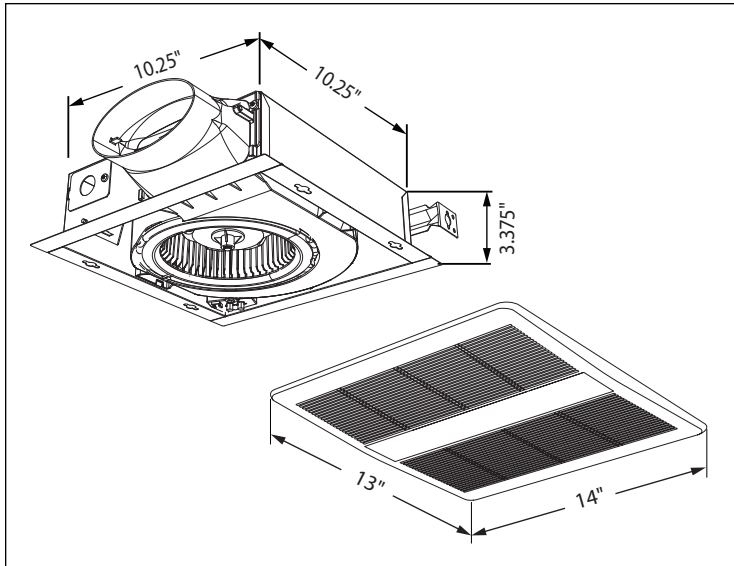


MODEL: TF-N TRANQUIL BATHROOM FAN - LOW PROFILE

The low profile design of the TF80N Tranquil Bathroom Fan accommodates space constraints and fits in a wall or ceiling. The built-in damper prevents a backdraft, keeping tempered air in a home when the fan is not operating.



Model	TF80N	TF100N
Air Volume (cfm @ 0.1" SP)	80	100
Air Volume (cfm @ 0.25" SP)	62	86
Sones (Rated at 0.1" SP)	1.2	2.0
Power Consumption (W)	25.9	24.6
Power Rating (V/Hz)	120V / 60 Hz	
Duct Diameter (In.)	4 (Oval)	



CONSTRUCTION

- Galvanized steel housing
- Clean, simple grille design
- Install with adjustable hanger bar
- Built-in backdraft damper
- Fits 4" oval duct

MOTOR

- Efficient AC motor
- Single phase
- 120V, 60 Hz
- Automatic reset thermal overload protection

PROJECT				ARCHITECT			
DATE				ENGINEER			
SUBMITTED BY				CONTRACTOR			
SPECIFICATION							
FAN NO.	MODEL NO.	CFM	VOLTS	WATTS	QTY	OPTIONAL EQUIPMENT	