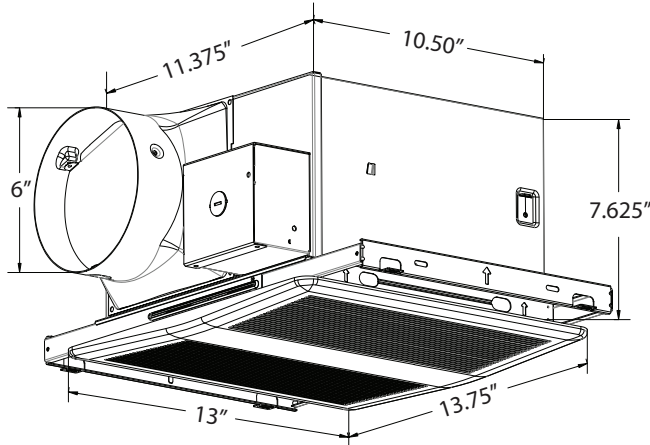



better AIRFLOW by DESIGN™

MODEL: TF140-DC TRANQUIL BATHROOM FAN

With its high efficiency DC motor, the TF140-DC Tranquil bathroom fan offers whisper-quiet exhaust that is under 1 sone. Toggle switch positioning determines the desired airflow rate, ranging from 90 to 150 cfm.



| Model | TF140-DC | | | |
|-------------------------|--------------|-----|-----|------|
| Airflow @ 0.1" SP (cfm) | 90 | 100 | 120 | 150 |
| Noise (Sones) | 0.3 | 0.3 | 0.3 | 0.5 |
| Power Consumption (W) | 6.0 | 6.5 | 8.7 | 12.4 |
| Power Rating (V/Hz) | 120V / 60 Hz | | | |
| Duct Diameter (in.) | 6 | | | |
| Manufacture Code | SED1104 | | | |



CONSTRUCTION

- Multi-speed fan
- Galvanized steel housing
- Clean, simple grille design
- Install to joist with mounting frame
- Built-in backdraft damper
- Fits 6" duct

MOTOR

- Efficient DC motor
- Single phase
- 120V, 60 Hz
- Automatic reset thermal overload protection

| PROJECT | | | | ARCHITECT | | |
|---------------|-----------|-----|-------|------------|-----|--------------------|
| DATE | | | | ENGINEER | | |
| SUBMITTED BY | | | | CONTRACTOR | | |
| SPECIFICATION | | | | | | |
| FAN NO. | MODEL NO. | CFM | VOLTS | WATTS | QTY | OPTIONAL EQUIPMENT |
| | | | | | | |
| | | | | | | |
| | | | | | | |
| | | | | | | |
| | | | | | | |
| | | | | | | |
| | | | | | | |