

ROOF VENTILATORS

UDVL DIRECT DRIVE UPBLAST ROOF VENTILATORS

FEATURES & BENEFITS

- Low silhouette weatherproof closure for vertical air discharge
- Direct drive, low maintenance
- Spark resistant, cast aluminum airfoil axial impeller
- Factory set adjustable pitch impeller
- Aerodynamically efficient performance
- TEFC industrial duty motor
- Weather-tight steel curb panel
- Heavy duty welded steel construction
- Baked polyester powder coat finish with a zinc rich primer
- Rugged galvanized damper section with butterfly damper blades
- Damper rods turn in nylon bearings and require no lubrication

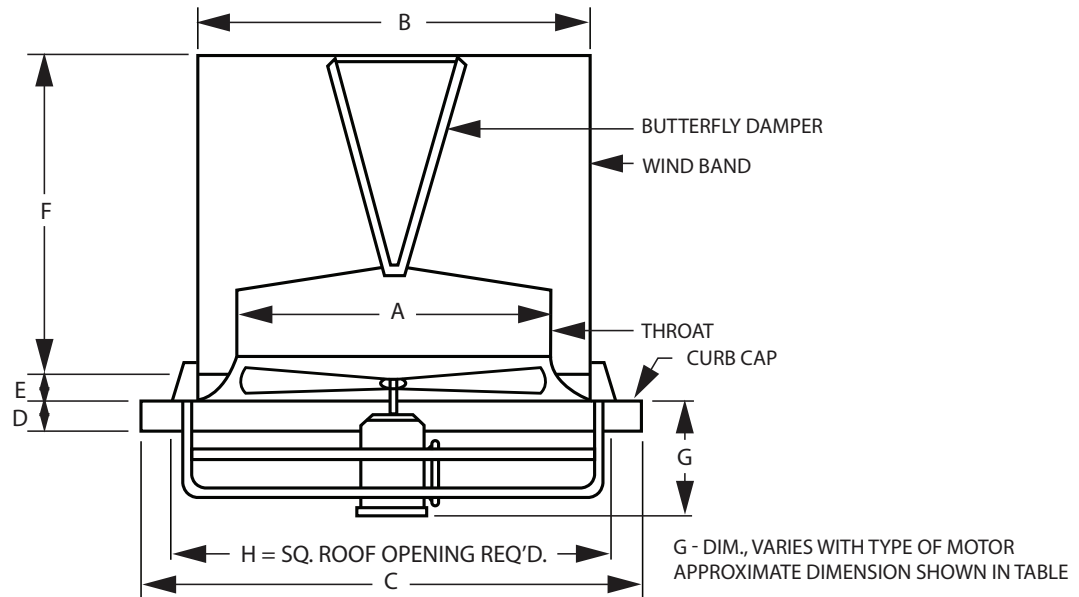


APPLICATIONS

- General ventilation
- Exhaust or smoke fumes

ACCESSORIES / OPTIONS

- Pre-fabricated roof curbs
- Explosion proof & special duty motors
- Hot dipped galvanized construction
- 304 or 316 stainless steel construction
- Disconnect switches, mounted or mounted & wired
- Magnetic damper pads for positive closure
- Baked epoxy powder coat finish, two layers
- AMCA spark resistant construction - consult factory



MODEL	DIMENSIONS IN INCHES*								WT (LBS) LESS MTR	MAX MTR FRAME
	A	B	C	D	E	F	G	H		
UDVL-18	19	24	33 SQ.	2.5	3	16	13	28	150	145T
UDVL-24	25	30	39 SQ.	2.5	3	19	15	34	213	184T
UDVL-30	31	36	45 SQ.	2.5	3	22	15	40	255	184T
UDVL-36	37	42	51 SQ.	2.5	3	25	18	46	305	215T
UDVL-42	43	48	57 SQ.	2.5	3	27	18	52	295	256T
UDVL-48	49	54	63 SQ.	2.5	3	30	20	58	490	256T
UDVL-60	61	66	75 SQ.	2.5	3	42	22	70	615	256T

MODEL	AIRFLOW PERFORMANCE (CFM)	
	MINIMUM	MAXIMUM
UDVL-18	2,650	4,600
UDVL-24	4,715	10,500
UDVL-30	7,365	17,750
UDVL-36	10,605	22,600
UDVL-42	14,435	28,970
UDVL-48	18,765	41,000
UDVL-60	29,445	54,000

*DO NOT USE FOR CONSTRUCTION

CONSULT FACTORY FOR CERTIFIED PRINTS

MINIMUM CFM VALUE REQUIRED
TO OPEN DAMPER BLADES

UBVL BELT DRIVE UPBLAST ROOF VENTILATORS

FEATURES & BENEFITS

- Low silhouette weatherproof closure for vertical air discharge
- V-belt drive for low speed operation
- Spark resistant, cast aluminum airfoil axial impeller
- Factory set adjustable pitch impeller
- Aerodynamically efficient performance
- TEFC industrial duty motor
- Self-aligning pillow block ball bearings
- Weather-tight steel curb panel
- Heavy duty welded steel construction
- Baked polyester powder coat finish with a zinc rich primer
- Rugged galvanized damper section with butterfly damper blades
- Damper rods turn in nylon bearings and require no lubrication

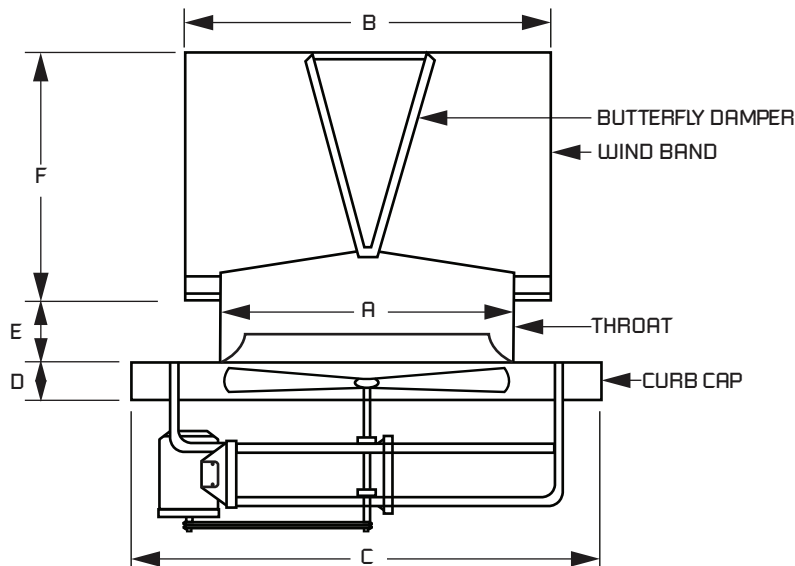


APPLICATIONS

- General ventilation
- Exhaust or smoke fumes

ACCESSORIES / OPTIONS

- Pre-fabricated roof curbs
- Explosion proof & special duty motors
- Hot dipped galvanized construction
- 304 or 316 stainless steel construction
- Disconnect switches, mounted or mounted & wired
- Magnetic damper pads for positive closure
- Baked epoxy powder coat finish, two layers
- AMCA spark resistant construction - consult factory



MODEL	DIMENSIONS IN INCHES*						WT (LBS) LESS MTR	MAX MTR FRAME
	A	B	C	D	E	F		
UBVL-24	25	30	39 SQ.	2.5	3	19	270	145T
UBVL-30	31	36	45 SQ.	2.5	3	22	330	145T
UBVL-36	37	42	51 SQ.	2.5	3	25	350	145T
UBVL-42	43	48	57 SQ.	2.5	3	27	413	184T
UBVL-48	49	54	63 SQ.	2.5	3	30	478	184T
UBVL-54	55	60	69 SQ.	2.5	3	36	830	184T
UBVL-60	61	66	75 SQ.	2.5	3	42	895	184T

MODEL	AIRFLOW PERFORMANCE (CFM)	
	MINIMUM	MAXIMUM
UBVL-24	4,715	7,090
UBVL-30	7,365	12,473
UBVL-36	10,605	16,554
UBVL-42	14,435	23,645
UBVL-48	18,765	33,160
UBVL-54	23,850	37,458
UBVL-60	29,445	44,600

*DO NOT USE FOR CONSTRUCTION

CONSULT FACTORY FOR CERTIFIED PRINTS

MINIMUM CFM VALUE REQUIRED TO
OPEN DAMPER BLADES

ROOF VENTILATORS

UBV BELT DRIVE UPBLAST ROOF VENTILATORS

FEATURES & BENEFITS

- Standard upblast weatherproof closure for vertical air discharge
- V-belt drive for low speed operation
- Spark resistant, cast aluminum airfoil axial impeller
- Factory set adjustable pitch impeller
- TEFC motor located outside of airstream
- Adjustable motor base with self-aligning pillow block ball bearings
- Completely sealed belt tube to protect V-belt drive
- Extended lube lines
- Heavy duty welded steel construction
- Weather-tight steel curb panel
- Baked polyester powder coat finish with a zinc rich primer
- Rugged galvanized damper section with butterfly damper blades
- Damper rods turn in nylon bearings and require no lubrication

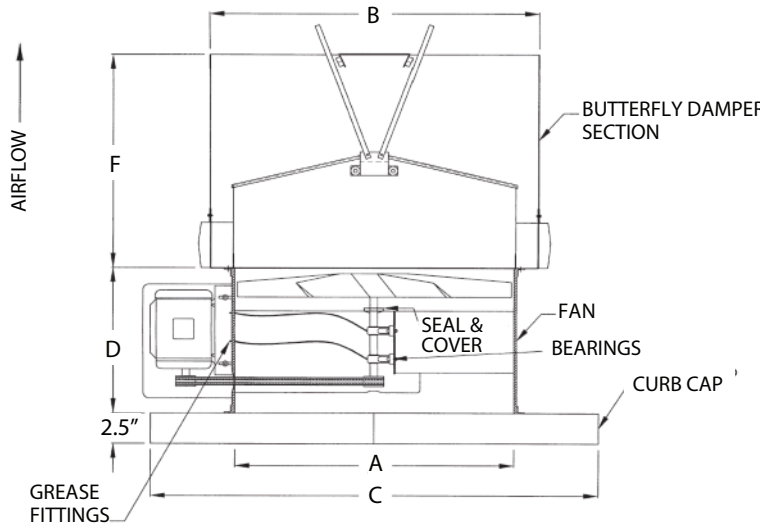


APPLICATIONS

- General ventilation
- Moisture laden air
- Exhaust, heat or smoke fumes
- Mild contaminants in the air stream

ACCESSORIES / OPTIONS

- Pre-fabricated roof curbs
- Explosion proof & special duty motors
- Hot dipped galvanized construction
- 304 or 316 stainless steel construction
- Disconnect switches, mounted or mounted & wired
- Magnetic damper pads for positive closure
- Baked epoxy powder coat finish, two layers
- AMCA spark resistant construction - consult factory



MODEL	DIMENSIONS IN INCHES*					WT (LBS) LESS MTR	MAX MTR FRAME
	A	B	C	D	F		
UBV-18	18	24	33 SQ.	18	20.0	240	145T
UBV-24	24	30	39 SQ.	18	24.0	333	182T
UBV-30	30	36	45 SQ.	18	26.0	430	184T
UBV-36	36	42	51 SQ.	18	30.5	455	213T
UBV-42	42	48	57 SQ.	22	33.0	650	215T
UBV-48	48	54	63 SQ.	24	33.5	680	215T
UBV-54	54	60	69 SQ.	30	39.5	810	215T
UBV-60	60	66	75 SQ.	30	40.0	850	254T

*DO NOT USE FOR CONSTRUCTION

CONSULT FACTORY FOR CERTIFIED PRINTS

MODEL	AIRFLOW PERFORMANCE (CFM)	
	MINIMUM	MAXIMUM
UBV-18	2,650	5,350
UBV-24	4,715	10,500
UBV-30	7,365	16,440
UBV-36	10,605	22,500
UBV-42	14,435	33,300
UBV-48	18,432	41,200
UBV-54	25,984	45,472
UBV-60	29,445	61,000

MINIMUM CFM VALUE REQUIRED TO OPEN DAMPER BLADES

HRV HOODED ROOF VENTILATORS

FEATURES & BENEFITS

- Supply or exhaust applications
- Direct drive (HRVD) or belt drive (HRVB) arrangements
- Spark resistant, cast aluminum airfoil axial impeller
- Factory set adjustable pitch impeller
- Aerodynamically efficient performance
- Heavy duty welded steel base
- Baked polyester powder coat finish with a zinc rich primer
- Hinged aluminum hood with galvanized birdscreen
- TEFC industrial duty motor
- Direct drive units are easily maintained – no belts or pulleys
- Belt drive units have self-aligning pillow block bearings
- Belt drive units use v-belt drive for low speed operation

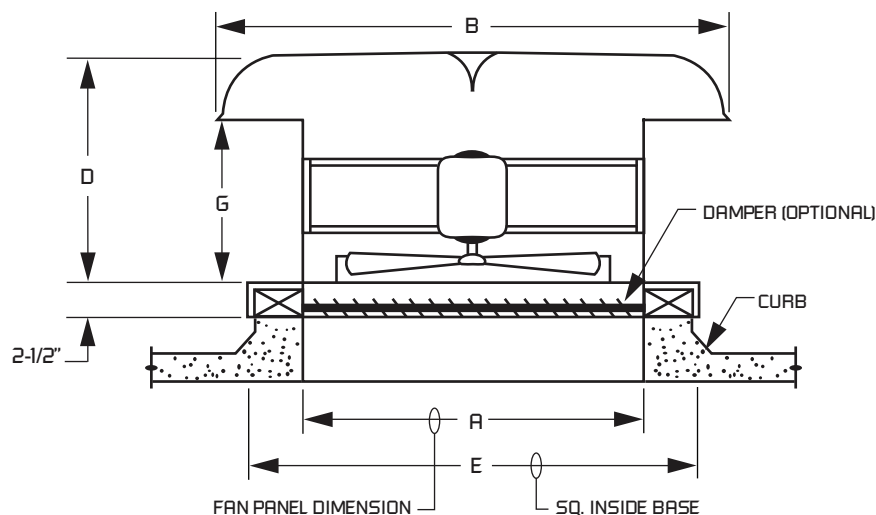


APPLICATIONS

- General ventilation
- Make-up air
- Heat exhaust
- Fume and smoke exhaust
- Filtered air supply

ACCESSORIES / OPTIONS

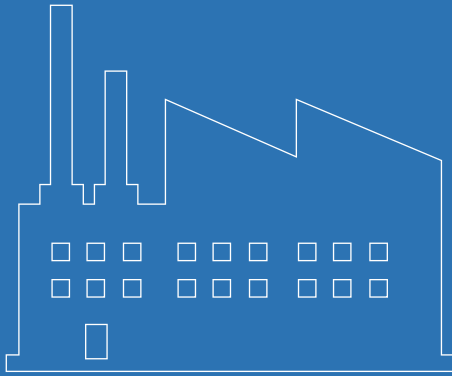
- Filtered intake unit
- Gravity shutter for exhaust only
- Pre-fabricated roof curbs
- Custom curb panel to match existing curb
- Explosion proof motors
- Special duty motors
- 2" thick disposable filters, for filtered intake unit
- Variable pitch sheaves for easy & accurate adjustment
- Disconnect switch - mounted, or mounted & wired
- Motor operated damper for supply or exhaust applications
- Baked epoxy powder coat finish, two layers
- AMCA spark resistant construction - consult factory



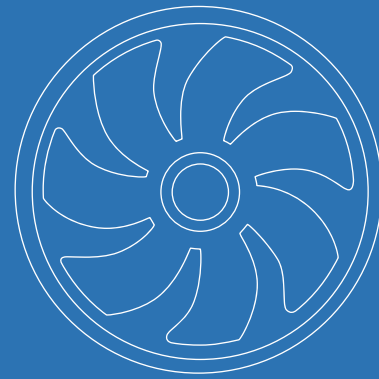
MODEL	DIMENSIONS IN INCHES*						AIRFLOW PERFORMANCE (CFM)				
	A	B	D	E	G	WT (LBS) LESS MTR	MAX MTR FRAME	HP	MINIMUM	MAXIMUM	MAXIMUM CFM W/ FILTERS
HRV-24	30	54 x 64	41.5	39	25.5	324	145T	1/4 - 1	800	6,700	4,875
HRV-30	36	60 x 76	41.5	45	25.5	365	145T	1/3 - 1 1/2	800	11,800	12,000
HRV-36	42	72 x 82	45.5	51	27.5	410	145T	1/3 - 2	1,800	15,376	14,000
HRV-42	48	80 x 89	45.5	57	27.5	503	184T	1/2 - 3	3,300	22,296	16,000
HRV-48	54	87 x 95	49.5	63	29.5	630	184T	3/4 - 5	4,283	30,900	18,000
HRV-54	60	92 x 98	50.5	69	29.5	870	215T	1 - 5	8,000	35,238	17,500
HRV-60	66	90 x 107	54.5	75	31.5	1140	215T	1 - 10	9,600	47,000	32,000

*DO NOT USE FOR CONSTRUCTION

CONSULT FACTORY FOR CERTIFIED PRINTS



***Industrial Fans
& Blowers***



***OEM Solutions
& Custom Fans***



***Commercial Fans
& Dampers***



***Residential Fans &
Air Purifiers***



Industrial Fans & Blowers

Continental Fan Manufacturing Inc.
Buffalo, NY ~ Dayton, OH

Continental Fan Canada Inc.
Mississauga, Ontario

continentalfan.com
1-800-779-4021

Distributed by:



IFD-CAT-2109