

RMD DIRECT DRIVE AXIAL EXHAUST FANS



RMD Axial Exhaust Fans are suitable for roof or wall mounting in commercial ventilation applications such as mechanical room exhaust, warehouse exhaust and much more. They are the perfect low-cost choice for areas that have little or no ductwork.

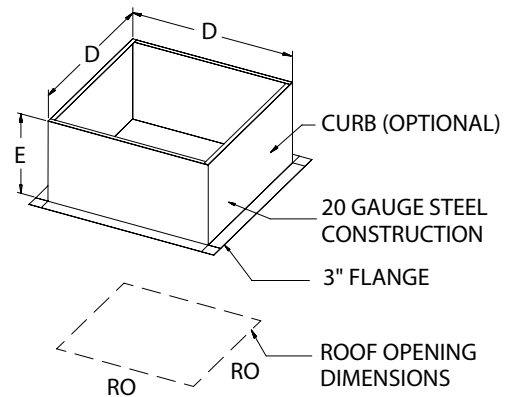
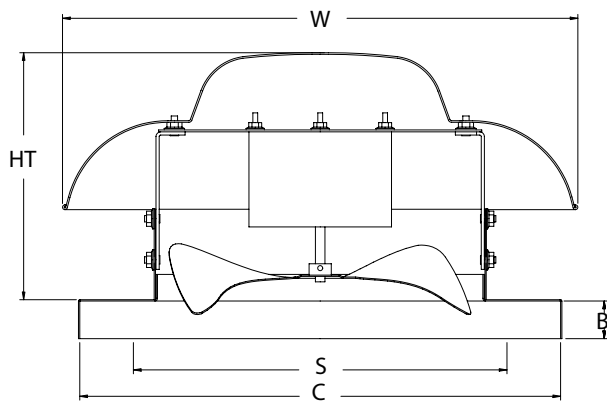
Features & Benefits

- Suitable for roof or wall mounting
- Axial impellers constructed with die formed blades riveted to a steel hub
- Spun aluminum housing for weather-resistant durability
- Wire conduit provides a clear channel for electrical connections
- Bird screen
- Totally enclosed, permanently lubricated, ball bearing motor
- Disconnect switch
- 110 F max. temperature rating
- Available in 115V 1 phase
- Diameters range from 10" to 18"
- Direct drive capacities to 2,400 cfm

Accessories / Options

- Gravity dampers
- Motorized dampers
- Wall mount brackets
- Roof curb

MODEL	RPM	MTR HP	FLA	AIRFLOW PERFORMANCE (CFM)							
				0" SP	0.125" SP	0.25" SP	0.375" SP	0.50" SP	0.625" SP	0.75" SP	0.875" SP
RMD-10	1500	1/30	1.1	500	339	267	173	-	-	-	-
RMD-12	1500	1/10	1.2	830	710	620	522	436	357	270	-
RMD-14	1100	1/6	2.2	1160	899	786	646	521	384	236	-
RMD-18	1100	1/3	4.5	2400	2034	1628	1491	1293	1084	881	662



MODEL	DIMENSIONS IN INCHES*							WT (lbs)	DAMPER SQUARE	MANUFACTURE CODE
	HT	W	B	C	D	E	RO			
RMD-10	9.8	18.3	2	19	17.5	12	13	24	12	DDAR10
RMD-12	10.8	20.3	2	19	17.5	12	13	32	12	DDAR12
RMD-14	12.6	27.3	2	21	19.5	12	16	45	15	DDAR14
RMD-18	14.4	33.6	2	26	24.5	12	20	67	19	DDAR18

*DO NOT USE FOR CONSTRUCTION

CONSULT FACTORY FOR CERTIFIED PRINTS

ROOF & WALL EXHAUST FANS

CDD DIRECT DRIVE DOWNBLAST FANS



Features & Benefits

- Suitable for roof or wall mount
- Backward inclined, non-overloading wheels
- Spun aluminum housing for weather-resistant durability
- Wire conduit provides protected channel for electrical connections
- Blades and inlets fabricated from aluminum
- Bird screen
- Disconnect switch
- Variable speed control
- 110 F max. temperature rating
- Available in 115V 1 phase, contact factory for EC motors
- Direct drive capacities to 3,300 cfm

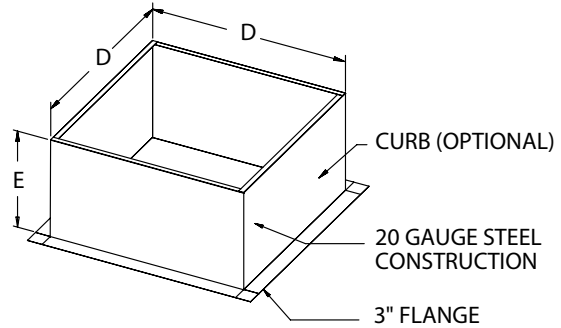
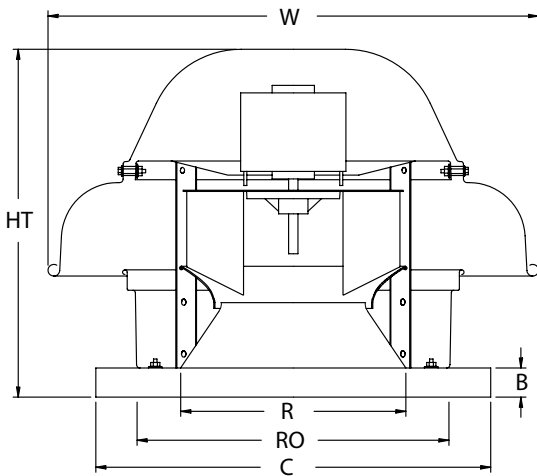
Accessories / Options

- Gravity dampers
- Motorized dampers
- Wall mount brackets
- Roof curb

CDD Direct Drive Downblast Fans provide quiet operation, within a weather-resistant spun aluminum housing. These commercial / light industrial fans are ideal for applications in schools, hospitals, office buildings, and much more.

CDD Performance

- See page 34



MODEL	DIMENSIONS IN INCHES*								WT (lbs)	DAMPER SQUARE	MANUFACTURE CODE
	HT	W	B	C	D	E	R	RO			
CDD-10	14.5	20.8	2	19.0	17.5	12	8.1	13	30	12	DR10H
CDD-12	16.3	23.8	2	19.0	17.5	12	10.6	13	35	12	DR12H
CDD-30	19.1	26.3	2	21.0	19.5	12	12.1	16	45	15	DR30H
CDD-33	19.1	26.3	2	21.0	19.5	12	12.1	16	45	15	DR33H
CDD-50	21.8	29.8	2	21.0	19.5	12	13.3	16	50	15	DR50H
CDD-85	23.4	33.3	2	24.8	23.0	12	14.9	20	60	19	DR85H

*DO NOT USE FOR CONSTRUCTION

CONSULT FACTORY FOR CERTIFIED PRINTS

CUD DIRECT DRIVE UPBLAST FANS



CUD Direct Drive Upblast Exhaust Fans are designed to discharge contaminated exhaust air away from roof surfaces and building walls. Available in UL762 Restaurant Exhaust Kits, CUD fans are suitable for commercial range hood exhaust and much more.

Features & Benefits

- Suitable for roof or wall mount
- Backward inclined, non-overloading wheels
- Spun aluminum housing for weather-resistant durability
- Fully enclosed drive compartment protects motor from airborne contaminants
- Fully ventilated motor cooling compartment for long motor life
- Quick release latches for easy access to motor compartment
- Blades and inlets fabricated from aluminum
- Variable speed control (standard on single phase units only)
- Disconnect switch
- Fully welded leak-proof grease drain (except for model CUD-10)
- 300 F max. temperature rating (except for model CUD-10)
- Available in 115V 1 phase, contact factory for EC motors

Accessories / Options

- Gravity and motorized dampers
- Wall mount brackets
- Roof curb (vented or non-vented)
- Bird screen

Restaurant Exhaust Kits (UL762)

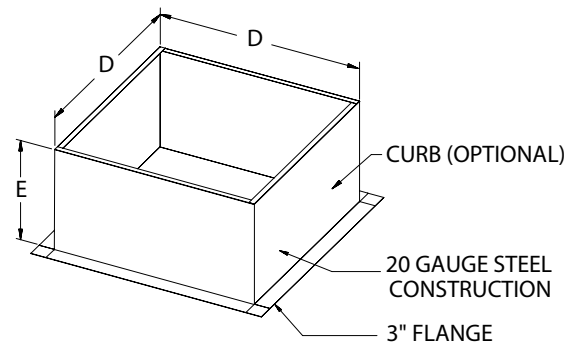
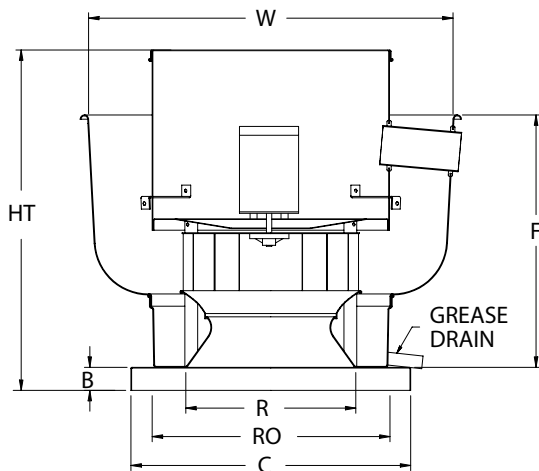
Kits include the following:

- Grease cup
- Grease pipe
- Down spout
- Hinge kit

Note: Restaurant exhaust (UL762) requires the use of a vented roof curb. Select 20" high roof curbs are available.

CUD Performance

- See page 34



DIMENSIONS IN INCHES*

MODEL	HT	W	B	C	D	E	F	R	RO	WT (lbs)	DAMPER SQUARE	MANUFACTURE CODE
CUD-10	14.5	17.8	2	19.0	17.5	12	9.5	8.1	13	30	12	DU10H
CUD-12	18.0	22.0	2	19.0	17.5	12	14.5	10.6	13	40	12	DU12H
CUD-30	25.3	25.5	2	21.0	19.5	12	18.5	12.1	16	50	15	DU30H
CUD-33	25.3	25.5	2	21.0	19.5	12	18.5	12.1	16	50	15	DU33H
CUD-50	27.3	28.9	2	21.0	19.5	12	21.5	13.3	16	55	15	DU50H
CUD-85	30.5	31.9	2	24.8	23.0	12	23.0	14.9	20	60	19	DU85H

*DO NOT USE FOR CONSTRUCTION

CONSULT FACTORY FOR CERTIFIED PRINTS

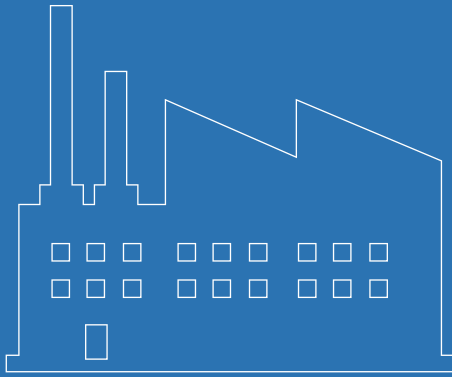
ROOF & WALL EXHAUST FANS

CDD Direct Drive Downblast Fans

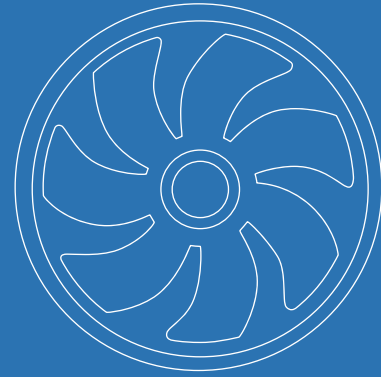
PERFORMANCE																														
MODEL	CFM	0" SP		0.125" SP		0.25" SP		0.375" SP		0.50" SP		0.625" SP		0.75" SP		0.875" SP		1.00" SP		1.125" SP		1.25" SP		1.5" SP		1.75" SP				
		RPM	BHP	RPM	BHP	RPM	BHP	RPM	BHP	RPM	BHP	RPM	BHP	RPM	BHP	RPM	BHP	RPM	BHP	RPM	BHP	RPM	BHP	RPM	BHP	RPM	BHP	RPM	BHP	
CDD-10	250	786	0.01	1008	0.02	1196	0.03	1374	0.05	1534	0.07																			
	350	1097	0.03	1268	0.04	1417	0.06	1556	0.07																					
	450	1411	0.06	1546	0.07																									
CDD-12	400	639	0.01	839	0.03	1000	0.04	1143	0.07	1266	0.09	1384	0.12	1493	0.15	1594	0.18													
	600	957	0.04	1101	0.06	1230	0.08	1345	0.11	1449	0.14	1550	0.17																	
	800	1274	0.09	1384	0.12	1490	0.15	1587	0.18																					
	1000	1592	0.18																											
CDD-30	800	926	0.05	1051	0.07	1163	0.09	1258	0.12	1345	0.14	1423	0.17	1495	0.19	1566	0.22													
	1000	1157	0.09	1259	0.12	1355	0.14	1443	0.17	1522	0.20	1595	0.24																	
	1200	1389	0.16	1474	0.19	1556	0.22																							
	1400	1618	0.25																											
CDD-33	600	731	0.03	882	0.05	1014	0.07	1124	0.10	1220	0.12	1307	0.15	1389	0.18	1467	0.22	1538	0.25	1609	0.29	1676	0.32							
	800	974	0.06	1088	0.09	1201	0.12	1301	0.15	1391	0.19	1473	0.22	1547	0.26	1619	0.29	1688	0.33											
	1000	1217	0.12	1307	0.15	1401	0.19	1490	0.23	1572	0.27	1650	0.31																	
	1200	1460	0.21	1535	0.25	1613	0.29	1690	0.33																					
CDD-50	1000	666	0.03	792	0.06	895	0.08	986	0.11	1068	0.14	1144	0.17	1214	0.21	1282	0.25	1346	0.28	1406	0.32	1464	0.37							
	1400	931	0.09	1026	0.13	1112	0.16	1188	0.20	1259	0.23	1325	0.27	1388	0.31	1448	0.35	1504	0.40	1559	0.44	1611	0.49							
	1800	1197	0.20	1273	0.24	1344	0.28	1410	0.33	1472	0.37	1531	0.42	1586	0.46															
	2200	1463	0.36	1524	0.41	1586	0.46																							
CDD-85	1500	705	0.06			893	0.13			1038	0.20			1161	0.29			1271	0.38			1372	0.47	1466	0.58	1556	0.69			
	1900	892	0.13			1049	0.21			1180	0.30			1293	0.39			1394	0.50			1488	0.60	1575	0.71					
	2300	1080	0.23			1212	0.33			1331	0.43			1436	0.54			1529	0.65											
	2700	1268	0.37			1382	0.48			1488	0.60			1585	0.73															
	3100	1455	0.56			1555	0.69																							

CUD Direct Drive Upblast Fans

PERFORMANCE																												
MODEL	CFM	0" SP		0.125" SP		0.250" SP		0.375" SP		0.50" SP		0.625" SP		0.750" SP		0.875" SP		1" SP		1.250" SP		1.50" SP		1.750" SP		2.00" SP		
		RPM	BHP	RPM	BHP	RPM	BHP	RPM	BHP	RPM	BHP	RPM	BHP	RPM	BHP	RPM	BHP	RPM	BHP	RPM	BHP	RPM	BHP	RPM	BHP	RPM	BHP	RPM
CUD-10	250	755	0.01	969	0.02	1152	0.03	1309	0.04	1453	0.06	1582	0.08															
	300	906	0.01	1091	0.03	1255	0.04	1402	0.06	1531	0.07																	
	400	1205	0.04	1351	0.05	1481	0.07	1606	0.08																			
	500	1506	0.07																									
CUD-12	300	509	0.01	746	0.02	940	0.04	1103	0.06	1245	0.08	1370	0.11	1478	0.14	1587	0.18											
	500	846	0.03	1002	0.04	1142	0.07	1272	0.09	1393	0.12	1511	0.15	1613	0.18													
	700	1184	0.07	1304	0.10	1408	0.12	1509	0.15	1606	0.18																	
	900	1520	0.15																									
CUD-30	850	1071	0.05			1239	0.09			1396	0.14			1543	0.19													
	1050	1321	0.10			1460	0.15			1593	0.20																	
	1250	1572	0.17																									
CUD-33	700	857	0.04	974	0.06	1094	0.09	1199	0.12	1292	0.15	1375	0.18	1452	0.21	1525	0.24	1595	0.28									
	900	1102	0.09	1189	0.11	1286	0.14	1380	0.18	1466	0.21	1544	0.25	1619	0.29													
	1100	1346	0.17	1416	0.19	1493	0.23	1574	0.27																			
	1300	1591	0.27																									
CUD-50	1200	915	0.09			1117	0.16			1277	0.24			1418	0.32			1548	0.42									
	1500	1143	0.17			1315	0.26			1455	0.35			1582	0.45													
	1800	1372	0.29			1519	0.40																					
	2100	1601	0.46																									
CUD-85	1200	582	0.04			773	0.09			917	0.15			1041	0.22			1152	0.30	1254	0.39	1348	0.49	1435	0.59	1517	0.69	
	1600	776	0.09			928	0.16			1057	0.23			1167	0.32			1267	0.40	1359	0.50	1445	0.60	1527	0.71			
	2000	969	0.18			1093	0.26			1208	0.35			1309	0.45			1401	0.55	1485	0.65							
	2400	1163	0.31			1266	0.40			1368	0.51			1461	0.62			1545	0.73									
	2800	1357	0.50			1445	0.60			1533	0.72																	
	3200	1550	0.74																									



***Industrial Fans
& Blowers***



***OEM Solutions
& Custom Fans***



***Commercial Fans
& Dampers***



***Residential Fans &
Air Purifiers***



Wholesale Ventilation Products

Continental Fan Manufacturing Inc.
Buffalo, NY ~ Dayton, OH

Continental Fan Canada Inc.
Mississauga, ON

www.continentalfan.com
1-800-779-4021

Distributed by:

