

# ENERGY RECOVERY VENTILATORS

## ECO-FLO ENERGY RECOVERY VENTILATOR

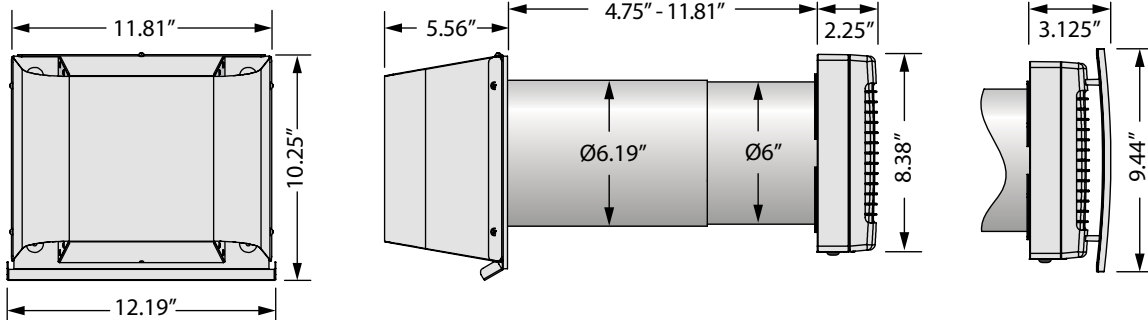


The ECO-FLO Energy Recovery Ventilator (ERV) is the all-in-one ventilation solution for new construction and renovation projects involving homes, apartments, or commercial buildings. The ERV core extracts thermal energy and moisture from the exhausted air, and uses it to pre-treat the incoming supply air.

### Features & Benefits

- Extracts stale indoor air
- Recovers thermal energy from extracted air
- Supplies fresh, pre-treated air
- Maintains a comfortable humidity setting
- Moisture damage prevention
- Lowers heating and cooling costs throughout the year
- Low energy demand (7 W)
- Quiet operation (as low as 0.2 SONES)
- Multifunctional wireless remote control
- Plug-&-Play installation
- Air purification (MERV 5)
- Rated for continuous operation
- Maximum 500 square feet ventilation applications w/one unit
- Ventilate entire home or commercial building w/ multiple units
- Operate units independently or wired for primary-secondary operation

### Controls & Accessories ~ pages 24-25



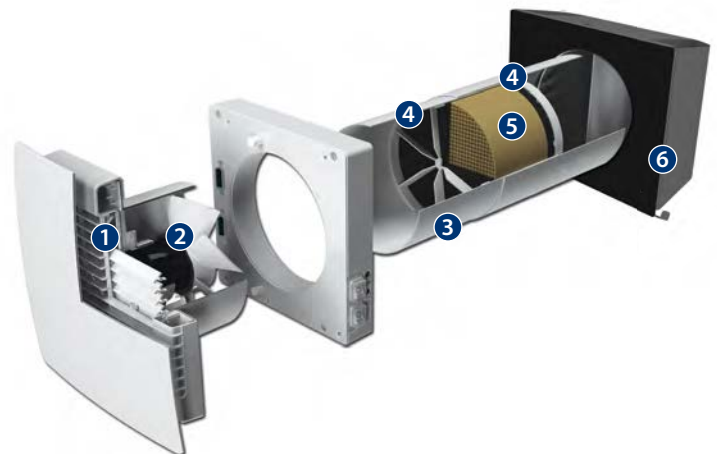
### PERFORMANCE

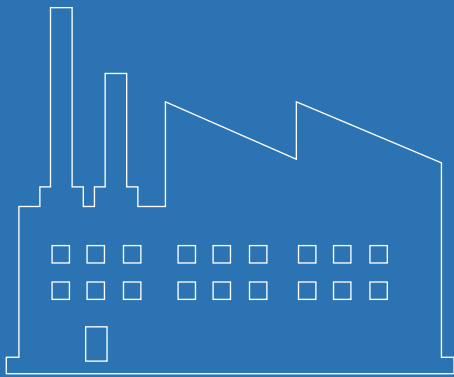
| MODEL   | MANUFACTURE CODE | THERMAL RECOVERY | PERFORMANCE |      |            |       |       |     | TRANSPORTED AIR TEMP. (F) | POWER SUPPLY            |
|---------|------------------|------------------|-------------|------|------------|-------|-------|-----|---------------------------|-------------------------|
|         |                  |                  | SPEED       | RPM  | SONES @ 3M | WATTS | AMPS  | CFM |                           |                         |
| ECO-FLO | RA1-50-2         | 88%              | LOW         | 610  | 0.2        | 4.50  | 0.024 | 12  | FROM -4<br>UP TO 104      | 120V<br>60Hz<br>1 Phase |
|         |                  |                  | MED         | 800  | 0.4        | 5.00  | 0.026 | 21  |                           |                         |
|         |                  |                  | HIGH        | 1450 | 0.5        | 7.00  | 0.039 | 30  |                           |                         |

IP24 PROTECTION

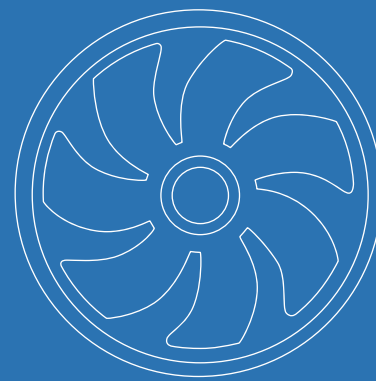
### ECO-FLO Construction

1. Front grille with automatic shutter
  - Easy access for filter cleaning or replacement
  - Made of high quality snow-white ABS plastic
2. Reversible axial fan
  - Reversible DC ball bearing motor
  - Integrated overheating protection
3. Telescopic duct
  - 6" diameter
  - Suitable for walls of varying thickness
4. Air filters (MERV 5)
  - Two filters provide air free of dust and pollen
  - Filters are washable for easy maintenance
5. ERV core
  - Recovery efficiency of 88% @32 F
  - Anti-bacterial treatment
6. Exterior-mounted hood
  - Stainless steel
  - Corrosion proof





***Industrial Fans  
& Blowers***



***OEM Solutions  
& Custom Fans***



***Commercial Fans  
& Dampers***



***Residential Fans &  
Air Purifiers***



# Wholesale Ventilation Products

Continental Fan Manufacturing Inc.  
Buffalo, NY ~ Dayton, OH

Continental Fan Canada Inc.  
Mississauga, ON

[www.continentalfan.com](http://www.continentalfan.com)  
1-800-779-4021

Distributed by:

