

AC MOTORIZED IMPELLERS

TMA CENTRIFUGAL IMPELLERS (AC) - 1 PHASE

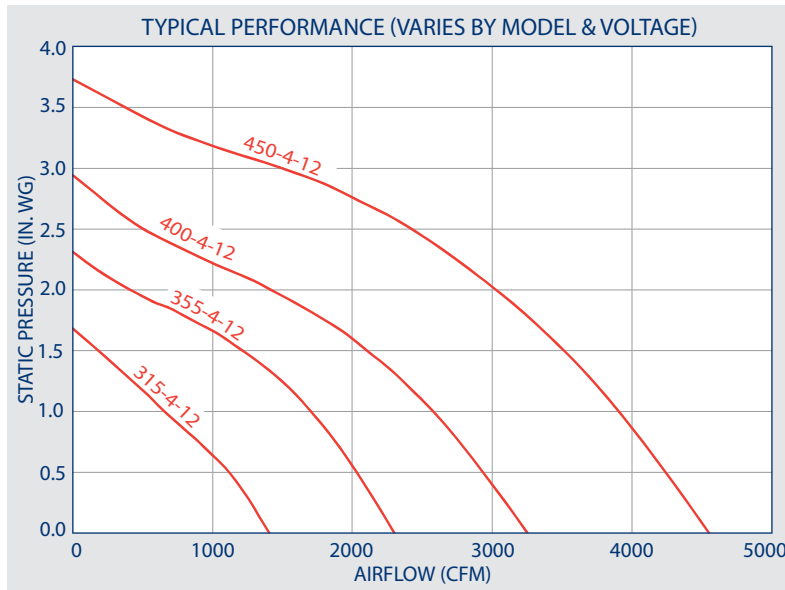


FEATURES & BENEFITS

- High efficiency: ErP qualified at 50 Hz
- AC external rotor motor
- Matching capacitors available
- Dual frequency motor (50 Hz & 60 Hz)
- Capacities to 4,552 cfm
- UL & CE approved

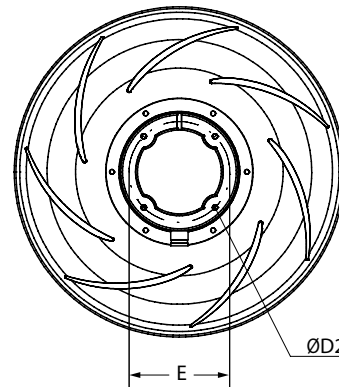
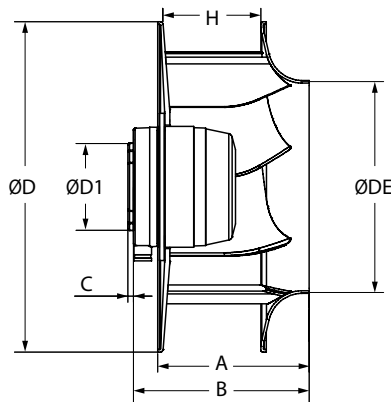
APPLICATIONS

- Military HRAC
- Clean room modules
- Electronic cabinet cooling
- Air filtration
- Heat exchangers
- Pharmaceutical equipment



230V - 1 PHASE			60 Hz PERFORMANCE			
PART NUMBER	CFM	RPM	WATTS	CFM/W	CAPACITOR	AMPS
TMA315-4-12	1404	1480	215	9.4	3 X 400V	1.0
TMA355-4-12	2299	1585	480	6.6	6 X 400V	2.1
TMA400-4-12	3252	1440	830	5.2	12 X 400V	3.7
TMA450-4-12	4552	1595	1430	4.4	20 X 400V	6.2

FOR OTHER VOLTAGES, CONSULT FACTORY.
ACTUAL PERFORMANCE MAY VARY BY APPLICATION.



MODEL	DIMENSIONS IN INCHES*									
	A	B	C	D	D1	D2	DE	E	H	
TMA315-4	5.6	6.5	0.1	13.3	3.0	M6/4 X 90	8.3	3.5	3.5	
TMA355-4	6.8	7.9	0.3	14.8	3.9	M6/4 X 90	9.3	4.5	4.4	
TMA400-4	7.6	8.6	0.3	16.7	3.9	M6/4 X 90	10.5	4.5	4.9	
TMA450-4	8.4	9.7	0.2	18.8	5.5	M10/4 X 90	11.7	6.4	5.4	

*DO NOT USE FOR CONSTRUCTION

CONSULT FACTORY FOR CERTIFIED PRINTS

TMA CENTRIFUGAL IMPELLERS (AC) - 3 PHASE

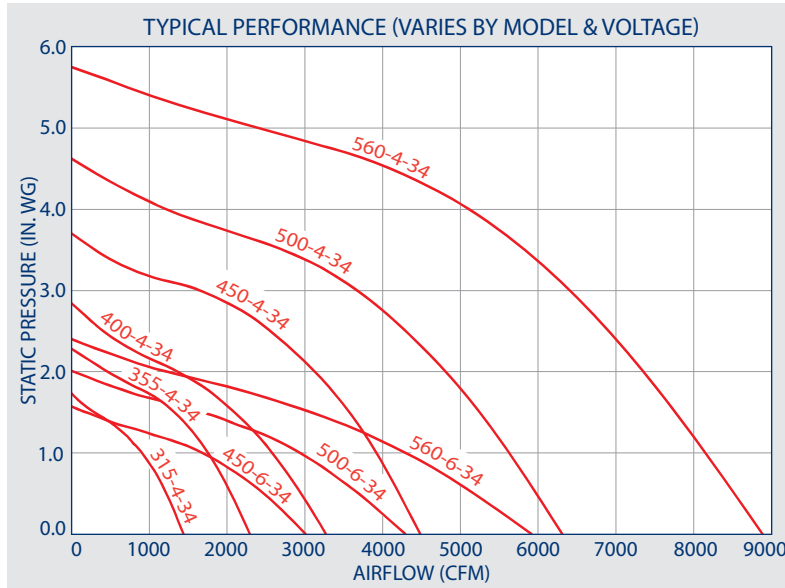
FEATURES & BENEFITS

- High efficiency: ErP qualified at 50 Hz
- AC external rotor motor
- Dual frequency motor (50 Hz & 60 Hz)
- Capacities to 8,886 cfm
- UL & CE approved



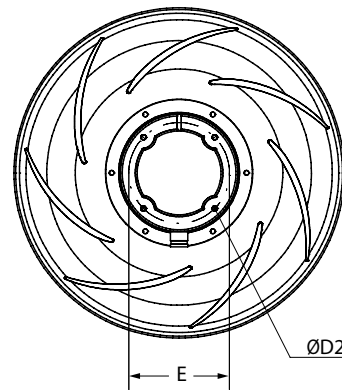
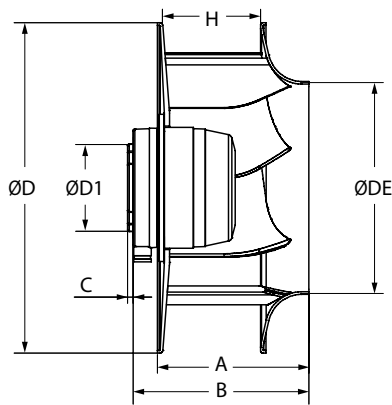
APPLICATIONS

- Military HRAC
- Air filtration
- Clean room modules
- Heat exchangers
- Electronic cabinet cooling
- Pharmaceutical equipment



460V - 3 PHASE			60 Hz PERFORMANCE		
PART NUMBER	CFM	RPM	WATTS	CFM/W	AMPS
TMA315-4-34	1437	1620	225	9.0	0.4
TMA355-4-34	2292	1635	480	6.5	0.8
TMA400-4-34	3270	1550	770	5.9	1.2
TMA450-4-34	4483	1640	1400	4.5	2.2
TMA450-6-34	3008	1050	420	9.7	0.7
TMA500-4-34	6309	1630	2300	3.9	3.6
TMA500-6-34	4294	1045	680	8.9	1.2
TMA560-4-34	8886	1675	4190	2.9	6.3
TMA560-6-34	5917	1005	1090	7.7	1.9

FOR OTHER VOLTAGES, CONSULT FACTORY.
ACTUAL PERFORMANCE MAY VARY BY APPLICATION.



MODEL	DIMENSIONS IN INCHES*								
	A	B	C	D	D1	D2	DE	E	H
TMA315-4	5.6	6.5	0.1	13.3	3.0	M6/4 X 90	8.3	3.5	3.5
TMA355-4	6.8	7.9	0.3	14.8	3.9	M6/4 X 90	9.3	4.5	4.4
TMA400-4	7.6	8.6	0.3	16.7	3.9	M6/4 X 90	10.5	4.5	4.9
TMA450-4	8.4	9.7	0.2	18.8	5.5	M10/4 X 90	11.7	6.4	5.4
TMA450-6	8.4	9.2	0.3	18.8	3.9	M6/4 X 90	11.7	4.5	5.4
TMA500-4	9.4	10.6	0.2	21.0	5.5	M10/4 X 90	13.2	6.4	6.1
TMA500-6	9.4	10.6	0.2	21.0	5.5	M10/4 X 90	13.2	6.4	6.1
TMA560-4	10.6	12.2	0.3	23.4	6.3	M12/8 X 45	14.8	7.5	6.9
TMA560-6	10.6	11.9	0.2	23.4	5.5	M10/4 X 90	14.8	6.4	6.9

*DO NOT USE FOR CONSTRUCTION

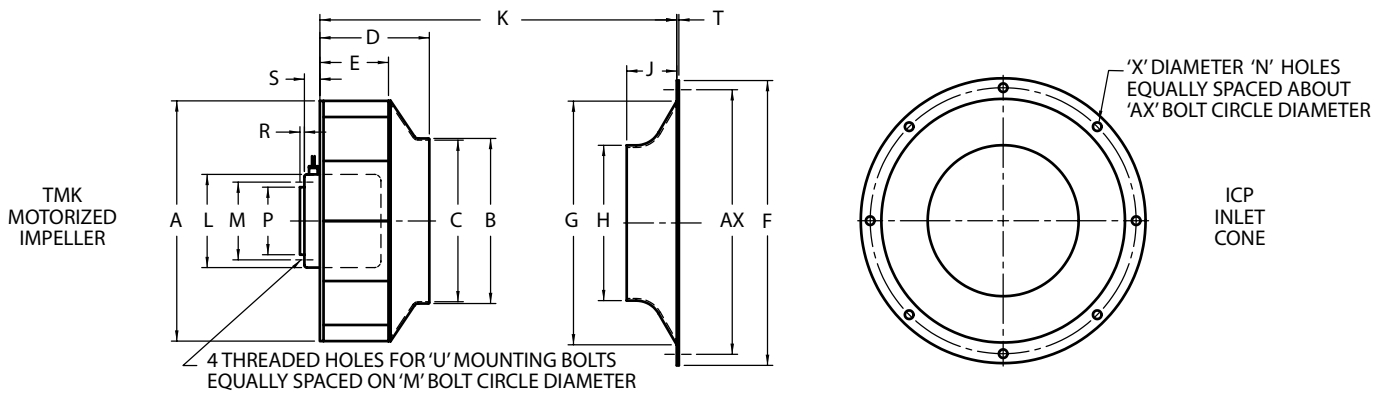
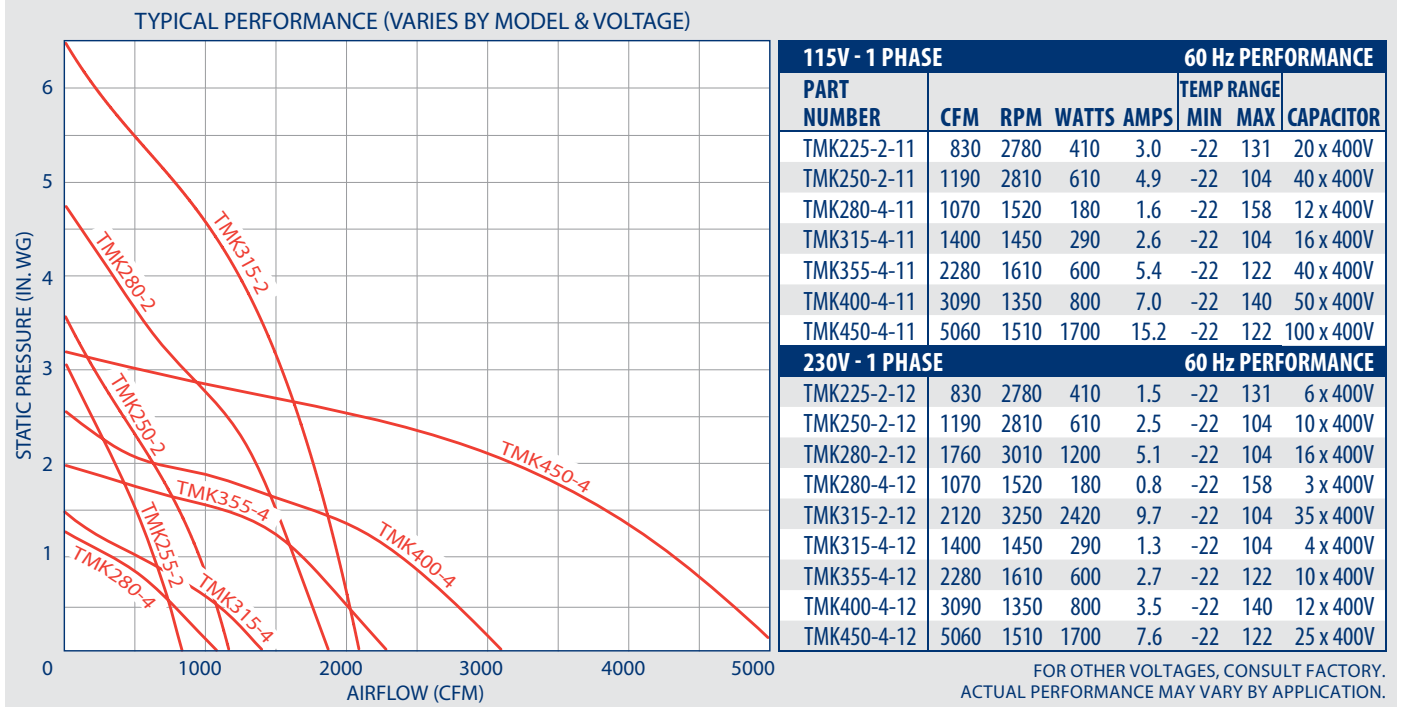
CONSULT FACTORY FOR CERTIFIED PRINTS

AC MOTORIZED IMPELLERS

TMK CENTRIFUGAL IMPELLERS (AC)

FEATURES & BENEFITS

- Available from stock in single or three phase voltages
- Highly efficient airfoil 'TEK' impeller
- Dual frequency motor (50 Hz & 60 Hz)
- Matching capacitors and inlet cones available
- Available housed or non-housed
- Capacities to 5,060 cfm
- UL & CE approved



MODEL	DIMENSIONS IN INCHES*																				
	A	B	C	D	E	F	G	H	J	K	L	M	N	P	R	S	T	U	X	AX	WT (lbs)
TMK225-2	8.8	6.1	5.8	4.1	2.6	11.0	8.9	5.7	1.8	5.6	4.1	3.5	6	3.0	0.2	1.1	0.1	M6 x 10	0.4	10.1	9
TMK250-2	9.8	6.8	6.5	4.5	2.9	12.0	10.0	6.3	2.1	6.2	5.4	4.5	6	4.0	0.3	1.4	0.1	M6 x 16	0.4	11.1	14
TMK280-2	11.0	7.6	7.4	5.0	3.3	13.7	11.4	7.1	2.3	7.0	5.4	4.5	6	4.0	0.3	1.4	0.1	M6 x 16	0.5	12.6	22
TMK280-4	11.0	7.6	7.4	5.0	3.3	13.7	11.4	7.1	2.3	7.0	4.1	3.5	6	3.0	0.2	1.3	0.1	M6 x 10	0.5	12.6	8
TMK315-2	12.3	8.5	8.2	5.5	3.5	15.0	12.6	8.0	2.6	7.7	7.4	6.4	6	5.5	0.3	1.9	0.1	M10 x 20	0.5	14.0	33
TMK315-4	12.3	8.5	8.2	5.5	3.5	15.0	12.6	8.0	2.6	7.7	4.1	3.5	6	3.0	0.2	1.3	0.1	M6 x 10	0.5	14.0	11
TMK355-4	14.0	9.6	9.3	6.4	4.3	16.6	14.2	9.0	2.9	8.6	5.4	4.5	8	4.0	0.3	1.4	0.1	M6 x 16	0.5	15.6	19
TMK400-4	15.6	10.6	10.2	6.9	4.5	18.3	16.0	9.8	3.3	9.6	5.4	4.5	8	4.0	0.3	1.4	0.2	M6 x 16	0.5	17.3	24
TMK450-4	17.7	12.1	11.6	7.7	5.1	20.2	17.3	11.2	3.7	10.8	7.4	6.4	8	5.5	0.3	1.9	0.2	M10 x 20	0.5	19.3	37

*DO NOT USE FOR CONSTRUCTION

CONSULT FACTORY FOR CERTIFIED PRINTS

RCM CENTRIFUGAL IMPELLERS (AC)

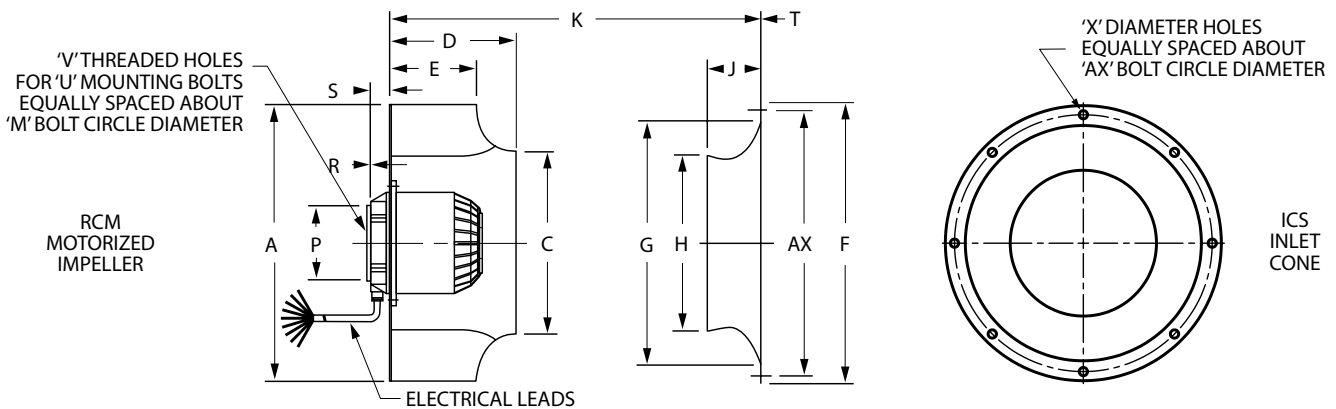
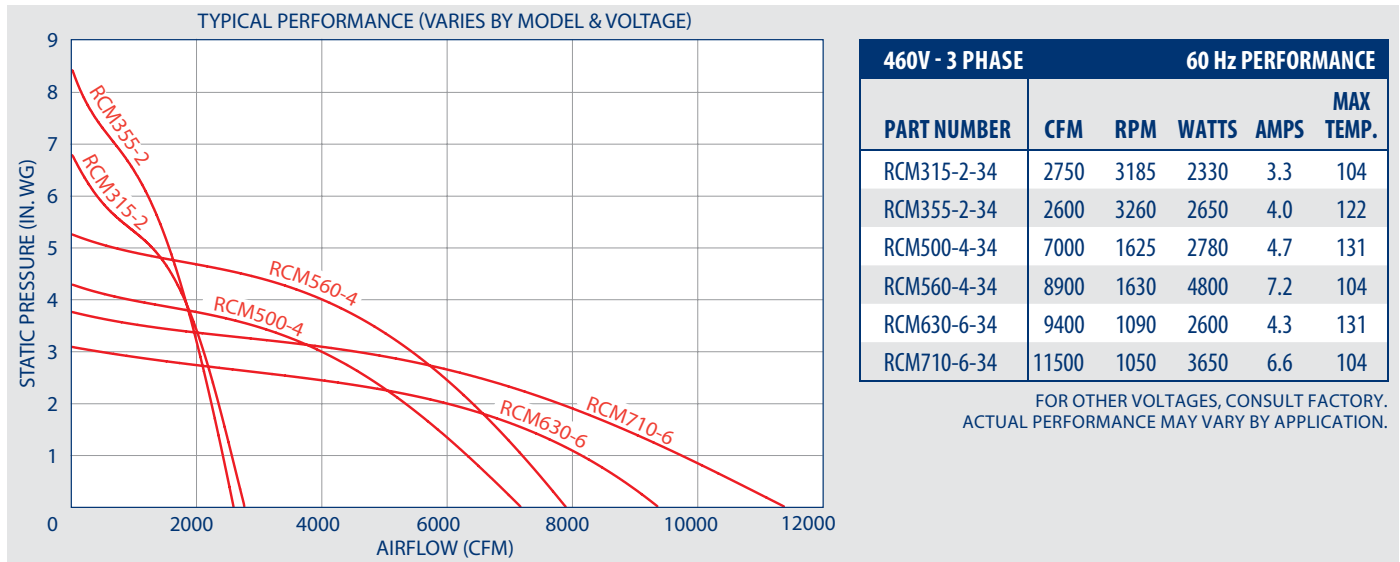
FEATURES & BENEFITS

- Available from stock in three phase voltages
- Efficient backward curved (BC) impellers
- Dual frequency motor (50 Hz & 60 Hz)
- IP54 motor construction, Class F insulation
- Available housed or non-housed
- Capacities to 11,500 cfm
- UL & CE approved



APPLICATIONS

- Military HRAC
- Air filtration
- Clean room modules
- Heat exchangers
- Electronic cabinet cooling
- Pharmaceutical equipment



DIMENSIONS SHOWN ARE FOR NON-HOUSED UNITS. CONSULT FACTORY FOR DIMENSIONS ON HOUSED UNITS.

MODEL	DIMENSIONS IN INCHES*																		
	A	C	D	E	F	G	H	J	K	M	P	R	S	T	U	V	X	AX	WT (lbs)
RCM315-2	12.6	8.2	5.8	3.9	15.0	12.6	8.0	2.6	8.2	6.4	5.5	0.2	1.9	0.1	M10	4	0.4	14.0	34
RCM355-2	14.1	9.3	5.2	3.1	16.6	14.2	9.1	2.9	7.8	6.4	5.5	0.2	1.9	0.1	M10	4	0.4	15.6	44
RCM500-4	20.1	13.3	9.2	6.1	20.4	17.7	12.2	3.9	12.7	6.4	5.5	0.3	1.4	0.1	M10	8	0.5	19.3	60
RCM560-4	22.4	14.8	10.3	6.8	22.2	19.7	13.7	4.1	14.1	7.5	6.3	0.3	1.6	0.1	M12	8	0.4	21.3	93
RCM630-6	25.2	16.7	11.5	7.7	25.2	22.1	15.4	4.5	15.3	7.5	6.3	0.3	1.6	0.1	M12	8	0.6	24.0	85
RCM710-6	28.3	18.7	11.5	7.3	27.9	24.8	17.2	5.3	16.4	7.5	6.3	2.8	1.3	0.1	M12	8	0.6	26.5	101

*DO NOT USE FOR CONSTRUCTION

CONSULT FACTORY FOR CERTIFIED PRINTS

AC MOTORIZED IMPELLERS

CMI CENTRIFUGAL IMPELLERS (AC)

FEATURES & BENEFITS

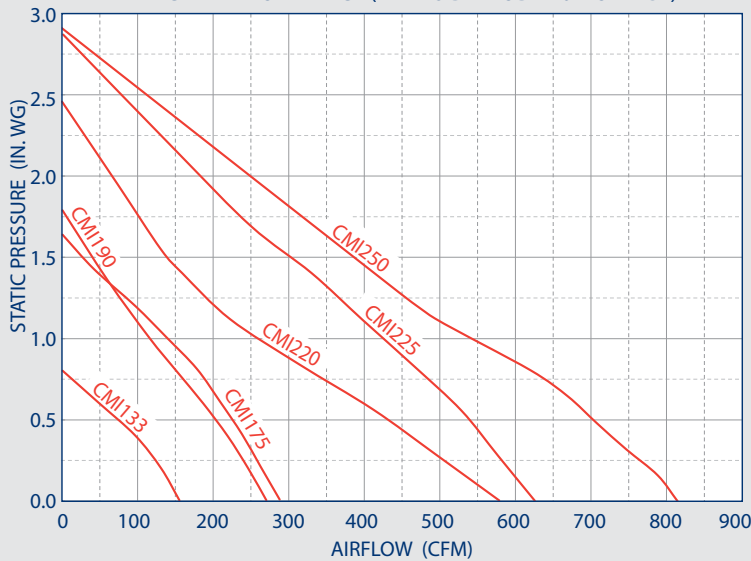
- 100% speed controllable
- Efficient backward curved impellers
- Compact design, superior performance
- Matching capacitors and inlet cones included
- Class F insulation; -30 to 60 C
- 115/230 VAC 50/60 Hz in stock
- Permissible ambient temperature range: -22 F to 140 F
- UL approved (select models)
- IP44 motor protection



APPLICATIONS

- Military HRAC
- Air filtration
- Clean room modules
- Heat exchangers
- Electronic cabinet cooling
- Pharmaceutical equipment

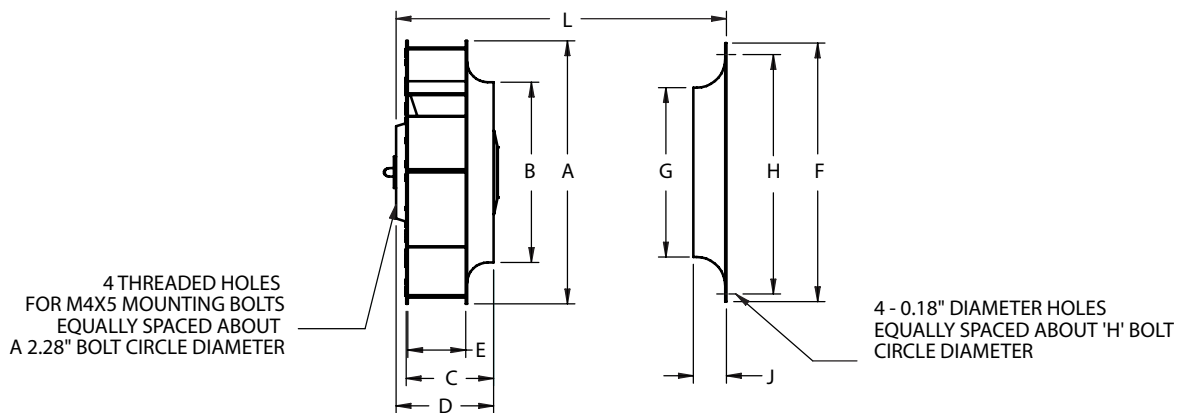
TYPICAL PERFORMANCE (VARIES BY MODEL & VOLTAGE)



115V - 1 PHASE				60 Hz PERFORMANCE		
PART NUMBER	CFM	RPM	WATTS	AMPS	dBa	CAPACITOR
*CMI133-2C10-11	156	3150	30	0.30	57	3 X 250V
CMI175-2C15-11	288	2970	62	0.50	65	6 X 250V
*CMI190-2C15-11	333	2740	80	0.70	70	8 X 250V
*CMI220-2C25-11	580	2800	120	1.00	73	10 X 250V
*CMI225-2C45-11	628	2870	200	1.80	76	20 X 250V
CMI250-2C45-11	812	2840	237	2.13	77	28 X 250V
230V - 1 PHASE				60 Hz PERFORMANCE		
CMI133-2C10-12	171	3240	33	0.10	57	1 X 400V
CMI175-2C15-12	246	2700	77	0.40	66	2.5 X 400V
*CMI190-2C15-12	272	2500	75	0.40	68	2.5 X 400V
*CMI220-2C25-12	530	2680	118	0.50	73	3 X 400V
*CMI225-2C45-12	695	2960	215	0.95	78	6 X 400V
CMI250-2C45-12	814	2850	240	1.10	77	7 X 400V

*UL APPROVED MODELS

FOR OTHER VOLTAGES, CONSULT FACTORY.
ACTUAL PERFORMANCE MAY VARY BY APPLICATION.



DIMENSIONS IN INCHES*

MODEL	A	B	C	D	E	F	G	H	J	L
CMI133-2C10	5.24	3.66	2.40	3.07	1.65	5.08	3.43	4.65	0.51	3.50
CMI175-2C15	6.89	5.20	2.48	2.70	1.77	6.69	4.94	6.22	0.55	3.17
CMI190-2C15	7.48	5.24	2.38	2.69	1.75	6.69	4.90	6.22	0.55	3.23
CMI220-2C25	8.74	6.26	2.51	2.76	1.75	9.96	5.98	9.65	0.79	3.47
CMI225-2C45	8.86	6.02	3.50	3.94	2.46	8.78	5.75	8.27	1.10	4.96
CMI250-2C45	9.84	6.81	3.03	3.90	1.97	10.04	6.40	9.00	1.18	5.00

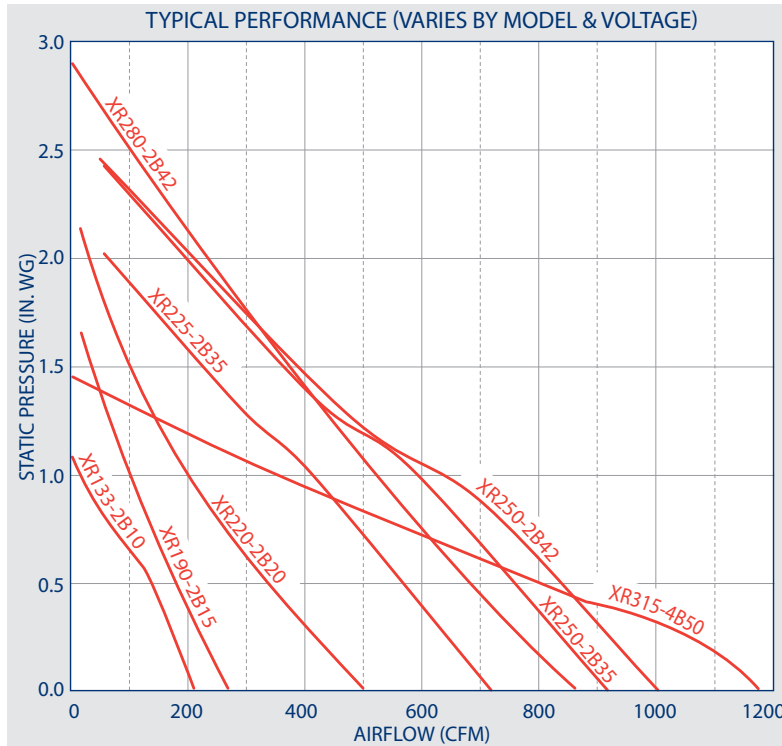
*DO NOT USE FOR CONSTRUCTION

CONSULT FACTORY FOR CERTIFIED PRINTS

XR CENTRIFUGAL IMPELLERS (AC)

FEATURES & BENEFITS

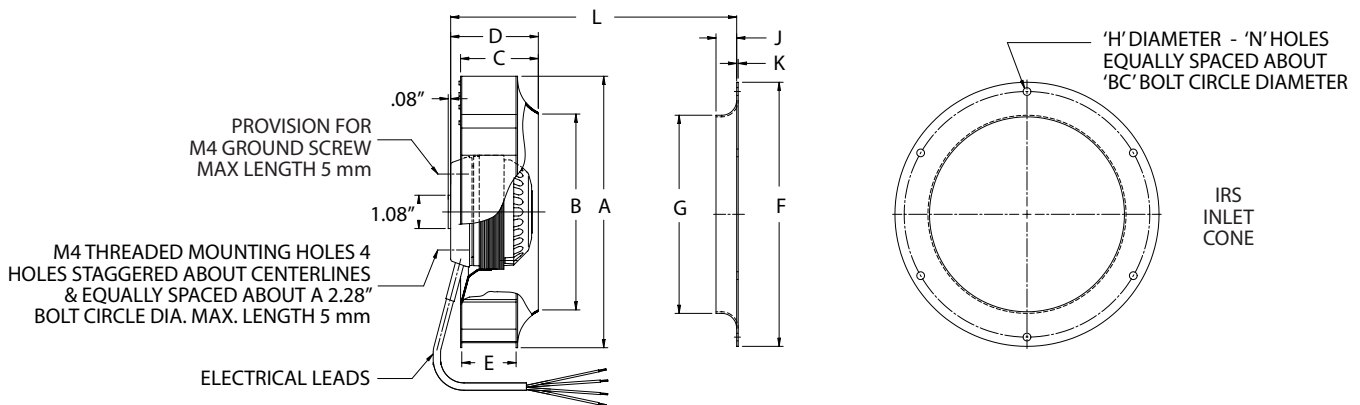
- Available from stock in 115V or 230V single phase
- Dual frequency motor (50 Hz & 60 Hz)
- Matching capacitors and inlet cones available
- Class F insulation
- Capacities to 1,175 cfm
- CSA & CE approved



115V - 1 PHASE					60 Hz PERFORMANCE		
PART NUMBER	CFM	RPM	WATTS	AMPS	TEMP. RANGE		CAPACITOR
					MIN	MAX	
XR133-2B10-11	210	3135	33	0.3	-40	158	4 X 250V
XR190-2B15-11	265	2615	75	0.7	-22	104	8 X 220V
XR220-2B20-11	500	2550	100	0.9	-22	104	10 X 220V
XR225-2B35-11	740	2700	190	1.7	-22	104	14 X 250V
XR250-2B35-11	886	2350	200	1.8	-22	158	16 X 250V
XR250-2B42-11	980	2515	280	2.4	-22	122	25 X 220V
XR280-2B42-11	860	2170	230	2.1	-22	104	30 X 220V
XR315-4B50-11	1175	1530	156	1.4	-40	140	16 X 250V

230V - 1 PHASE					60 Hz PERFORMANCE		
PART NUMBER	CFM	RPM	WATTS	AMPS	TEMP. RANGE		CAPACITOR
					MIN	MAX	
XR133-2B10-12	210	3135	28	0.1	-40	158	1 X 440V
XR190-2B15-12	265	2500	85	0.4	-22	104	2 X 440V
XR220-2B20-12	500	2725	120	0.5	-22	104	3 X 440V
XR225-2B35-12	720	2700	200	0.8	-22	113	4 X 500V
XR250-2B35-12	920	2630	250	1.0	-22	122	5 X 500V
XR250-2B42-12	1000	2575	270	1.2	-22	131	6 X 440V
XR280-2B42-12	860	2170	270	1.2	-22	104	8 X 440V
XR315-4B50-12	1175	1530	161	0.7	-40	158	4 X 500V

FOR OTHER VOLTAGES, CONSULT FACTORY.
ACTUAL PERFORMANCE MAY VARY BY APPLICATION.



MODEL	DIMENSIONS IN INCHES*												
	A	B	C	D	E	F	G	H	J	K	N	L	BC
XR133-2B10	5.3	3.5	2.4	3.5	1.6	5.1	3.5	0.18	0.3	0.04	4	3.8	4.7
XR190-2B15	7.5	5.1	2.4	2.7	1.8	6.7	4.9	0.20	0.5	0.04	6	3.1	6.2
XR220-2B20	8.7	6.3	2.5	2.8	1.7	9.9	6.1	0.20	0.7	0.04	6	3.4	9.7
XR225-2B35	8.9	6.3	3.0	3.3	2.0	8.8	5.8	0.20	1.1	0.04	6	4.2	8.3
XR250-2B35	9.9	6.9	3.2	3.5	2.0	10.0	6.5	0.20	1.2	0.04	6	4.4	9.4
XR250-2B42	9.9	6.9	3.4	3.9	2.2	10.0	6.5	0.20	1.2	0.04	6	5.0	9.4
XR280-2B42	11.1	7.5	3.2	3.9	2.0	11.0	7.2	0.20	1.3	0.04	6	5.1	10.3
XR315-4B50	12.4	7.9	5.0	6.0	3.9	11.8	7.6	0.31	2.1	0.05	6	8.1	11.3

*DO NOT USE FOR CONSTRUCTION

CONSULT FACTORY FOR CERTIFIED PRINTS

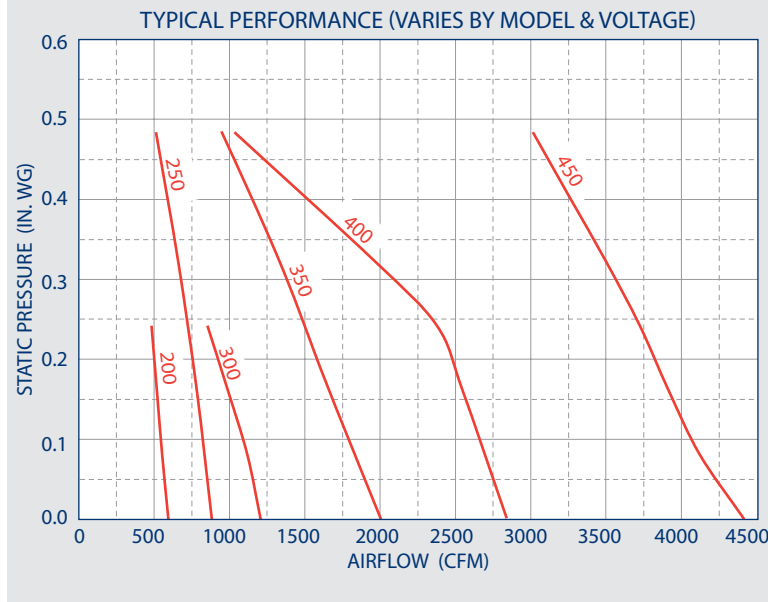
AC MOTORIZED IMPELLERS

DXG & DXP MOTORIZED AXIAL FANS (AC)



FEATURES & BENEFITS

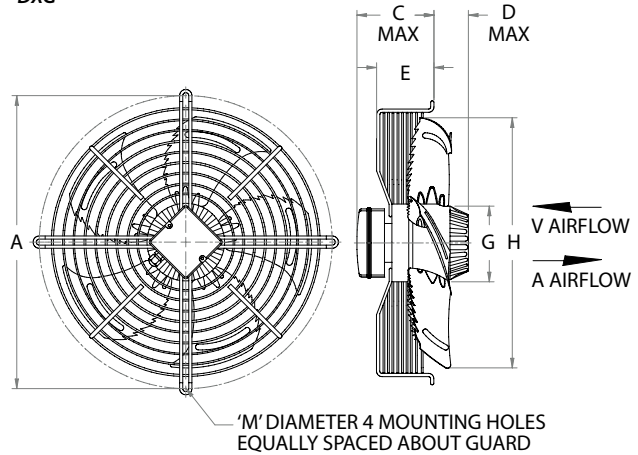
- Excellent air and sound performance characteristics
- 100% speed controllable
- Easily accessible junction box with pre-wired capacitor
- Class F insulation; -30 to 60 C
- Single and three phase available
- UL approved (select models)
- RoHS compliant
- Capacities to 4,709 cfm



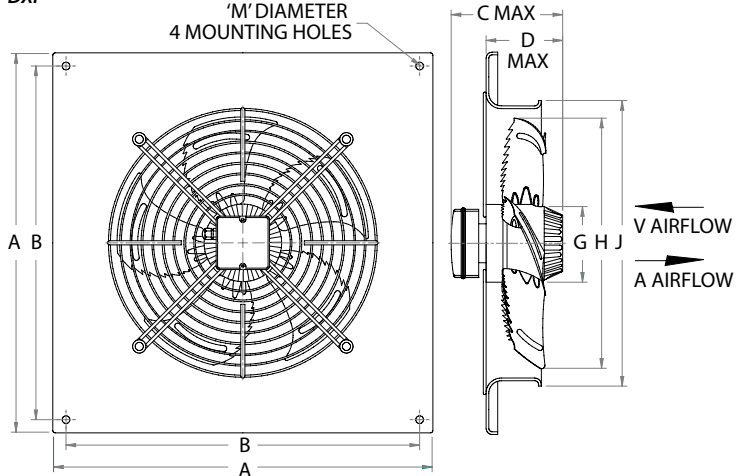
115V - 1 PHASE			60 Hz PERFORMANCE			
PART NUMBER	CFM	RPM	WATTS	AMPS	dBA	CAPACITOR
DX_200-2AC-11	589	3000	67	0.6	64	8 X 250V
DX_250-2AC-11	859	2750	120	1.0	66	10 X 250V
DX_300-2AC-11	1089	2500	150	1.3	63	16 X 250V
DX_350-4AC-11	2000	1550	230	1.9	66	18 X 250V
DX_400-4AC-11	2583	1500	360	3.0	68	22 X 250V
230V - 1 PHASE			60 Hz PERFORMANCE			
*DX_200-2AC-12	594	3050	80	0.4	64	2 X 500V
*DX_250-2AC-12	883	2750	130	0.6	68	3 X 500V
*DX_300-2AC-12	1207	2600	155	0.7	62	4 X 500V
DX_350-4AC-12	2000	1550	250	1.2	64	6 X 500V
DX_400-4AC-12	2835	1500	370	1.7	68	7 X 500V
DX_450-4AC-12	4414	1600	725	3.3	76	16 X 500V

*UL APPROVED MODELS
 INSERT G OR P AS REQUIRED ().
 FOR OTHER VOLTAGES, CONSULT FACTORY.
 ACTUAL PERFORMANCE MAY VARY BY APPLICATION.

DXG



DXP



AIRFLOW DIRECTION TO BE INDICATED BY CUSTOMER.

MODEL	DIMENSIONS IN INCHES*							ROTATION
	A	C	D	E	G	H	M	
DXG200-2AC	10.2	4.1	1.3	2.6	3.6	7.9	0.3	CW
DXG250-2AC	12.7	4.6	0.8	3.0	3.6	9.8	0.3	CW
DXG300-2AC	14.2	4.3	1.5	3.1	3.6	11.6	0.3	CW
DXG350-4AC	16.6	4.8	2.6	3.1	4.0	13.8	0.4	CCW
DXG400-4AC	18.5	4.9	2.8	3.5	4.0	15.7	0.4	CW
DXG450-4AC	20.6	5.2	2.6	3.5	4.0	17.7	0.4	CW

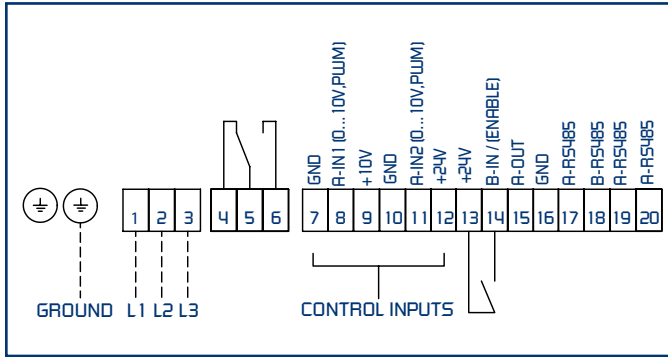
*DO NOT USE FOR CONSTRUCTION

MODEL	DIMENSIONS IN INCHES*								ROTATION
	A	B	C	D	G	H	J	M	
DXP200-2AC	12.2	10.2	5.2	2.8	3.6	7.9	9.1	0.3	CW
DXP250-2AC	14.6	12.6	5.6	3.2	3.6	9.8	11.0	0.3	CW
DXP300-2AC	16.9	15.0	6.0	3.6	3.6	11.8	13.2	0.4	CW
DXP350-4AC	19.1	17.1	7.4	4.1	4.0	13.8	15.0	0.4	CCW
DXP400-4AC	21.3	19.3	7.7	4.7	4.0	15.7	16.9	0.4	CW
DXP450-4AC	22.6	20.5	7.8	3.3	4.0	17.7	18.9	0.4	CW

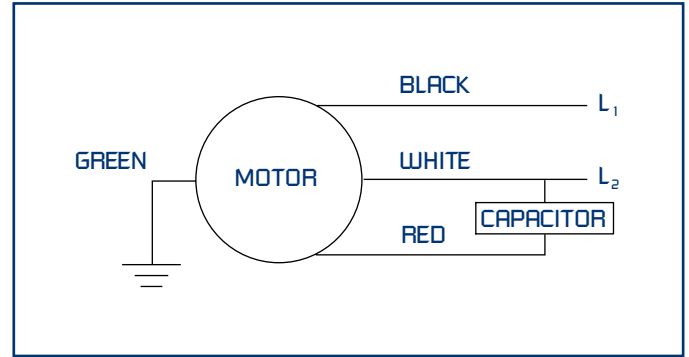
CONSULT FACTORY FOR CERTIFIED PRINTS

WIRING DIAGRAMS

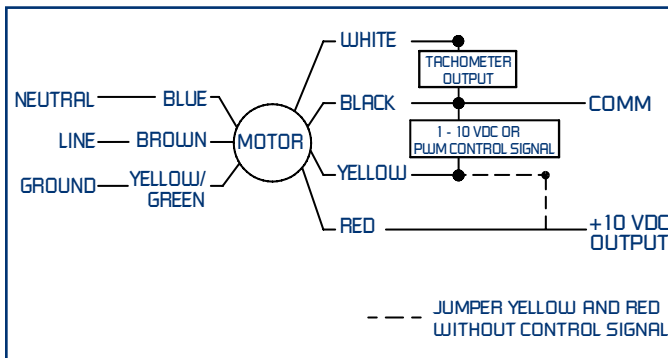
TME, CEC (3 PHASE)



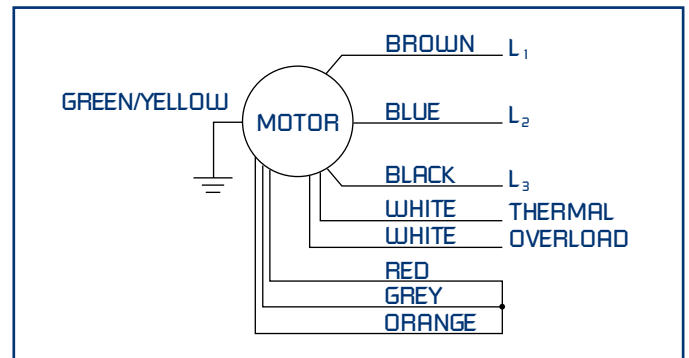
XR



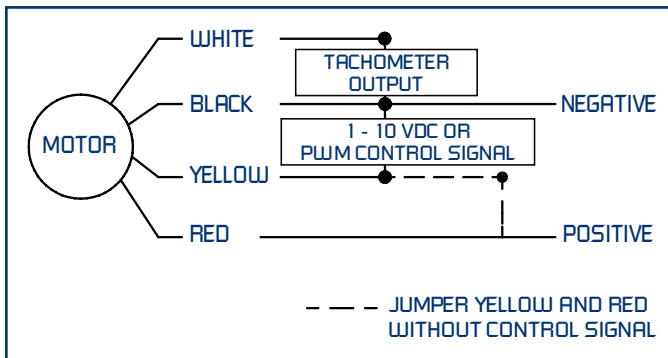
EC, DXG-EC, DXP-EC



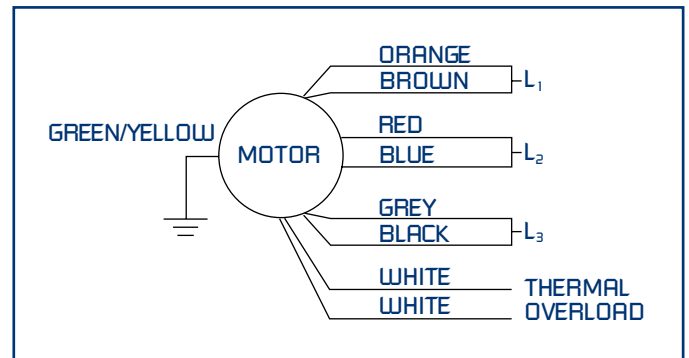
TMA, TMK, RCM (460V, 3 PHASE)



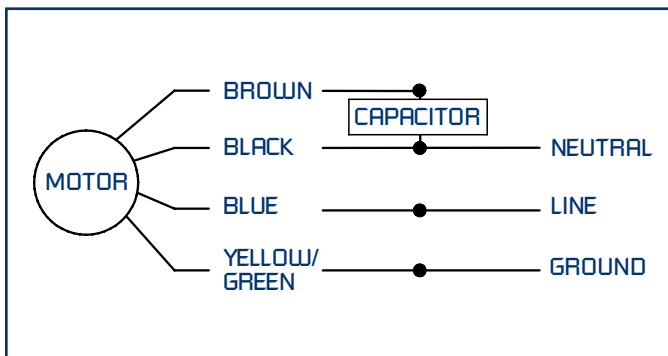
DC, DXG-DC, DXP-DC



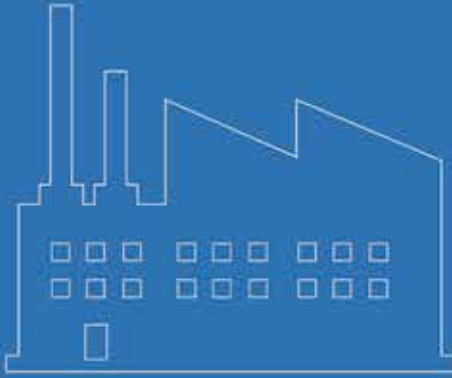
TMA, TMK, RCM (230V, 3 PHASE)



CMI, DXG-AC, DXP-AC



WIRING DIAGRAMS ARE TYPICAL, CONSULT FACTORY FOR ACTUAL PRODUCT WIRING DIAGRAMS.



***Industrial Fans
& Blowers***



***OEM Solutions
& Custom Fans***



***Commercial Fans
& Dampers***



***Residential Fans &
Air Purifiers***



OEM Solutions & Custom Fans

Continental Fan Manufacturing Inc.
Buffalo, NY ~ Dayton, OH

Continental Fan Canada Inc.
Mississauga, ON

continentalfan.com
1-800-779-4021

