

AIDC CONTRA-ROTATING FANS

FEATURES & BENEFITS

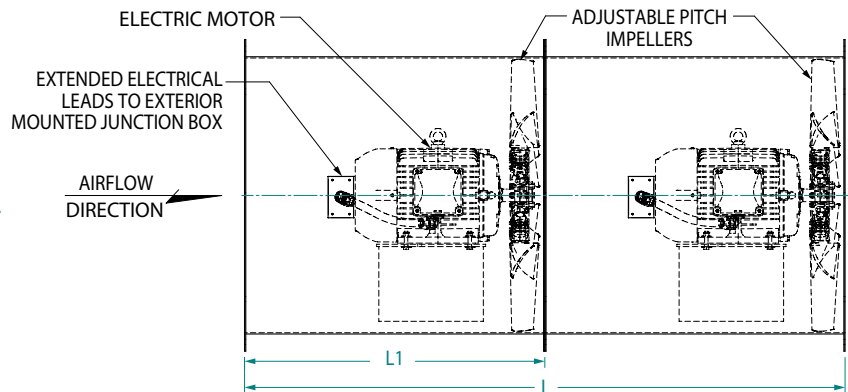
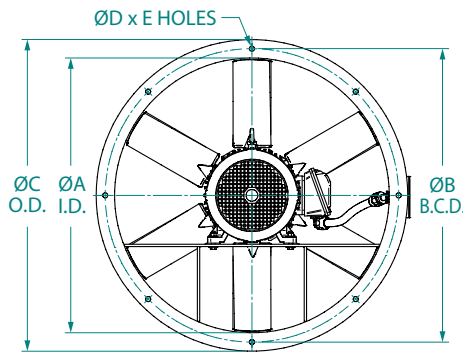
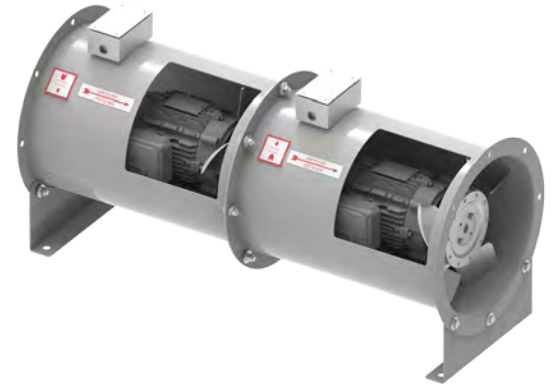
- Two-stage, contra-rotating fan
- Develops 2.4 times more pressure than a single-stage fan
- Impellers specially built for counter rotation
- Minimized air swirl reduces long ductwork pressure drops downstream
- High efficiency, cast aluminum airfoil axial impellers
- Heavy gauge steel housings
- Externally mounted & wired junction box
- TEFC severe duty motors as standard
- Sizes range from 12" to 60"; capacities to 61,000 cfm

APPLICATIONS

- Process ventilation
- General ventilation
- Fumes, dust, or smoke removal
- Booster fans

ACCESSORIES/OPTIONS

- Horizontal mounting brackets
- Vertical mounting brackets
- Companion flanges
- Inspection doors
- Inlet & outlet side guards
- Continuously welded construction
- 304 or 316 stainless steel housing
- Special motors, IEEE 45, IEEE 841, XP
- High air volume and pressure applications
- Special surface preparation and paint finishes
- AMCA spark resistant construction – consult factory
- Larger diameters and capacities – consult factory



DIMENSIONS IN INCHES*

MODEL	ØA	ØB	ØC	ØD	E	L1	L	MAX MTR FRAME
AIDC120	12.19	13.75	15.00	0.44	8	18.00	36.00	56
AIDC140	14.19	16.25	17.50	0.44	8	20.00	40.00	143/5T
AIDC160	16.19	18.00	19.50	0.44	8	21.00	42.00	143/5T
AIDC180	18.19	20.75	22.00	0.44	8	24.00	48.00	143/5T
AIDC210	21.19	23.25	24.50	0.44	8	26.00	52.00	182/4T
AIDC240	24.19	26.25	27.50	0.44	8	29.00	58.00	182/4T
AIDC270	27.19	29.25	31.00	0.44	8	29.00	66.00	182/4T
AIDC300	30.19	32.63	34.50	0.56	8	33.00	66.00	213/5T
AIDC340	34.19	36.63	38.50	0.56	8	33.00	66.00	213/5T
AIDC360	36.19	38.63	40.50	0.56	8	33.00	66.00	213/5T
AIDC420	42.19	44.63	46.50	0.56	8	42.00	84.00	254/6T
AIDC480	48.19	50.63	52.50	0.56	12	42.00	84.00	254/6T
AIDC540	54.19	56.63	58.50	0.56	12	55.00	110.00	284/6T
AIDC600	60.19	62.63	64.50	0.56	12	55.00	110.00	284/6T

*DO NOT USE FOR CONSTRUCTION

CONSULT FACTORY FOR CERTIFIED PRINTS