

## AMP MOTORIZED AXIAL PANEL FANS (AC)

### FEATURES & BENEFITS

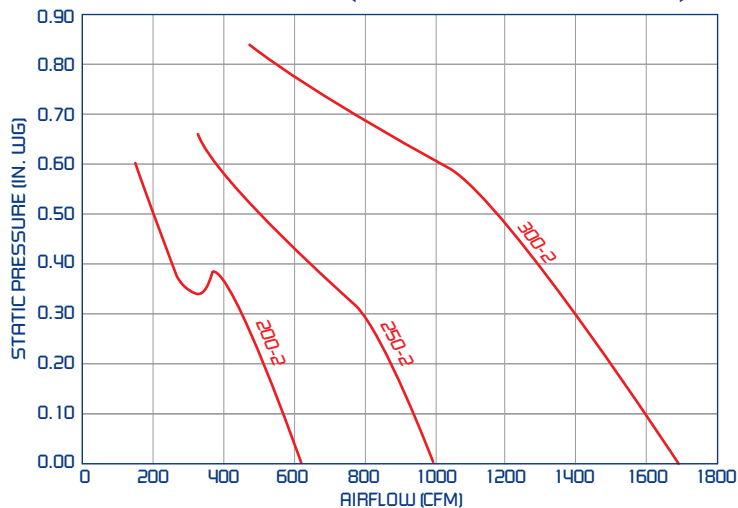
- Heavy gauge steel painted black
- 115 or 230 VAC single phase 60 Hz operation
- For 50 Hz operation or other voltages - consult factory
- Speed controllable, single phase PSC motor
- IP44 motor protection, Class F insulation
- Permissible ambient temperature range: -40 F to 158 F
- UL & CE approved
- Matching capacitors available
- Standard airflow configuration
- For reverse airflow configuration - consult factory



### APPLICATIONS

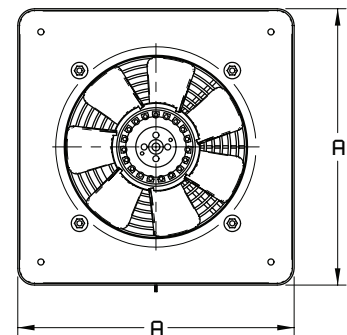
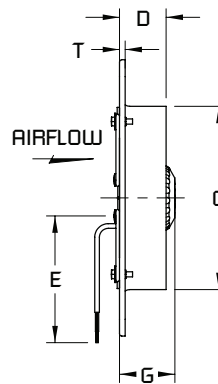
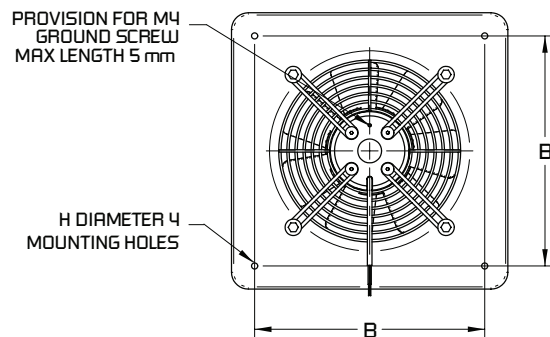
- Electronic cabinet cooling
- Air filtration
- Clean room modules
- Military HRAC
- Heat exchangers
- Pharmaceutical equipment

TYPICAL PERFORMANCE (VARIES BY MODEL AND VOLTAGE)



115V		60 Hz PERFORMANCE				
PART NUMBER	CFM	RPM	dBA	WATTS	AMPS	CAPACITOR
AMP200-2-11	600	2665	66	74	0.6	6 x 250V
AMP250-2-11	1120	2665	70	147	1.2	12 x 250V
AMP300-2-11	1590	2905	76	225	1.9	20 x 250V
230V		60 Hz PERFORMANCE				
AMP200-2-12	618	2710	66	85	0.4	2 x 440V
AMP250-2-12	995	3115	70	147	0.7	4 x 500V
AMP300-2-12	1695	2940	76	261	1.1	6 x 440V

FOR OTHER VOLTAGES, CONSULT FACTORY.  
ACTUAL PERFORMANCE MAY VARY BY APPLICATION.



DIMENSIONS IN INCHES\*

MODEL	A	B	C	D	E	G	H	T
AMP200-2	12.3	10.3	8.2	2.1	19.0	2.5	0.3	0.3
AMP250-2	14.6	12.6	10.1	2.1	19.0	2.9	0.3	0.3
AMP300-2	17.0	15.0	12.1	3.2	19.0	3.8	0.3	0.3

\*DO NOT USE FOR CONSTRUCTION

CONSULT FACTORY FOR CERTIFIED PRINTS

# AC MOTORIZED IMPELLERS

## AMR MOTORIZED AXIAL RING FANS (AC)

### FEATURES & BENEFITS

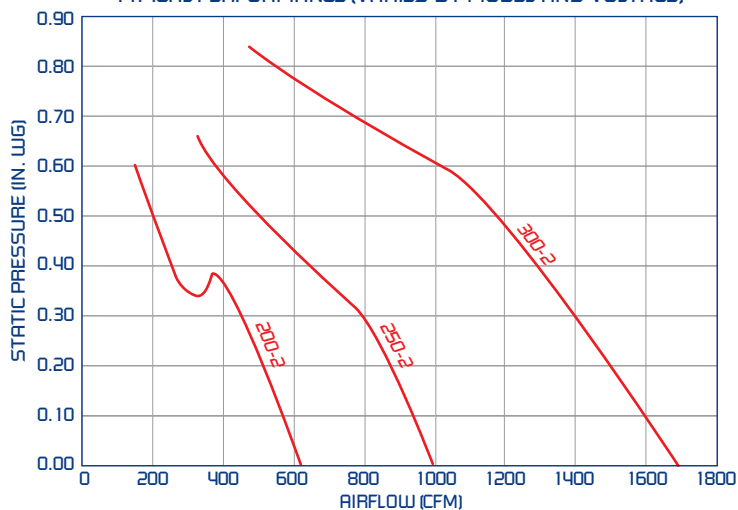
- Heavy gauge steel painted black, guard included
- 115 or 230 VAC single phase 60 Hz operation
- For 50 Hz operation or other voltages - consult factory
- Speed controllable, single phase PSC motor
- IP44 motor protection, Class F insulation
- Permissible ambient temperature range: -40 F to 158 F
- UL & CE approved
- Matching capacitors available
- Standard airflow configuration
- For reverse airflow configuration - consult factory



### APPLICATIONS

- Electronic cabinet cooling
- Air filtration
- Clean room modules
- Military HRAC
- Heat exchangers
- Pharmaceutical equipment

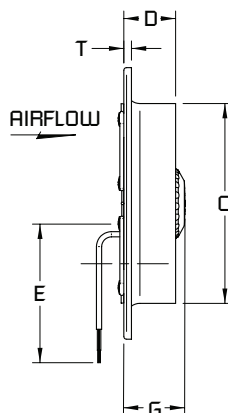
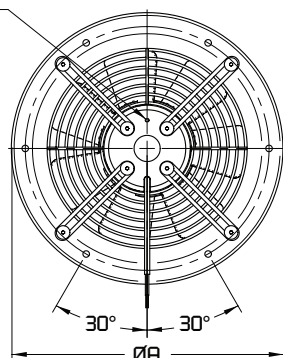
TYPICAL PERFORMANCE (VARIES BY MODEL AND VOLTAGE)



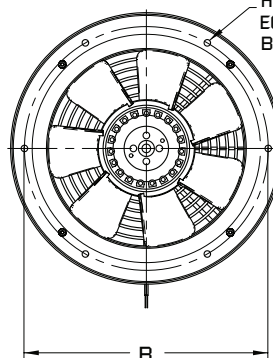
115V		60 Hz PERFORMANCE				
PART NUMBER	CFM	RPM	dBA	WATTS	AMPS	CAPACITOR
AMR200-2-11	600	2665	66	74	0.62	6 x 250V
AMR250-2-11	1120	2665	70	147	1.20	12 x 250V
AMR300-2-11	1590	2905	76	225	1.88	20 x 250V
230V		60 Hz PERFORMANCE				
AMR200-2-12	618	2710	66	85	0.4	2 x 440V
AMR250-2-12	995	3115	70	147	0.7	4 x 500V
AMR300-2-12	1695	2940	76	261	1.1	6 x 440V

FOR OTHER VOLTAGES, CONSULT FACTORY.  
ACTUAL PERFORMANCE MAY VARY BY APPLICATION.

PROVISION FOR M4  
GROUND SCREW  
MAX LENGTH 5 mm



H DIAMETER 6 HOLES  
EQUALLY SPACED ABOUT  
B BOLT CIRCLE DIAMETER



DIMENSIONS IN INCHES\*

MODEL	A	B	C	D	E	G	H	T
AMR200-2	11.0	9.9	8.1	2.1	19.0	2.5	0.3	0.3
AMR250-2	12.6	11.6	9.9	2.2	19.0	2.9	0.3	0.3
AMR300-2	15.6	15.0	12.1	3.3	19.0	3.8	0.3	0.4

\*DO NOT USE FOR CONSTRUCTION

CONSULT FACTORY FOR CERTIFIED PRINTS

## AMI MOTORIZED AXIAL IMPELLERS (AC)

### FEATURES & BENEFITS

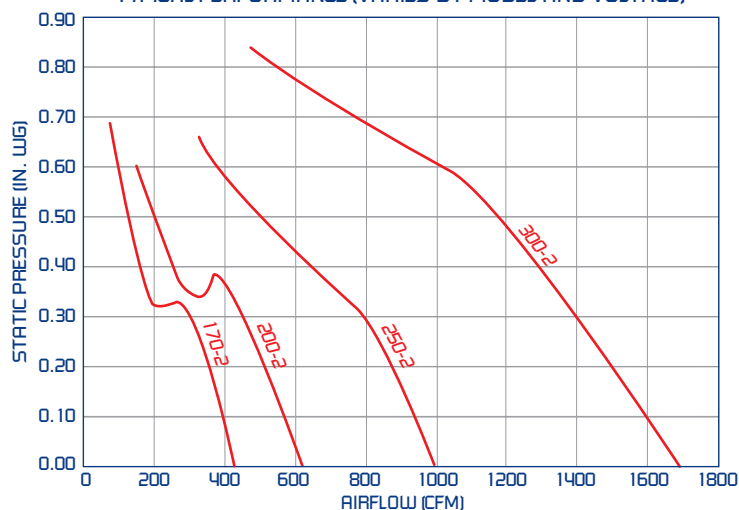
- Heavy gauge steel painted black
- 115 or 230 VAC single phase 60 Hz operation
- For 50 Hz operation or other voltages - consult factory
- Speed controllable, single phase PSC motor
- IP44 motor protection, Class F insulation
- Permissible ambient temperature range: -40 F to 158 F
- UL & CE approved
- Matching capacitors available
- Standard airflow configuration
- For reverse airflow configuration - consult factory

### APPLICATIONS

- Electronic cabinet cooling
- Air filtration
- Clean room modules
- Military HRAC
- Heat exchangers
- Pharmaceutical equipment

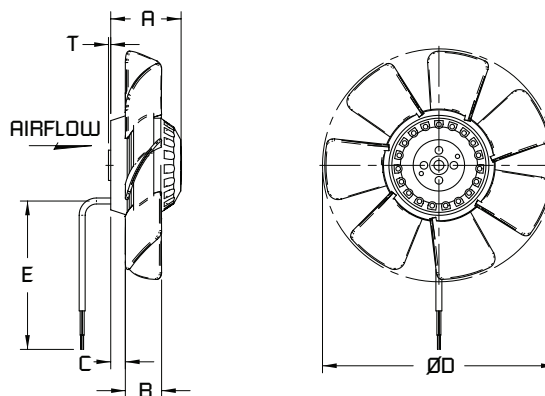
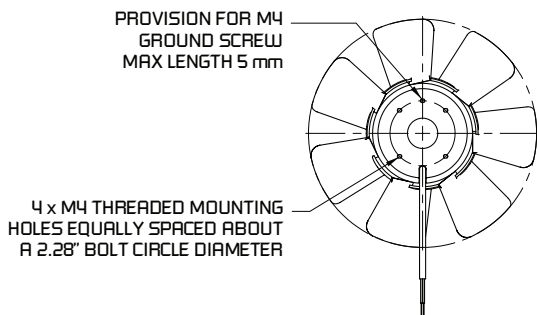


TYPICAL PERFORMANCE (VARIES BY MODEL AND VOLTAGE)



115V		60 Hz PERFORMANCE				
PARTNUMBER	CFM	RPM	dBA	WATTS	AMPS	CAPACITOR
AMI170-2-11	380	3035	65	60	0.5	6 x 250V
AMI200-2-11	600	2665	66	74	0.6	6 x 250V
AMI250-2-11	1120	2665	70	147	1.2	12 x 250V
AMI300-2-11	1590	2905	76	225	1.9	20 x 250V
230V		60 Hz PERFORMANCE				
AMI170-2-12	438	3085	65	68	0.3	2 x 440V
AMI200-2-12	620	2710	66	85	0.4	2 x 440V
AMI250-2-12	1060	3115	70	147	0.7	4 x 500V
AMI300-2-12	1700	2940	76	261	1.1	6 x 440V

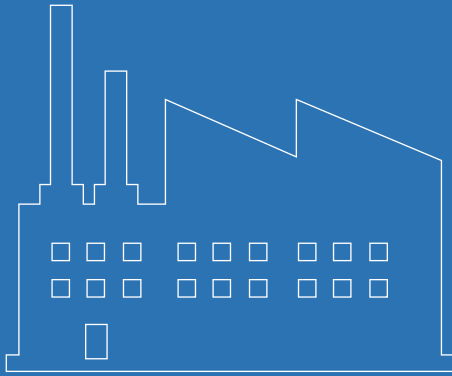
FOR OTHER VOLTAGES, CONSULT FACTORY.  
ACTUAL PERFORMANCE MAY VARY BY APPLICATION.



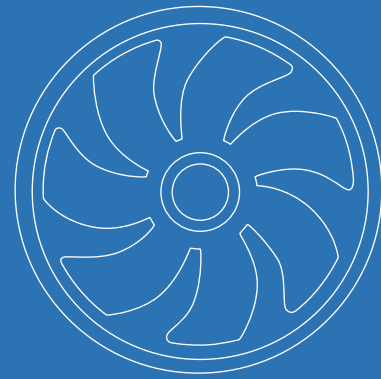
MODEL	DIMENSIONS IN INCHES*					
	A	B	C	D	E	T
AMI170-2	2.5	1.5	0.5	6.8	19.0	0.1
AMI200-2	2.5	1.5	0.5	8.0	19.0	0.1
AMI250-2	2.9	1.7	1.2	9.8	19.0	0.1
AMI300-2	3.8	1.3	1.1	11.6	19.0	0.1

\*DO NOT USE FOR CONSTRUCTION

CONSULT FACTORY FOR CERTIFIED PRINTS



***Industrial Fans  
& Blowers***



***OEM Solutions  
& Custom Fans***



***Commercial Fans  
& Dampers***



***Residential Fans &  
Air Purifiers***



# OEM Solutions & Custom Fans

Continental Fan Manufacturing Inc.  
Buffalo, NY ~ Dayton, OH

Continental Fan Canada Inc.  
Mississauga, Ontario

continentalfan.com  
1-800-779-4021

Distributed by:



OEM-CAT-2109