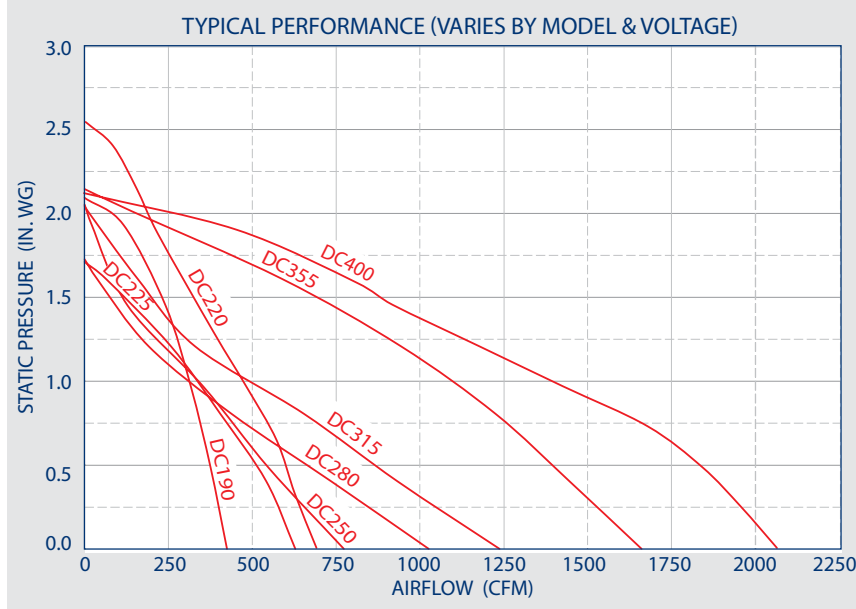


DC MOTORIZED IMPELLERS

DC CENTRIFUGAL IMPELLERS (DC)

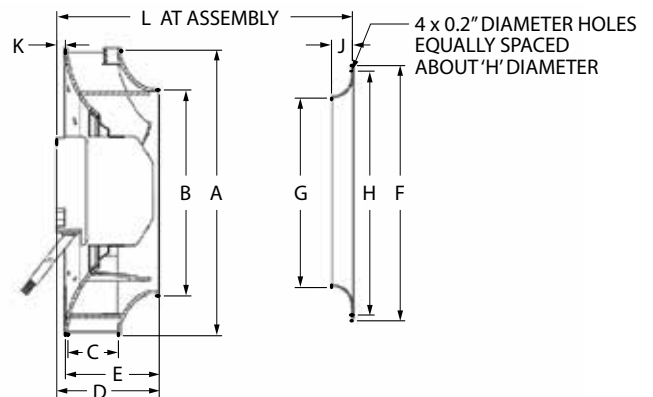
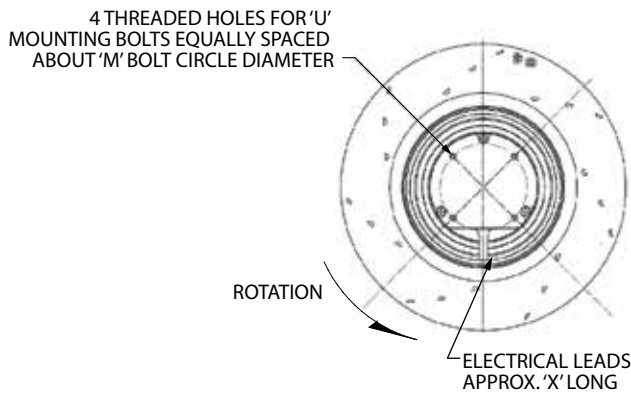
FEATURES & BENEFITS

- Quiet and efficient backward curved impellers
- 100% speed controllable DC external rotor motor
- Matching inlet cones included
- Available from stock in 24 & 48 VDC
- 1-10 VDC or PWM motor control
- IP42 motor and reverse polarity protection
- ErP and RoHS compliant
- Permissible ambient temperature range: -13 F to 140 F
- Capacities to 2,070 cfm
- 48 VDC products are UL approved



24 VDC		PERFORMANCE				
PART NUMBER	CFM	RPM	WATTS	AMPS	dB(A)	
DC190-2B34-24	425	3300	77	3.2	67	
DC220-2B42-24	694	3190	115	4.8	73	
DC225-2B65-24	629	2400	78	3.3	65	
DC250-2B61-24	773	2300	84	3.5	65	
DC280-2B82-24	1026	1710	95	4.0	71	
DC315-2B50-24	1238	1820	115	4.8	67	
48 VDC		PERFORMANCE				
PART NUMBER	CFM	RPM	WATTS	AMPS	dB(A)	
DC190-2B34-48	425	3300	77	1.6	67	
DC220-2B42-48	694	3190	100	2.0	73	
DC225-2B65-48	629	2400	78	1.6	65	
DC250-2B61-48	773	2300	84	1.8	65	
DC280-2B82-48	1026	1710	95	2.0	71	
DC315-2B50-48	1238	1820	115	2.4	67	
DC355-2B97-48	1662	1560	178	3.7	69	
DC400-2B93-48	2070	1460	270	5.6	75	

FOR OTHER VOLTAGES, CONSULT FACTORY.
ACTUAL PERFORMANCE MAY VARY BY APPLICATION.



MODEL	DIMENSIONS IN INCHES*														
	A	B	C	D	E	F	G	H	J	K	L	M	U	V	X
DC190-2B34	7.4	5.2	1.3	2.7	2.5	6.7	4.9	6.2	0.6	0.2	3.2	2.3	M4 x 6	4.0	17.7
DC220-2B42	8.7	6.3	1.7	2.8	2.5	10.0	6.0	9.7	0.8	0.3	4.0	2.3	M4 x 6	4.0	17.7
DC225-2B65	8.9	6.0	2.5	3.9	3.6	8.8	5.7	8.3	1.1	0.3	4.9	2.3	M4 x 6	4.0	17.7
DC250-2B61	9.8	6.8	2.4	3.9	3.6	10.0	6.4	9.4	1.2	0.3	5.0	2.3	M4 x 6	4.0	17.7
DC280-2B82	11.1	7.5	3.2	5.3	4.4	11.8	6.9	11.5	1.2	1.0	6.4	2.3	M4 x 6	6.0	17.7
DC315-2B50	12.4	8.5	2.0	3.9	3.4	13.8	8.2	13.4	1.2	0.5	5.0	2.3	M4 x 6	6.0	17.7
DC355-2B97	14.0	9.7	3.8	6.2	5.6	13.8	9.4	12.8	1.2	0.6	7.3	3.5	M5 x 9	6.0	39.4
DC400-2B93	15.9	10.5	3.7	6.8	5.6	14.5	10.2	13.5	1.4	1.2	8.1	3.5	M5 x 9	6.0	39.4

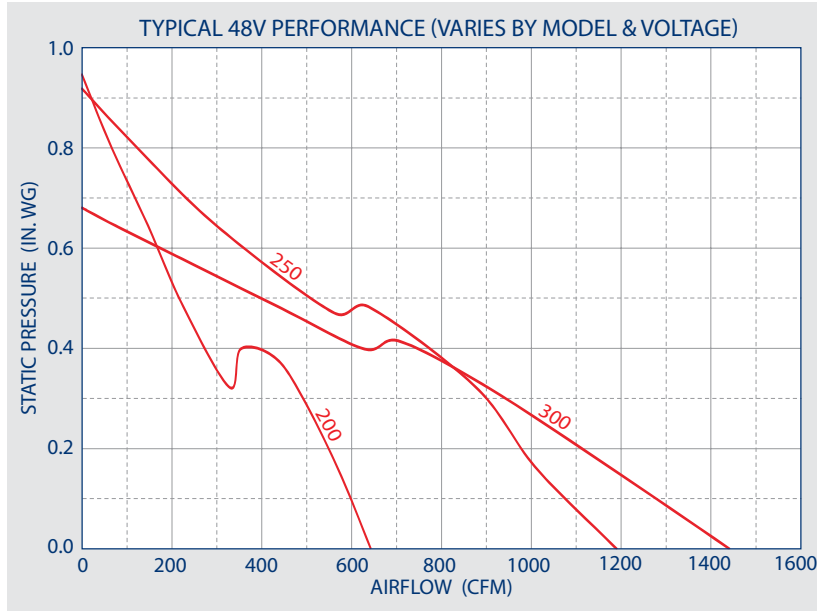
*DO NOT USE FOR CONSTRUCTION

CONSULT FACTORY FOR CERTIFIED PRINTS

DXG & DXP MOTORIZED AXIAL FANS (DC)

FEATURES & BENEFITS

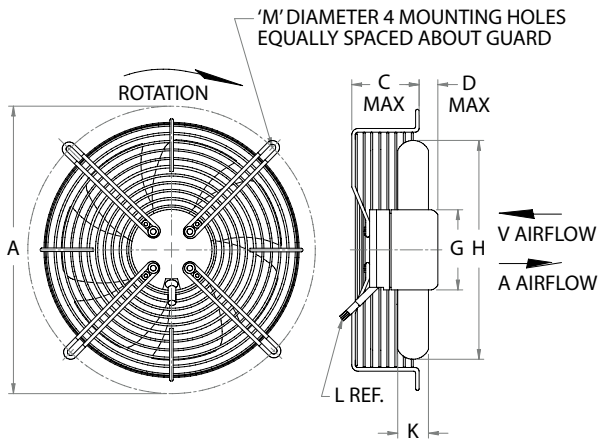
- Excellent air and sound performance characteristics
- 100% speed controllable DC external rotor motor
- Available from stock in 24 & 48 VDC
- 1-10 VDC or PWM motor control
- IP42 motor and reverse polarity protection
- ErP and RoHS compliant
- Capacities to 1,441 cfm
- 48 VDC products are UL approved



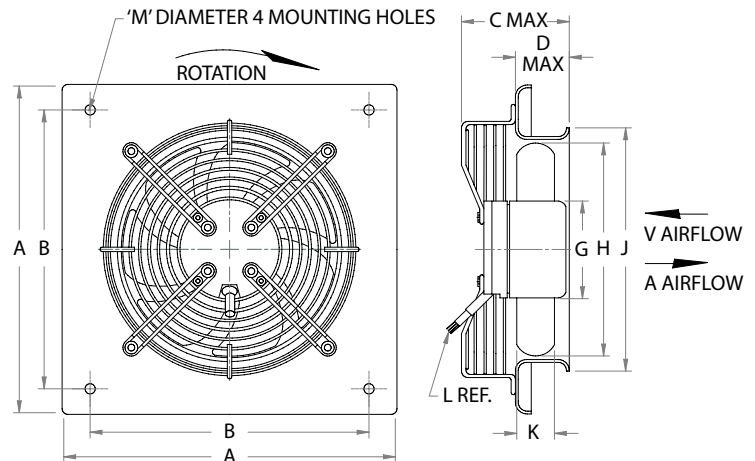
24 VDC		PERFORMANCE			
PART NUMBER	CFM	RPM	WATTS	AMPS	dB(A)
DXG200-2DC-24	643	2750	45	1.9	60
DXG250-2DC-24	1190	2650	105	4.4	70
DXG300-2DC-24	1245	1780	110	4.5	70
DXP200-2DC-24	643	2750	45	1.9	64
DXP250-2DC-24	1190	2650	105	4.4	74
DXP300-2DC-24	1245	1780	110	4.5	70
48 VDC		PERFORMANCE			
DXG200-2DC-48	643	2750	45	0.9	60
DXG250-2DC-48	1190	2650	105	2.2	70
DXG300-2DC-48	1441	1800	115	2.4	65
DXP200-2DC-48	643	2750	45	0.9	64
DXP250-2DC-48	1190	2650	105	2.2	74
DXP300-2DC-48	1441	1800	115	2.4	70

FOR OTHER VOLTAGES, CONSULT FACTORY.
ACTUAL PERFORMANCE MAY VARY BY APPLICATION.

DXG



DXP



AIRFLOW DIRECTION TO BE INDICATED BY CUSTOMER.

MODEL	DIMENSIONS IN INCHES*							
	A	C	D	G	H	K	L	M
DXG200-2DC	10.2	2.6	1.2	3.6	7.9	1.4	17.7	0.3
DXG250-2DC	12.7	3.0	0.8	3.6	9.8	1.4	17.7	0.3
DXG300-2DC	14.2	3.2	1.6	3.6	11.8	2.6	17.7	0.3

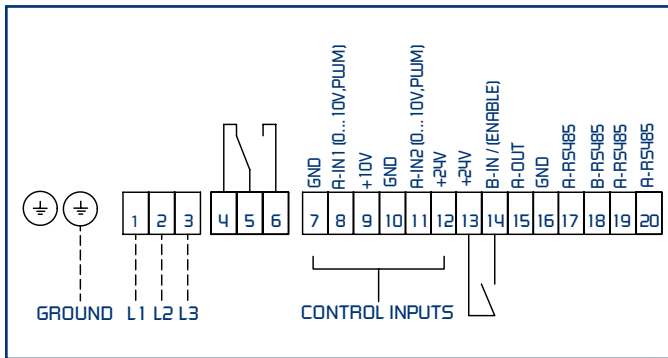
*DO NOT USE FOR CONSTRUCTION

MODEL	DIMENSIONS IN INCHES*									
	A	B	C	D	G	H	J	K	L	M
DXP200-2DC	12.2	10.2	3.9	2.0	3.6	7.9	9.1	1.4	17.7	0.3
DXP250-2DC	14.6	12.6	3.2	3.0	3.6	9.8	11.0	1.4	17.7	0.3
DXP300-2DC	16.9	15.0	3.8	3.6	3.6	11.8	14.0	2.6	17.7	0.4

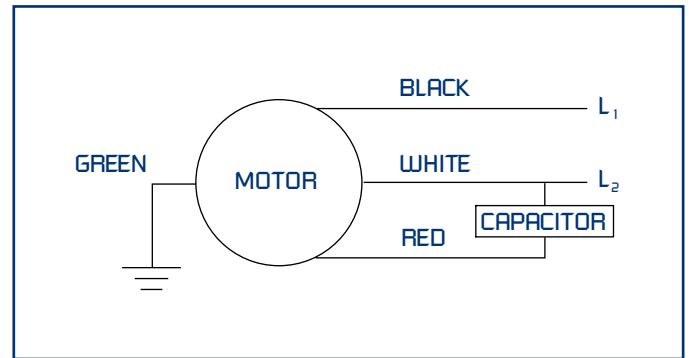
CONSULT FACTORY FOR CERTIFIED PRINTS

WIRING DIAGRAMS

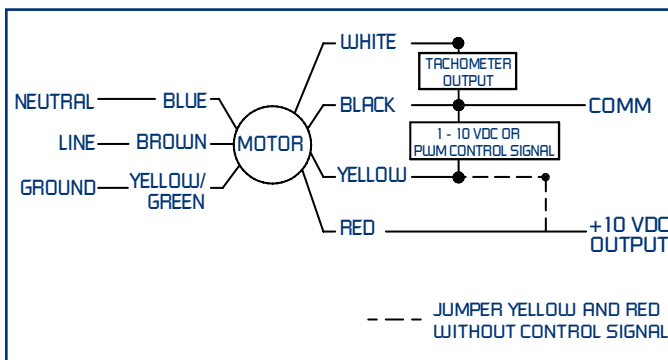
TME, CEC (3 PHASE)



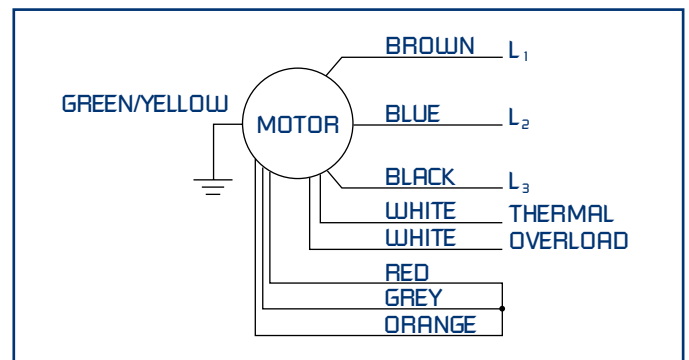
XR



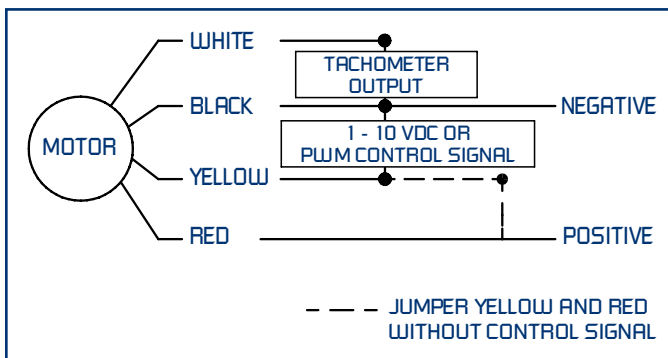
EC, DXG-EC, DXP-EC



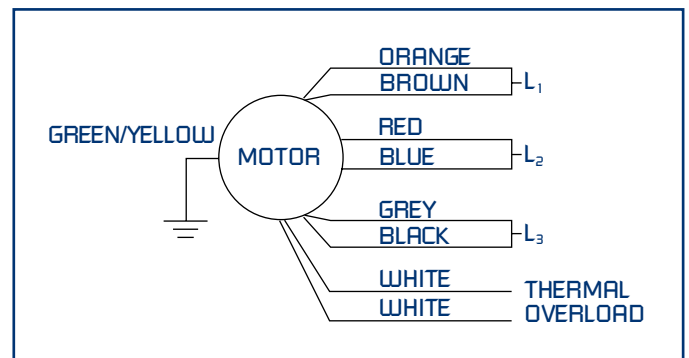
TMA, TMK, RCM (460V, 3 PHASE)



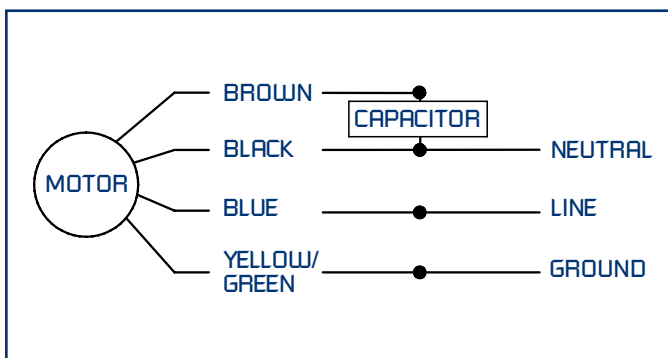
DC, DXG-DC, DXP-DC



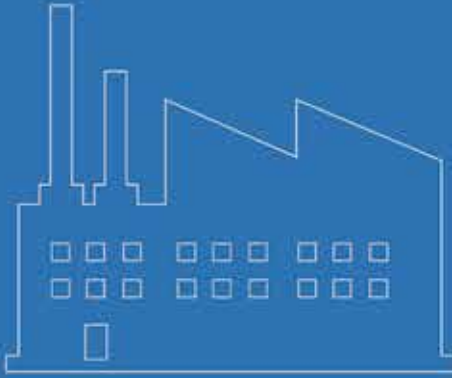
TMA, TMK, RCM (230V, 3 PHASE)



CMI, DXG-AC, DXP-AC



WIRING DIAGRAMS ARE TYPICAL, CONSULT FACTORY FOR ACTUAL PRODUCT WIRING DIAGRAMS.



***Industrial Fans
& Blowers***



***OEM Solutions
& Custom Fans***



***Commercial Fans
& Dampers***



***Residential Fans &
Air Purifiers***



OEM Solutions & Custom Fans

Continental Fan Manufacturing Inc.
Buffalo, NY ~ Dayton, OH

Continental Fan Canada Inc.
Mississauga, ON

continentalfan.com
1-800-779-4021

