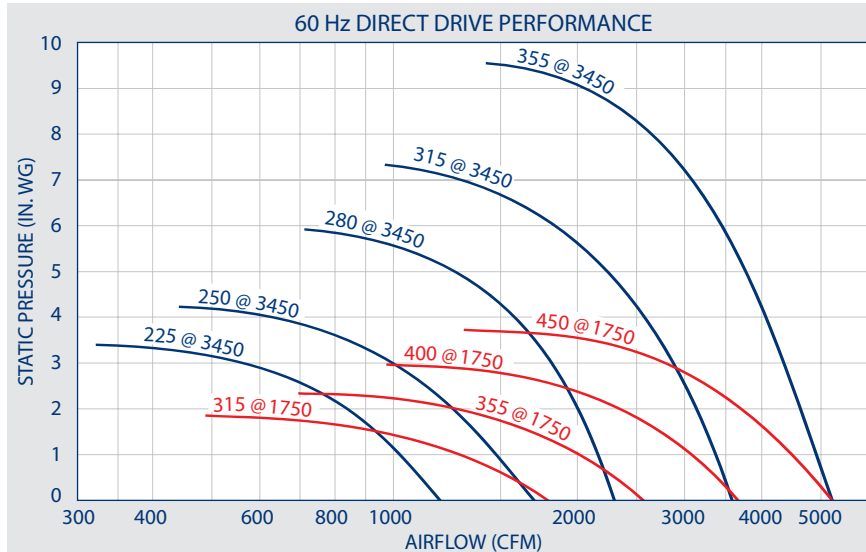


# PLUG & PLENUM FANS

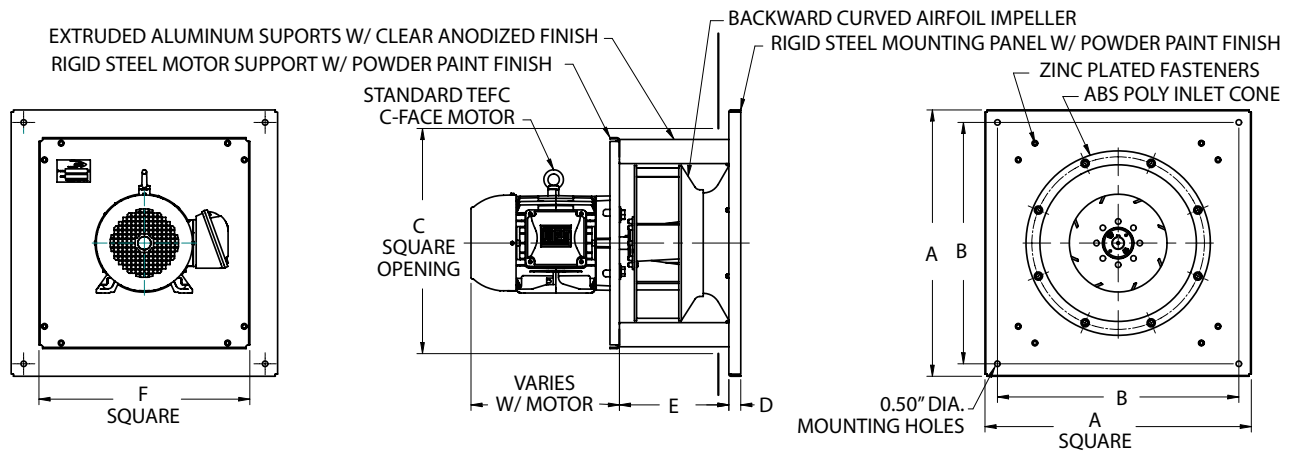
## TEK PLUG FANS

### FEATURES & BENEFITS

- High efficiency, backward curved airfoil impeller
- Injection molded GRP polyamide TEK impeller
- Modular construction, compact design
- OEM custom configurations available
- Horizontal and vertical applications
- Non-overloading power characteristics
- TEFC face mounted motors
- Supply and return air applications



MOTOR CHART		
MODEL	RPM	MTR HP
TEK225H-V2	3450	½
TEK250H-V2	3450	¾
TEK280H-V2	3450	1 ½
TEK315H-V4	1750	½
TEK315H-V2	3450	3
TEK355H-V4	1750	¾
TEK355H-V2	3450	5
TEK400H-V4	1750	1 ½
TEK450H-V4	1750	2



MODEL	DIMENSIONS IN INCHES*						
	A	B	C	D	E	F	
TEK225H-V2	20.0	17.8	14.0	1.1	6.4	13.0	
TEK250H-V2	20.0	17.8	15.0	1.1	7.1	14.0	
TEK280H-V2	20.0	17.8	16.0	1.1	7.9	15.0	
TEK315H-V4	24.0	21.8	17.5	1.1	8.6	17.0	
TEK315H-V2	24.0	21.8	17.5	1.1	8.6	17.0	
TEK355H-V4	24.0	21.8	19.5	1.1	9.5	19.0	
TEK355H-V2	24.0	21.8	19.5	1.1	9.5	19.0	
TEK400H-V4	28.0	25.8	20.5	1.1	10.5	20.0	
TEK450H-V4	28.0	25.8	24.0	1.1	11.7	23.6	

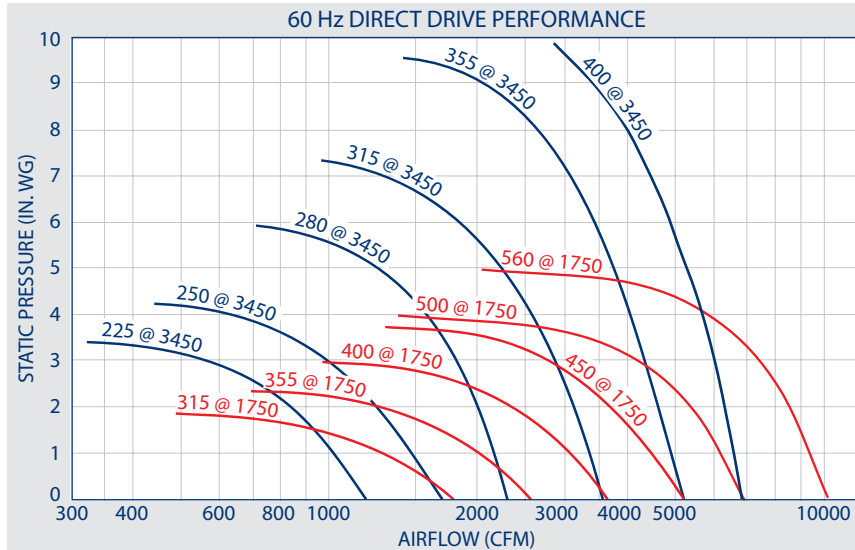
\*DO NOT USE FOR CONSTRUCTION

CONSULT FACTORY FOR CERTIFIED PRINTS

## TEK PLENUM FANS

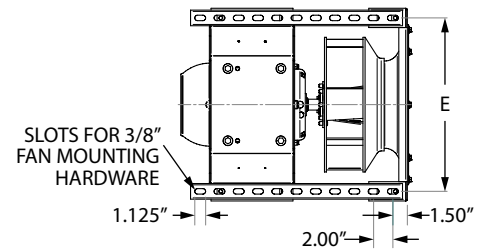
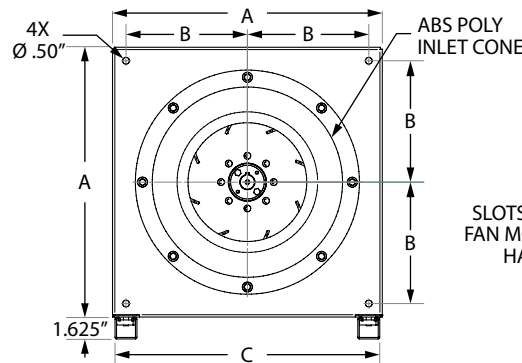
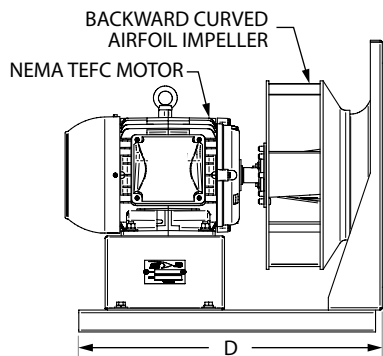
### FEATURES & BENEFITS

- High efficiency, backward curved airfoil impeller
- Injection molded GRP polyamide TEK impeller
- Modular construction, compact design
- OEM custom configurations available
- Horizontal and vertical applications
- Non-overloading power characteristics
- TEFC industrial duty motors
- Supply and return air applications



MOTOR CHART		
MODEL	RPM	MTR HP
TEK225H-H2	3450	1/2
TEK250H-H2	3450	3/4
TEK280H-H2	3450	1 1/2
TEK315H-H4	1750	1/2
TEK315H-H2	3450	3
TEK355H-H4	1750	3/4
TEK355H-H2	3450	5
TEK400H-H4	1750	1 1/2
TEK400H-H2	3450	7 1/2
TEK450H-H4	1750	2
TEK500H-H4*	1750	5
TEK560H-H4*	1750	7 1/2

\*CCW ROTATION ONLY FOR MODELS  
TEK500H-H4 & TEK560H-H4



MODEL	DIMENSIONS IN INCHES*				
	A	B	C	D	E
TEK225H-H2	20.00	9.00	19.62	22.50	18.00
TEK250H-H2	20.00	9.00	19.62	22.50	18.00
TEK280H-H2	20.00	9.00	19.62	22.50	18.00
TEK315H-H4	20.00	9.00	19.62	22.50	18.00
TEK315H-H2	20.00	9.00	19.62	22.50	18.00
TEK355H-H4	20.00	9.00	19.62	22.50	18.00
TEK355H-H2	20.00	9.00	19.62	22.50	18.00
TEK400H-H4	30.00	13.50	29.62	28.50	28.00
TEK400H-H2	30.00	13.50	29.62	28.50	28.00
TEK450H-H4	30.00	13.50	29.62	28.50	28.00
TEK500H-H4	30.00	13.50	29.62	28.50	28.00
TEK560H-H4	30.00	13.50	29.62	28.50	28.00

\*DO NOT USE FOR CONSTRUCTION

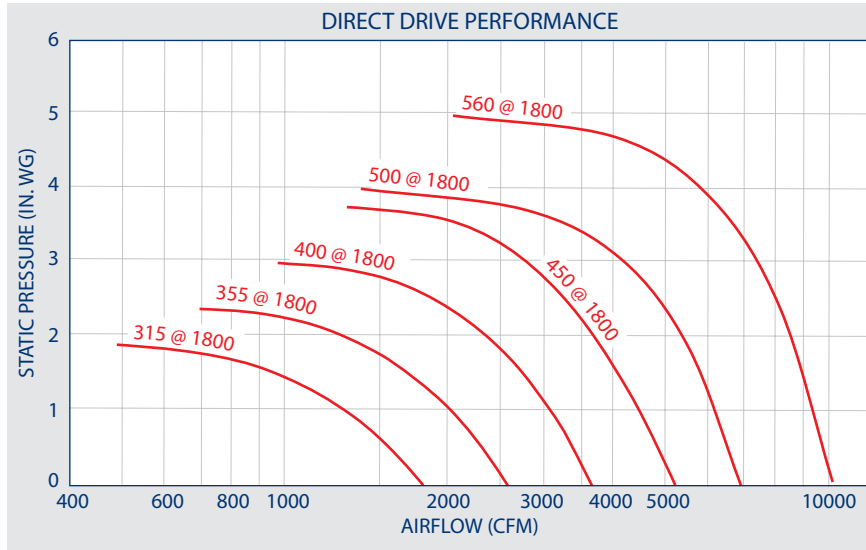
CONSULT FACTORY FOR CERTIFIED PRINTS

# PLUG & PLENUM FANS

## TEK-ECM PLENUM FANS

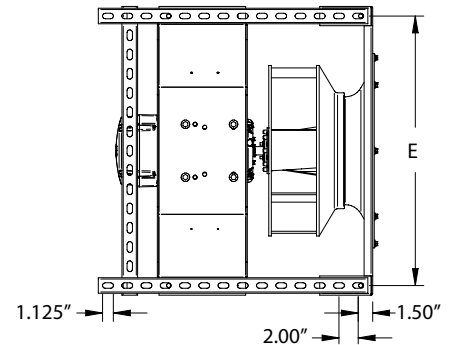
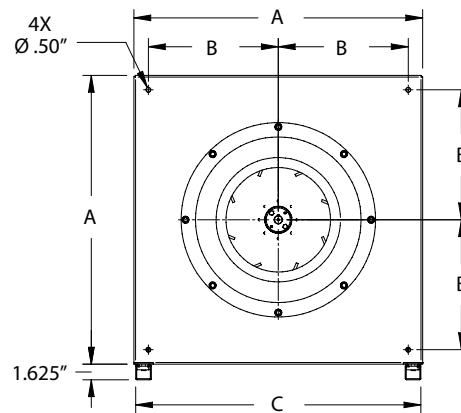
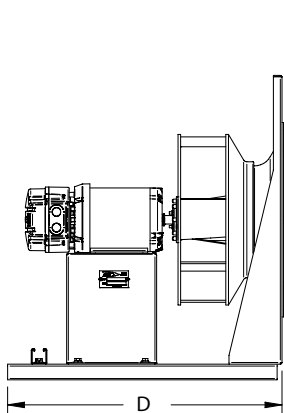
### FEATURES & BENEFITS

- IE5 efficiency, electronically commutated (EC) motor
- Plug-and-play integrated motor and drive
- Bluetooth communication available
- High efficiency, backward curved airfoil impeller
- Injection molded GRP polyamide TEK impeller
- OEM custom configurations available
- Non-overloading power characteristics
- Ideal for variable speed applications
- Available in 6 sizes up to 10,000 cfm



EC MOTOR CHART		
MODEL	RPM	ECM HP
TEK315H-H4-ECM	1800	½
TEK355H-H4-ECM	1800	¾
TEK400H-H4-ECM	1800	1 ½
TEK450H-H4-ECM	1800	2
TEK500H-H4-ECM*	1800	5
TEK560H-H4-ECM*	1800	7 ½

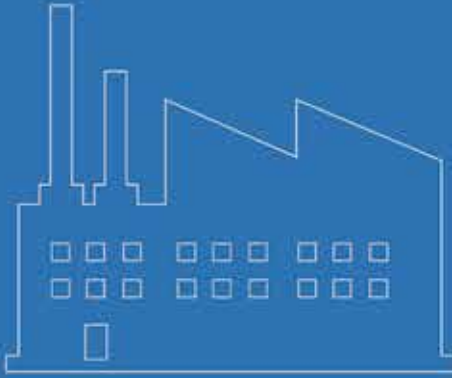
\*CCW ROTATION ONLY FOR MODELS  
TEK500H-H4-ECM & TEK560H-H4-ECM



MODEL	DIMENSIONS IN INCHES*				
	A	B	C	D	E
TEK315H-H4-ECM	20.00	9.00	19.62	22.50	18.00
TEK355H-H4-ECM	20.00	9.00	19.62	22.50	18.00
TEK400H-H4-ECM	30.00	13.50	29.62	28.50	28.00
TEK450H-H4-ECM	30.00	13.50	29.62	28.50	28.00
TEK500H-H4-ECM	30.00	13.50	29.62	28.50	28.00
TEK560H-H4-ECM	30.00	13.50	29.62	28.50	28.00

\*DO NOT USE FOR CONSTRUCTION

CONSULT FACTORY FOR CERTIFIED PRINTS



***Industrial Fans  
& Blowers***



***OEM Solutions  
& Custom Fans***



***Commercial Fans  
& Dampers***



***Residential Fans &  
Air Purifiers***



## OEM Solutions & Custom Fans

Continental Fan Manufacturing Inc.  
Buffalo, NY ~ Dayton, OH

Continental Fan Canada Inc.  
Mississauga, ON

continentalfan.com  
1-800-779-4021

