

TF140-EC TRANQUIL BATHROOM FAN

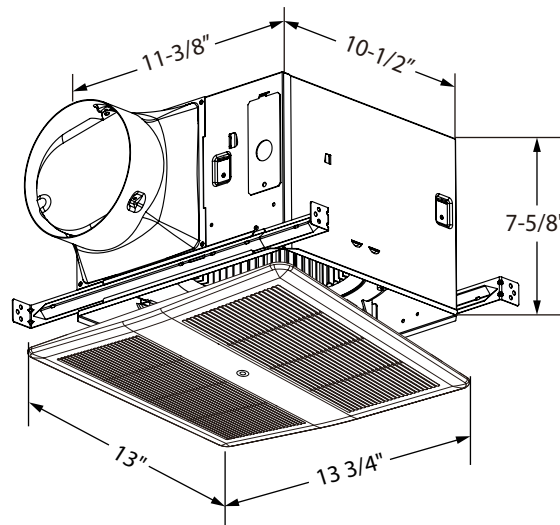


TF140-EC Tranquil Bathroom Fan features an electronically commutated (EC) motor that provides superior ventilation and efficient performance. Toggle-switch positioning determines the maximum desired airflow rate, ranging from 80 to 140 cfm.

Features & Benefits

- Totally enclosed brushless electronically commutated (EC) motor
- Efficient operation at two configurable airflow levels
- Whisper-quiet sones as low as 0.3
- Low profile grille with plug & play motion sensor
- Built-in humidity sensor and time delay
- Toggle-switch selection for maximum desired airflow
- Maximum airflow from 80 to 140 cfm
- Continuous low airflow operation, adjustable from 30 cfm to maximum or OFF
- Corrosion resistant 26 GA galvanized steel housing
- Double hanger mounting brackets adjust up to 24" span
- Non-metallic collar with built-in backdraft damper
- 120V, 60 Hz, single phase operation
- Permanently lubricated motor for continuous operation
- Automatic reset thermal overload protection
- Fits 6" duct
- ETL listed for use over a tub/shower enclosure with GFCI circuit

The versatile TF140-EC fan can be configured to operate continuously at a low airflow rate to improve indoor air quality (IAQ), and it will boost automatically to a maximum desired airflow when environmental conditions change.



MODEL	PERFORMANCE				POWER SUPPLY
	CFM 0.1" SP	CFM 0.25" SP	SONES*	WATTS	
TF140-EC	80	80	0.3	5.6	120V
	110	110	0.3	8.5	60 Hz
	140	140	0.4	13.0	1 Phase

*SONES ARE RATED AT 0.1" SP

DIMENSIONS IN INCHES*					
DUCT DIA.	GRILLE SIZE	HOUSING SIZE			SHIP WT (lbs)
		L	W	H	
6	13.75 x 13	11.375	10.5	7.625	5.0

*DO NOT USE FOR CONSTRUCTION
CONSULT FACTORY FOR CERTIFIED PRINTS