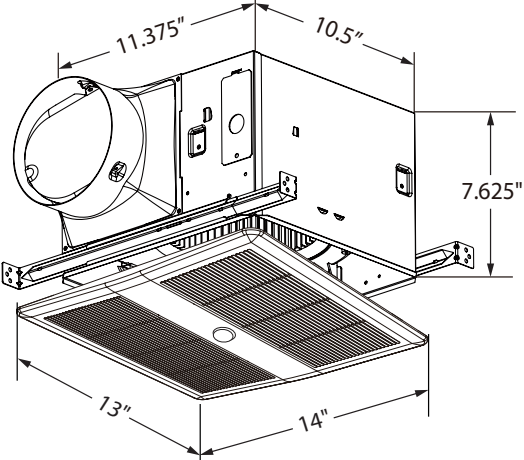


better AIRFLOW by DESIGN™

MODEL: TF140-EC




TF140-EC fan can be configured to operate continuously at a low airflow rate to improve indoor air quality (IAQ). When environmental conditions change, the fan boosts automatically to maximum desired airflow that is preset with toggle-switch positioning.



11.375"
10.5"
7.625"
13"
14"

MODEL	TF140-EC		
SPEED	Low	Medium	High
AIR VOLUME (CFM @ 0.1" SP)	80	110	140
AIR VOLUME (CFM @ 0.25" SP)	80	109	137
SONES*	0.3	0.3	0.4
WATTS *	5.6	8.5	13.0
POWER SUPPLY	120V 60Hz ~ 1 Phase		
DUCT DIA.	6"		

*Sones and watts are rated at 0.1" SP

CONSTRUCTION

- Corrosion resistant 26 GA galvanized steel housing
- Double hanger mounting brackets adjust up to 24" span
- Non-metallic collar with built-in backdraft damper
- Low profile grille with plug-&-play motion sensor
- Built-in humidity sensor and time delay
- Fits 6" duct

MOTOR

- Totally enclosed brushless electronically commutated EC motor
- Efficient operation at two configurable airflow levels
- 120V, 60 Hz
- Single phase
- Permanently lubricated motor for continuous operation
- Automatic reset thermal overload protection

PROJECT					ARCHITECT			
DATE					ENGINEER			
SUBMITTED BY					CONTRACTOR			
SPECIFICATION								
FAN NO.	MODEL NO.	CFM	IN. WG	VOLTS	WATTS	AMPS	QTY	OPTIONAL EQUIPMENT