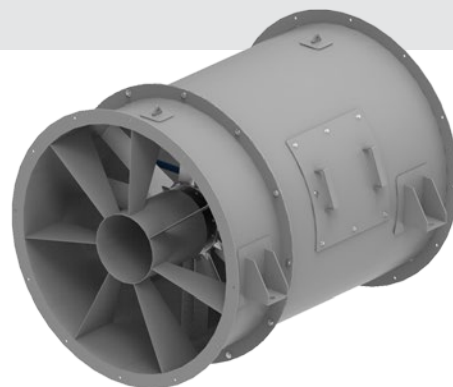


AVD VANEAXIAL FANS

FEATURES & BENEFITS

- Average 20% pressure gain compared to tubeaxial construction
- Improved fan efficiency due to guide vanes
- No increase in motor horsepower due to downstream guide vanes
- Minimized air swirl reduces long ductwork pressure drops downstream
- High efficiency, cast aluminum airfoil axial impeller
- Heavy gauge steel housings
- Externally mounted & wired junction box
- TEFC severe duty motors as standard
- Sizes range from 12" to 60"
- Capacities to 61,000 cfm

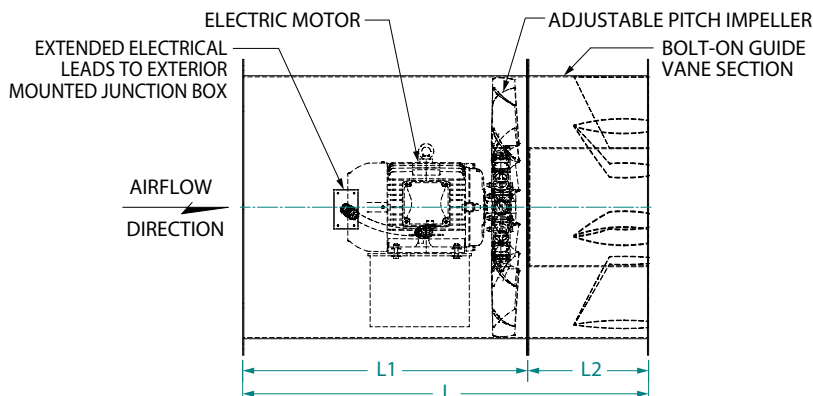
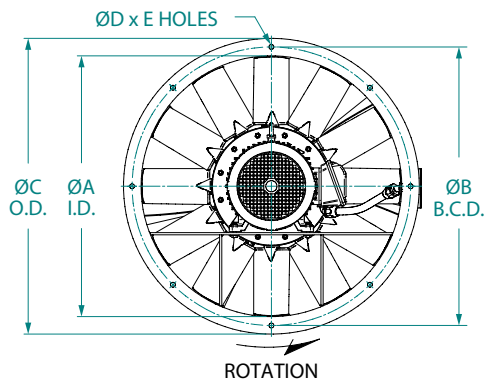


APPLICATIONS

- Process ventilation
- General ventilation
- Booster fans
- High air volume and pressure applications
- Removal of process related fumes, dust and smoke

ACCESSORIES/OPTIONS

- Horizontal mounting brackets
- Vertical mounting brackets
- Companion flanges
- Inspection door
- Motor & impeller side guards
- Continuously welded construction
- 304 or 316 stainless steel housing
- Special motors, IEEE 45, IEEE 841, XP
- Special surface preparation and paint finishes
- AMCA spark resistant construction – consult factory
- Larger diameters and capacities – consult factory

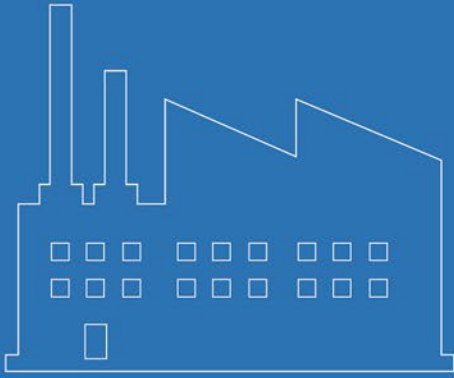


DIMENSIONS IN INCHES*

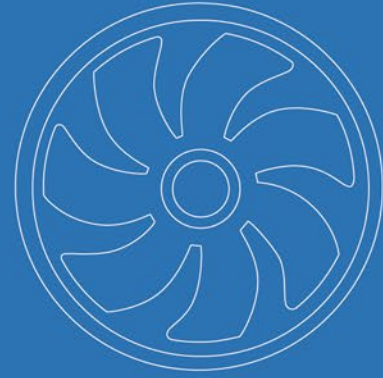
MODEL	ØA	ØB	ØC	ØD	E	L1	L2	L	MAX MTR FRAME
AVD-12	12.19	13.75	15.00	0.44	8	18.00	8.00	26.00	56
AVD-14	14.19	16.25	17.50	0.44	8	20.00	8.00	28.00	143/5T
AVD-16	16.19	18.00	19.50	0.44	8	21.00	9.00	30.00	143/5T
AVD-18	18.19	20.75	22.00	0.44	8	24.00	9.00	33.00	143/5T
AVD-21	21.19	23.25	24.50	0.44	8	26.00	10.00	36.00	182/4T
AVD-24	24.19	26.25	27.50	0.44	8	29.00	12.00	41.00	182/4T
AVD-27	27.19	29.25	31.00	0.44	8	29.00	14.00	43.00	182/4T
AVD-30	30.19	32.63	34.50	0.56	8	33.00	14.00	47.00	213/5T
AVD-34	34.19	36.63	38.50	0.56	8	33.00	16.00	49.00	213/5T
AVD-36	36.19	38.63	40.50	0.56	8	33.00	17.00	50.00	213/5T
AVD-42	42.19	44.63	46.50	0.56	8	42.00	18.00	60.00	254/6T
AVD-48	48.19	50.63	52.50	0.56	12	42.00	18.00	60.00	254/6T
AVD-54	54.19	56.63	58.50	0.56	12	55.00	22.00	77.00	284/6T
AVD-60	60.19	62.63	64.50	0.56	12	55.00	22.00	77.00	284/6T

*DO NOT USE FOR CONSTRUCTION

CONSULT FACTORY FOR CERTIFIED PRINTS



***Industrial Fans
& Blowers***



***OEM Solutions
& Custom Fans***



***Commercial Fans
& Dampers***



***Residential Fans &
Air Purifiers***



Industrial Fans & Blowers

Continental Fan Manufacturing Inc.
Buffalo, NY ~ Dayton, OH

Continental Fan Canada Inc.
Mississauga, ON

continentalfan.com
1-800-779-4021

Distributed by:

