

**AXC IN-LINE DUCT FANS**



AXC In-Line Duct Fans are designed for residential, commercial and light industrial ventilation applications. The quiet, efficient backward-curved motorized impeller is capable of developing significant pressure, and the in-line configuration simplifies installation.

**Features & Benefits**

- Heavy gauge, drawn steel housing with baked epoxy finish
- 120V operation, other voltages available
- Easy to install - mounting brackets included
- May be mounted in any position
- Fans may be used to supply or exhaust air
- Suitable for air temperatures up to 140 F / 60 C
- Energy efficient - speed controllable (optional solid state speed control)
- Optional pre-wired with 120V power cord (AXC-C)
- Exceptionally quiet and efficient BC centrifugal motorized impeller
- External rotor motor design results in superior motor cooling and durability
- Permanently lubricated ball bearing motor for maintenance-free operation
- Automatic reset thermal overload protection
- Fan and motor are precision balanced for quiet and vibration-free operation
- Easily accessible, external junction box with pre-wired capacitor
- Available to fit duct sizes 4" - 12"; airflow capacities to 970 cfm

**Controls & Accessories ~ pages 24-25**

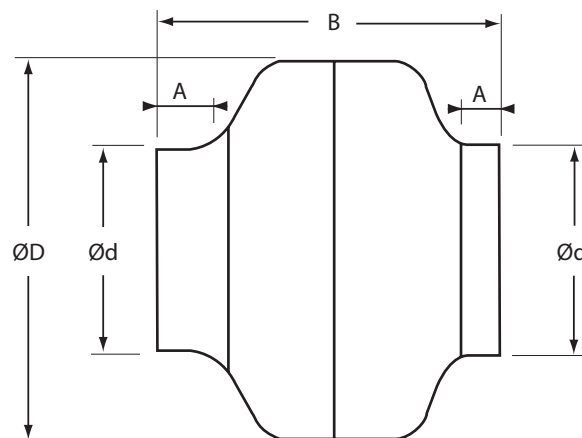
MODEL	WATTS	RPM	AIRFLOW PERFORMANCE (CFM)								
			0" SP	0.2" SP	0.4" SP	0.6" SP	0.8" SP	1.0" SP	1.2" SP	1.5" SP	2.0" SP
AXC100A-ES	43.3	2580	147	130	107	82	57	34	11		
AXC100B	83.4	2620	150	140	127	112	94	74	53	23	
AXC125A-ES	44.4	2520	179	150	121	87	49	14			
AXC125B	85.4	2750	183	160	141	122	101	77	51	14	
AXC150A-ES	46.8	2390	235	190	148	97	44				
AXC150B-ES	89.2	2450	308	260	216	175	139	108	81	47	
AXC200A-ES	84.5	2500	368	300	234	184	149	114	70		
AXC200B-ES	188	2550	579	520	453	387	329	282	245	206	154
AXC250-ES	198	2470	616	550	488	431	379	330	286	227	143
AXC300A-ES	206	2450	780	700	595	420	330	290	255	210	132
AXC300B-ES	312	2780	970	910	803	680	559	453	367	273	164

FOR PRE-WIRED WITH 120V POWER CORD, ADD -C TO MODEL.

MODEL	DIMENSIONS IN INCHES*				SHIP WT (lbs)
	ØD	Ød	A	B	
AXC100A-ES	9.5	3.9	1.0	8.3	7.5
AXC100B	9.5	3.9	1.0	8.3	8.0
AXC125A-ES	9.5	4.8	1.0	8.3	7.5
AXC125B	9.5	4.8	1.0	8.3	7.5
AXC150A-ES	9.5	5.8	1.0	8.3	7.5
AXC150B-ES	13.2	5.8	1.0	9.1	12.5
AXC200A-ES	13.2	7.8	1.0	9.1	12.0
AXC200B-ES	13.2	7.8	1.0	9.1	15.0
AXC250-ES	13.2	9.8	1.0	9.1	15.0
AXC300A-ES	15.9	11.8	1.2	11.8	18.0
AXC300B-ES	15.9	11.8	1.2	11.8	18.0

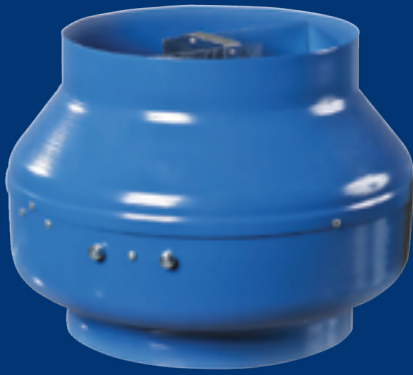
\*DO NOT USE FOR CONSTRUCTION

CONSULT FACTORY FOR CERTIFIED PRINTS



# DUCT FANS

## AXS EC IN-LINE DUCT FANS



With its efficient electronically commutated (EC) motorized impeller, AXS EC In-Line Duct Fans set new standards for efficiency and versatility. The efficient backward-curved impeller can develop significant pressure. AXS EC fans are suitable for residential, commercial and light industrial ventilation applications.

### Features & Benefits

- Efficient electronically commutated (EC) motorized impeller
- Energy efficient
- Corrosion resistant, durable steel housing with polymer coating
- 120V, 60 Hz operation; single phase
- Easy to install - mounting brackets included
- Suitable for air temperatures up to 105 F
- Optional pre-wired with 120V power cord (AXS-EC-C)
- Speed controllable 0-10 V
- External rotor motor design results in superior motor cooling
- Rated for continuous operation
- Permanently lubricated ball bearing motor for maintenance-free operation
- Automatic reset thermal overload protection
- Fan and motor are precision balanced for quiet, vibration-free operation
- Available to fit duct sizes 4" -12"
- Airflow capacities to 801 cfm

**Controls & Accessories ~ pages 24-25**

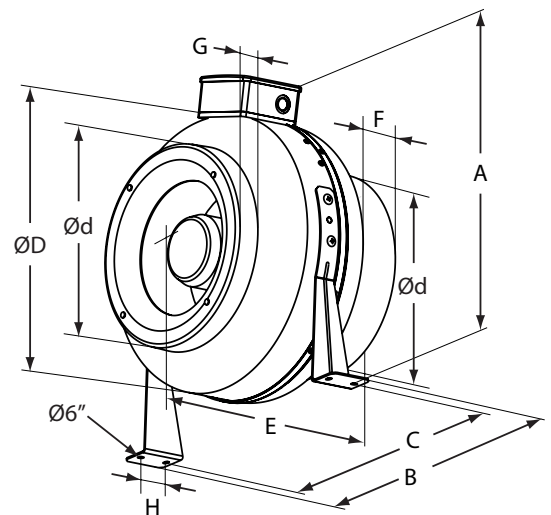
MODEL	WATTS	RPM	AIRFLOW PERFORMANCE (CFM)											
			0" SP	0.125" SP	0.2" SP	0.25" SP	0.375" SP	0.5" SP	0.75" SP	1.0" SP	1.25" SP	1.5" SP	2.5" SP	
AXS100-EC	33.0	2760	151	141	135	130	120	110	90	70	49	29		
AXS125-EC	57.1	3396	248	239	231	225	211	198	170	143	115	88		
AXS150-EC	75.1	3336	306	299	291	285	272	258	231	204	176	149	40	
AXS200-EC	99.0	2820	539	510	494	484	458	432	380	328	277	225	18	
AXS250-EC	133.6	2628	667	600	586	577	553	530	484	438	392	346	161	
AXS300-EC	173.5	2796	801	741	726	716	690	665	614	563	512	461	257	

WATTS ARE INDICATED AT 100% SPEED FOR PRE-WIRED WITH 120V POWER CORD, ADD -C TO MODEL.

MODEL	DIMENSIONS IN INCHES*										SHIP WT (lbs)
	DUCT DIA.	ØD	Ød	A	B	C	E	F	G	H	
AXS100-EC	4"	10.0	3.9	13.4	12.2	10.6	8.0	0.8	1.0	1.2	7.0
AXS125-EC	5"	10.0	4.8	13.4	12.2	10.6	8.0	0.8	1.0	1.2	6.8
AXS150-EC	6"	12.0	5.8	14.2	14.2	12.6	7.9	0.8	1.0	1.2	8.2
AXS200-EC	8"	13.6	7.8	17.1	15.6	14.0	9.6	1.0	1.2	1.6	11.2
AXS250-EC	10"	13.6	9.8	17.1	15.6	14.0	9.8	1.0	1.2	1.6	12.8
AXS300-EC	12"	15.9	11.9	18.3	17.9	16.3	10.2	1.2	1.2	1.6	15.8

\*DO NOT USE FOR CONSTRUCTION

CONSULT FACTORY FOR CERTIFIED PRINTS



**AXP IN-LINE DUCT FANS**



AXP In-Line Duct Fans are designed for residential, commercial and light industrial ventilation applications. The quiet, efficient backward-curved motorized impeller is capable of developing significant pressure, and the in-line configuration simplifies installation.

**Features & Benefits**

- UV and corrosion resistant, durable plastic housing
- 120V operation, other voltages available
- Easy to install - mounting brackets included
- May be mounted in any position
- Fans may be used to supply or exhaust air
- Suitable for air temperatures up to 122 F
- Energy efficient - speed controllable (optional solid state speed control)
- Optional pre-wired with 120V power cord (AXP-C)
- Exceptionally quiet and efficient BC centrifugal motorized impeller
- External rotor motor design results in superior motor cooling and durability
- Permanently lubricated ball bearing motor for maintenance-free operation
- Automatic reset thermal overload protection
- Fan and motor are precision balanced for quiet, vibration-free operation
- Easily accessible, external junction box with pre-wired capacitor
- Available to fit duct sizes 4" - 12"; airflow capacities to 837 cfm

**Controls & Accessories ~ pages 24-25**

MODEL	WATTS	RPM	AIRFLOW PERFORMANCE (CFM)					
			0" SP	0.2" SP	0.5" SP	0.75" SP	1.0" SP	1.5" SP
AXP100	106	3088	162	150	134	120	104	67
AXP125	114	2960	235	214	178	151	123	72
AXP150	113	2907	317	289	247	212	178	68
AXP200	142	2650	583	544	462	390	320	196
AXP250	293	2604	735	675	588	507	432	307
AXP300	271	2741	837	772	659	564	474	307

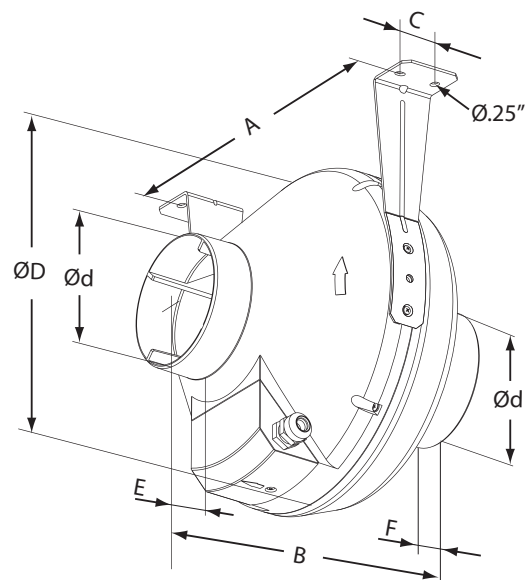
FOR PRE-WIRED WITH 120V POWER CORD, ADD -C TO MODEL.

MODEL	DIMENSIONS IN INCHES*								SHIP WT (lbs)
	DUCT DIA.	ØD	Ød	A	B	C	E	F	
AXP100	4"	9.8	3.9	10.6	9.1	1.2	1.2	1.1	7.0
AXP125	5"	9.8	4.9	10.6	8.7	1.2	1.2	1.1	7.0
AXP150	6"	11.8	5.9	12.2	11.3	1.2	1.2	1.2	8.0
AXP200	8"	13.4	7.9	13.9	10.9	1.6	1.2	1.2	9.0
AXP250	10"	13.4	9.8	13.9	10.4	1.6	1.2	1.2	12.0
AXP300**	12"	15.8	12.3	16.3	16.3	1.6	1.6	2.2	14.0

\*DO NOT USE FOR CONSTRUCTION

CONSULT FACTORY FOR CERTIFIED PRINTS

\*\*INCLUDES 2 DUCT REDUCERS TO FIT 12" DUCT





**MBI CENTRIFUGAL IN-LINE FANS**



MBI Centrifugal In-Line Fans are designed for residential and light commercial ventilation applications. Multiple source ducting options offer the perfect solution for whole house ventilation in multi-unit housing complexes.

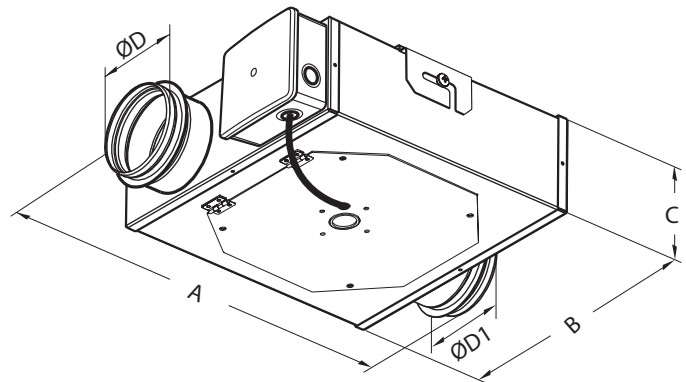
**Features & Benefits**

- Steel housing with corrosion resistant finish
- 120V operation, other voltages available
- Removable fan cover for easy maintenance
- Easy to install - mounting brackets included
- Multiple source ducting options
- Fans may be used to supply or exhaust air
- Suitable for air temperatures from -13 F to 140 F
- Energy efficient - speed controllable (optional solid state speed control)
- Exceptionally quiet and efficient BC centrifugal motorized impeller
- Single-phase asynchronous external rotor motor
- Permanently lubricated ball bearing motor for maintenance-free operation
- Automatic reset thermal overload protection
- Fan and motor are precision balanced for quiet, vibration-free operation
- Easily accessible, external junction box with pre-wired capacitor
- Available to fit duct sizes 4", 5" & 6"; airflow capacities to 290 cfm

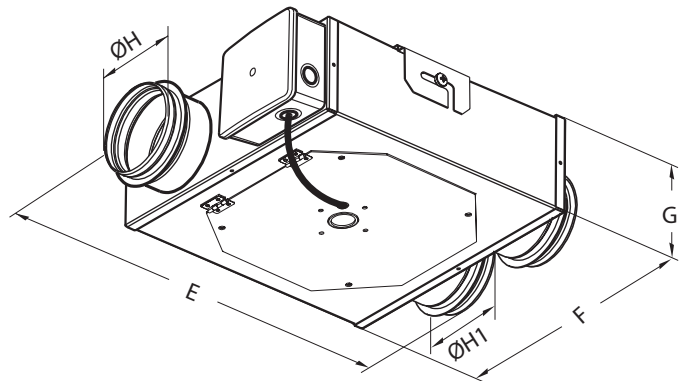
**Controls & Accessories ~ pages 24-25**

MODEL	WATTS	RPM	AIRFLOW PERFORMANCE (CFM)									
			0" SP	0.125" SP	0.20" SP	0.25" SP	0.50" SP	0.75" SP	1.0" SP	1.25" SP	1.5" SP	1.75" SP
MBI100	105	3090	147	143	139	137	123	110	99	90	76	56
MBI125	113	2920	173	169	165	162	147	126	106	85	58	30
MBI150	110	2020	221	214	206	200	171	145	120	92	65	36
MBI125/100	117	2920	232	225	219	216	197	173	148	125	99	73
MBI150/125	110	2155	290	273	262	252	211	178	146	114	84	57

IN-LINE BOOSTER FAN							
DIMENSIONS IN INCHES*							
MODEL	DUCT DIA.	A	B	C	ØD	ØD1	SHIP WT (lbs)
MBI100	4"	14.3	9.9	4.8	3.9	3.9	12.0
MBI125	5"	16.6	9.9	5.7	4.9	4.9	12.0
MBI150	6"	19.7	11.8	7.1	5.9	5.9	16.0



TWIN INTAKE FAN							
DIMENSIONS IN INCHES*							
MODEL	DUCT DIA.	E	F	G	ØH	ØH1	SHIP WT (lbs)
MBI125/100	5" / 4"	16.6	9.9	5.7	4.9	3.9	12.0
MBI150/125	6" / 5"	19.7	11.8	7.1	5.9	4.9	16.0



\*DO NOT USE FOR CONSTRUCTION CONSULT FACTORY FOR CERTIFIED PRINTS



# DUCT FANS

## EXM EXTERNAL MOUNT DUCT FANS



EXM External Mount Duct Fans offer the perfect solution when limited space prevents the use of an in-line duct fan. Access and maintenance are simplified with the through-the-wall design of an EXM fan that mounts on an exterior wall.

### Features & Benefits

- Steel housing with polymer coating
- Removable fan cover for easy maintenance
- Sidewall mounted on the exterior of a building
- Quiet and efficient BC centrifugal motorized impeller
- External rotor motor design results in superior motor durability
- Suitable for air streams up to 113 F
- 120V, 60 Hz, single phase operation
- Permanently lubricated ball bearing motor for maintenance-free operation
- Automatic reset thermal overload protection
- IP X4 protection
- Fits 4", 5", 6" & 8" duct
- Airflow capacity to 306 cfm
- Two-year warranty

**Controls & Accessories ~ pages 24-25**

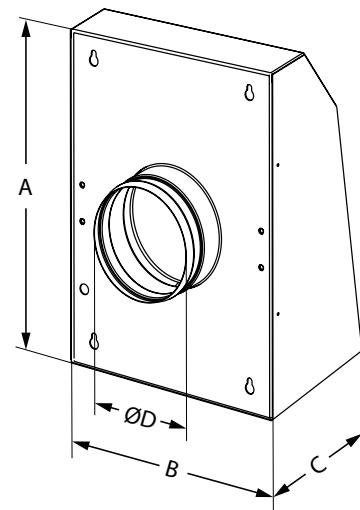
MODEL	WATTS*	RPM*	AIRFLOW PERFORMANCE (CFM)				
			0" SP	0.25" SP	0.5" SP	1.0" SP	1.5" SP
EXM100	108	3100	238	223	204	134	30
EXM125	108	2950	248	231	213	146	25
EXM150	109	2250	302	286	256	159	27
EXM200	106	2300	306	291	258	148	9

\*RPM AND WATTS ARE INDICATED AT 0.2" SP

MODEL	DIMENSIONS IN INCHES*					SHIP WT (lbs)
	DUCT DIA.	ØD	A	B	C	
EXM100	4"	3.9	14.0	10.3	5.4	9.0
EXM125	5"	4.9	14.0	10.3	5.4	9.0
EXM150	6"	5.9	15.8	11.8	5.4	9.9
EXM200	8"	7.9	15.8	11.8	5.4	9.9

\*DO NOT USE FOR CONSTRUCTION

CONSULT FACTORY FOR CERTIFIED PRINTS



### RESIDENTIAL & COMMERCIAL VENTILATION APPLICATIONS:

- Bathroom exhaust
- Kitchen ventilation
- Crawl space ventilation
- Whole house ventilation
- Garages
- Office
- Warehouse
- Restaurant

**EXT EXTERNAL MOUNT DUCT FANS**



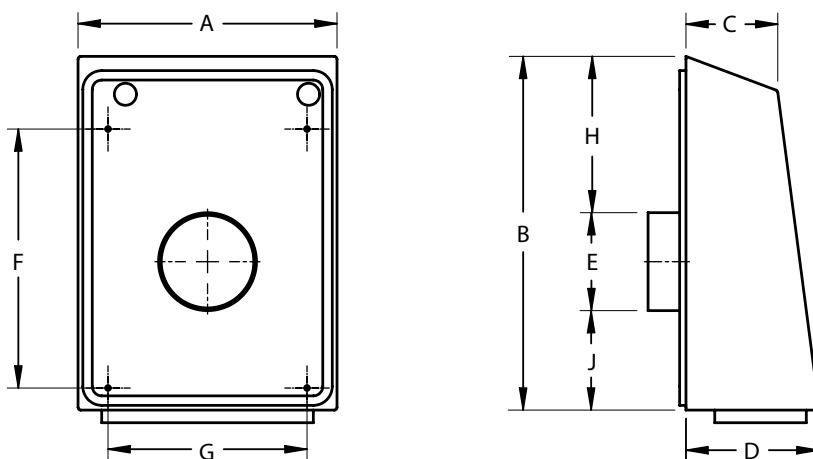
EXT External Mount Duct Fans offer the perfect solution when space restrictions prevent the use of in-line duct fans. EXT fans provide a simple through-the-wall solution, and can be mounted on the exterior of a building to allow for easy access to the fan.

**Features & Benefits**

- Heavy gauge, galvanized steel housing with baked epoxy finish
- 120V operation
- May be mounted on the exterior of a building
- Enclosed motor housing for dust and lint
- Suitable for air temperatures up to 140 F / 60 C
- Energy efficient - speed controllable (optional solid state speed control)
- Rugged construction for long life
- Built-in backdraft damper
- Exceptionally quiet and efficient BC centrifugal motorized impeller
- External rotor motor design results in superior motor cooling and durability
- Permanently lubricated ball bearing motor for maintenance-free operation
- Automatic reset thermal overload protection
- Fan and motor are precision balanced for quiet, vibration-free operation
- Pre-wired capacitor
- Fits 4" duct; airflow capacities to 177 cfm

**Controls & Accessories ~ pages 24-25**

MODEL	WATTS	RPM	AIRFLOW PERFORMANCE (CFM)									
			0" SP	0.1" SP	0.2" SP	0.3" SP	0.4" SP	0.5" SP	0.8" SP	1.0" SP	1.3" SP	1.5" SP
EXT100A	66	1560	118	101	91	84	72	62	44	28	16	
EXT100B	81	2260	177	163	155	150	140	125	100	72	47	26

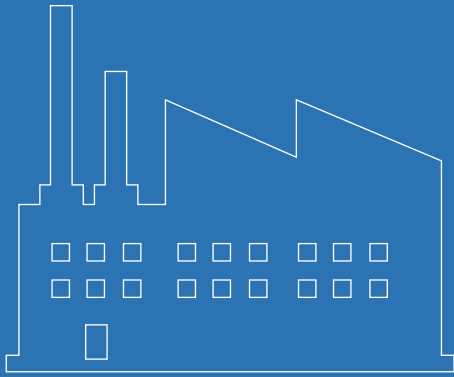


MODEL	DIMENSIONS IN INCHES*									SHIP WT (lbs)
	A	B	C	D	E	F	G	H	J	
EXT100A	10.2	14.0	3.6	5.2	3.8	10.3	7.9	6.2	3.8	11.6
EXT100B	10.2	14.0	3.6	5.2	3.8	10.3	7.9	6.2	3.8	11.6

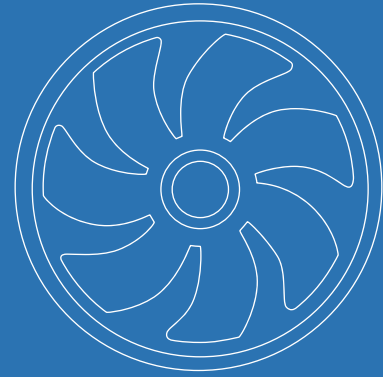
\*DO NOT USE FOR CONSTRUCTION

CONSULT FACTORY FOR CERTIFIED PRINTS





***Industrial Fans  
& Blowers***



***OEM Solutions  
& Custom Fans***



***Commercial Fans  
& Dampers***



***Residential Fans &  
Air Purifiers***



# Wholesale Ventilation Products

Continental Fan Manufacturing Inc.  
Buffalo, NY ~ Dayton, OH

Continental Fan Canada Inc.  
Mississauga, ON

[www.continentalfan.com](http://www.continentalfan.com)  
1-800-779-4021

Distributed by:

