

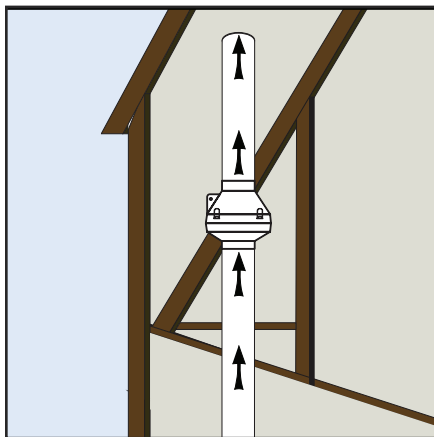
## ARI-C RADON FANS

ARI-C Radon Fans are designed for radon mitigation systems that are used to exhaust radon gas from a home. Caused by the decay of uranium in soil, radon is a naturally occurring, radioactive and dangerous gas that emits from the ground and tends to accumulate in poorly ventilated areas of a home. A radon mitigation system typically consists of a port over the area to be ventilated (usually sub-slab), ducting and an ARI-C fan that discharges the contaminated air to atmosphere, normally above the roofline of a home.

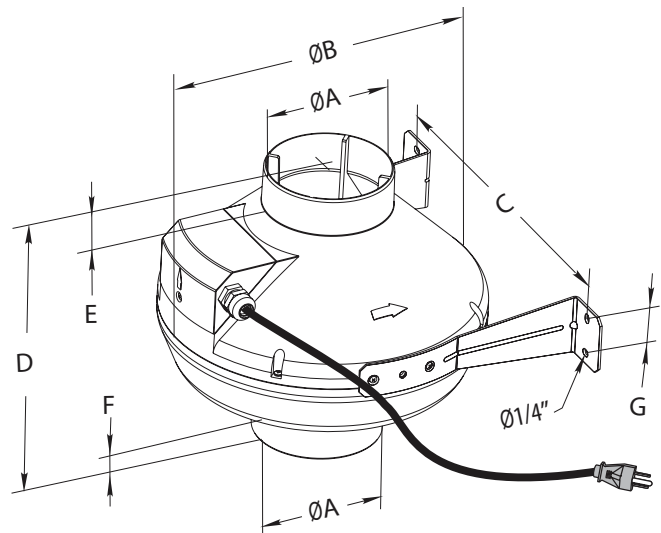


### Design Features

- Quiet, powerful operation
- Factory sealed, water tight housing and junction box
- UV and corrosion resistant, durable plastic housing
- Pre-wired 120V power cord
- Easy to install - mounting brackets included
- May be mounted in an interior space like a basement, crawl space or attic
- Ideal for long duct runs
- Suitable for air temperatures up to 122 F
- Exceptionally quiet and efficient BC centrifugal motorized impeller
- External rotor motor design results in superior motor cooling and durability
- Permanently lubricated ball bearing motor for maintenance-free operation
- Automatic reset thermal overload protection
- Fan and motor are precision balanced for quiet and vibration-free operation
- Easily accessible, external junction box
- Available to fit duct sizes 4" - 8"; airflow capacity to 583 cfm



Interior Installation



MODEL	RPM	WATTS	AIRFLOW PERFORMANCE (CFM)				
			0" SP	0.2" SP	0.5" SP	1.0" SP	1.5" SP
ARI100-C	3088	106	162	150	134	104	67
ARI125-C	2960	114	235	214	178	123	72
ARI150-C	2907	113	317	289	247	178	68
ARI200-C	2650	142	583	544	462	320	196

\*DO NOT USE FOR CONSTRUCTION

MODEL	DIMENSIONS IN INCHES*								SHIP WT (LBS)
	DUCT DIA.	ØA	ØB	C	D	E	F	G	
ARI100-C	4"	3.9	9.8	10.6	9.1	1.2	1.1	1.2	7.0
ARI125-C	5"	4.9	9.8	10.6	8.7	1.2	1.1	1.2	7.0
ARI150-C	6"	5.9	11.8	12.2	11.3	1.2	1.2	1.2	8.0
ARI200-C	8"	7.9	13.4	13.9	10.9	1.2	1.2	1.6	9.0

CONSULT FACTORY FOR CERTIFIED PRINTS