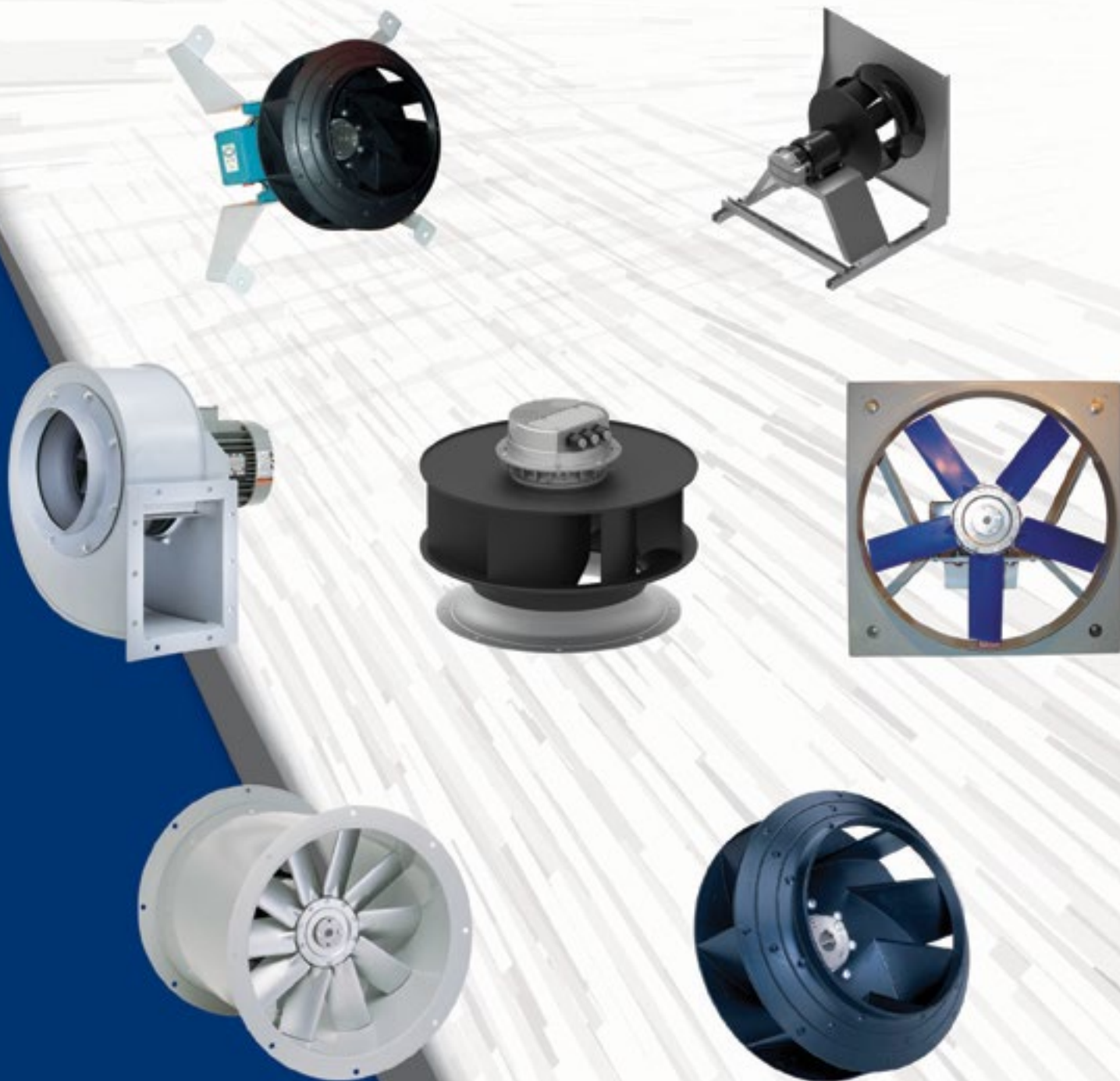




## *OEM Solutions & Custom Fans*



*... better AIRFLOW by DESIGN!*

# OEM SOLUTIONS & CUSTOM FANS

## HISTORY, DEDICATION, AND EXPERIENCE



Continental Fan was established in 1986 to manufacture and distribute quality ventilation equipment. Our objectives then were simple ... to provide superior products, dependable service, competitive pricing, and a knowledgeable staff to satisfy our customers' needs. They remain unchanged today.

Industry leading **CFM** air moving equipment has earned an excellent reputation through years of exceptional performance and reliable operation. We offer the largest quick ship program available and fast deliveries for those products not in stock.

Our experienced and friendly staff delivers customer service that is second to none. We are happy to entertain inquiries for custom fans and provide our customers with 3D models for their air moving solutions. In short, we provide ... **better AIRFLOW by DESIGN™**.

### TABLE OF CONTENTS

#### EC HIGH EFFICIENCY MOTORIZED IMPELLERS

- [EC Centrifugal Impellers \(EC\)](#) ..... 3
- [TME Centrifugal Impellers \(EC\)](#) ..... 4
- [CEC Centrifugal Impellers \(EC\)](#) ..... 6
- [DXG & DXP Motorized Axial Fans \(EC\)](#) ..... 7

#### DC MOTORIZED IMPELLERS

- [DC Centrifugal Impellers \(DC\)](#) ..... 8
- [DXG & DXP Motorized Axial Fans \(DC\)](#) ..... 9

#### AC MOTORIZED IMPELLERS

- [TMA Centrifugal Impellers \(AC\)](#) ..... 10
- [TMK Centrifugal Impellers \(AC\)](#) ..... 12
- [RCM Centrifugal Impellers \(AC\)](#) ..... 13
- [CMI Centrifugal Impellers \(AC\)](#) ..... 14
- [XR Centrifugal Impellers \(AC\)](#) ..... 15
- [DXG & DXP Motorized Axial Fans \(AC\)](#) ..... 16

#### MOTORIZED IMPELLERS

- [Wiring Diagrams](#) ..... 17

#### OEM & REPLACEMENT IMPELLERS

- [TEK Centrifugal BC Airfoil Impellers](#) ..... 18
- [Axial Airfoil Impellers](#) ..... 19

#### CABINET COOLING FANS

- [TNC Centrifugal Cooling Fans](#) ..... 20

#### PLUG & PLENUM FANS

- [TEK Plug Fans](#) ..... 21

#### PLUG & PLENUM FANS

- [TEK Plenum Fans](#) ..... 22
- [TEK-ECM Plenum Fans](#) ..... 23

#### PANEL & FLANGE FANS

- [AFK Direct Drive Flange Fans](#) ..... 24
- [AFK-ECM Direct Drive Flange Fans](#) ..... 25
- [APW Direct Drive Panel Fans](#) ..... 26
- [APK Direct Drive Panel Fans](#) ..... 27
- [SEF, GEF & PEF Wall Fans](#) ..... 28

#### CENTRIFUGAL FANS & BLOWERS

- [TCC Motorized Blowers](#) ..... 29
- [TCD BC Airfoil Blowers](#) ..... 30
- [TFD Flange Mount Blowers](#) ..... 31
- [KRD Radial Blade Blowers](#) ..... 32
- [PRD Radial Blade Pressure Blowers](#) ..... 33

#### IN-LINE FANS

- [TID Direct Drive Centrifugal In-Line Fans](#) ..... 34
- [AID Direct Drive Axial In-Line Fans](#) ..... 35
- [AIB Belt Drive Tubeaxial Fans](#) ..... 36
- [AXC In-Line Duct Fans](#) ..... 37

#### DAMPERS

- [IRIS Dampers](#) ..... 38
- [BDD Backdraft Dampers](#) ..... 39

#### CONTROLS

- [SCN Single Phase AC Controls](#) ..... 40
- [VFD Three Phase AC Controls](#) ..... 41

### CFM SELECT

For latest pricing and fan selection, create an account at [cfmselect.com](http://cfmselect.com).



### TERMS & CONDITIONS OF SALE

For terms and conditions of sale, visit [continentalfan.com](http://continentalfan.com).



# EC HIGH EFFICIENCY MOTORIZED IMPELLERS

## EC CENTRIFUGAL IMPELLERS (EC)

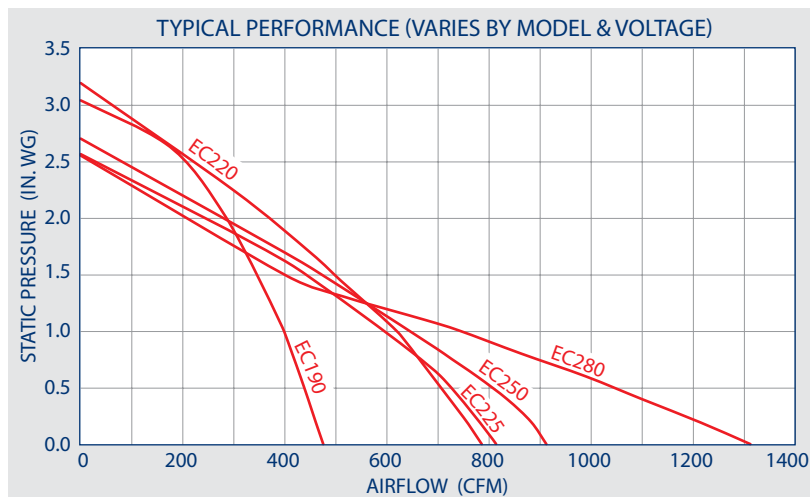
### FEATURES & BENEFITS

- EC (Electronically Commutated) external rotor motor
- 1-10 VDC or PWM motor control
- High efficiency backward curved impeller
- Compact design, superior performance
- Matching inlet cones included
- Input voltage: 208 - 277V 50/60 Hz single phase
- Permissible ambient temperature range: -4 F to 140 F
- Capacities to 1,139 cfm
- ErP and RoHs compliant
- UL approved (all models except EC280-2B78-1292)



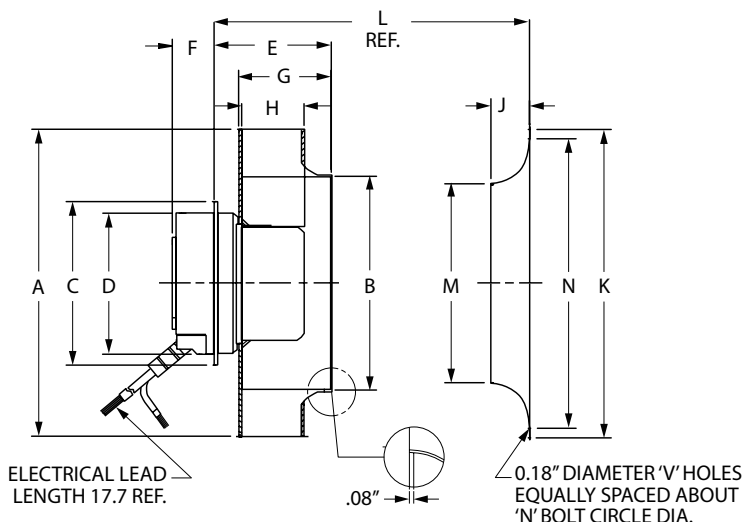
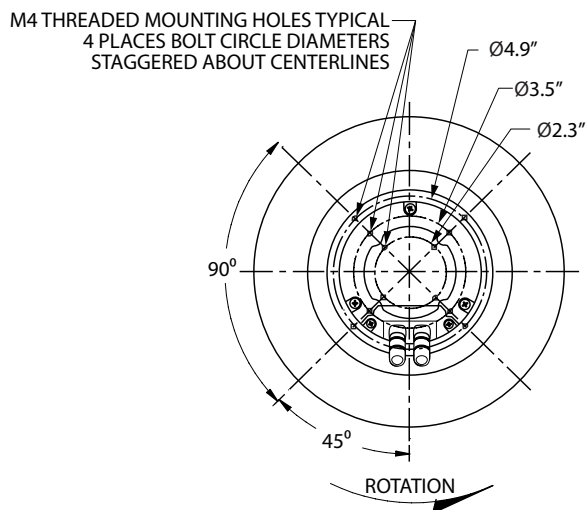
### APPLICATIONS

- Heat exchangers
- Clean room modules
- Electronic cabinet cooling



208-277V - 1 PHASE		50/60 Hz PERFORMANCE			
PART NUMBER	CFM	RPM	WATTS	AMPS	dba
EC190-2B34-1292	476	3980	134	1.1	82
EC220-2B42-1292	786	3600	166	1.3	83
EC225-2B65-1292	815	3000	135	1.1	79
EC250-2B61-1292	913	2800	150	1.2	82
EC280-2B78-1292	1314	2300	175	1.3	72

FOR OTHER VOLTAGES, CONSULT FACTORY.  
ACTUAL PERFORMANCE MAY VARY BY APPLICATION.



MODEL	DIMENSIONS IN INCHES*														
	A	B	C	D	E	F	G	H	J	K	L	M	N	V	
EC190-2B34-1292	7.5	5.2	5.2	4.5	3.5	1.3	2.5	1.3	0.6	6.7	4.0	4.9	6.2	4	
EC220-2B42-1292	8.7	6.3	5.2	4.5	3.1	1.3	2.5	1.7	0.8	10.0	3.8	6.0	9.6	4	
EC225-2B65-1292	8.9	6.0	5.2	4.5	4.2	1.3	3.6	2.5	1.1	8.8	5.2	5.7	8.3	4	
EC250-2B61-1292	9.8	6.8	5.2	4.5	4.2	1.3	3.6	2.4	1.2	10.0	5.3	6.5	9.4	4	
EC280-2B78-1292	11.1	7.5	5.2	4.5	5.5	1.3	4.3	3.1	1.2	11.8	6.6	6.9	11.5	6	

\*DO NOT USE FOR CONSTRUCTION

CONSULT FACTORY FOR CERTIFIED PRINTS

# EC HIGH EFFICIENCY MOTORIZED IMPELLERS

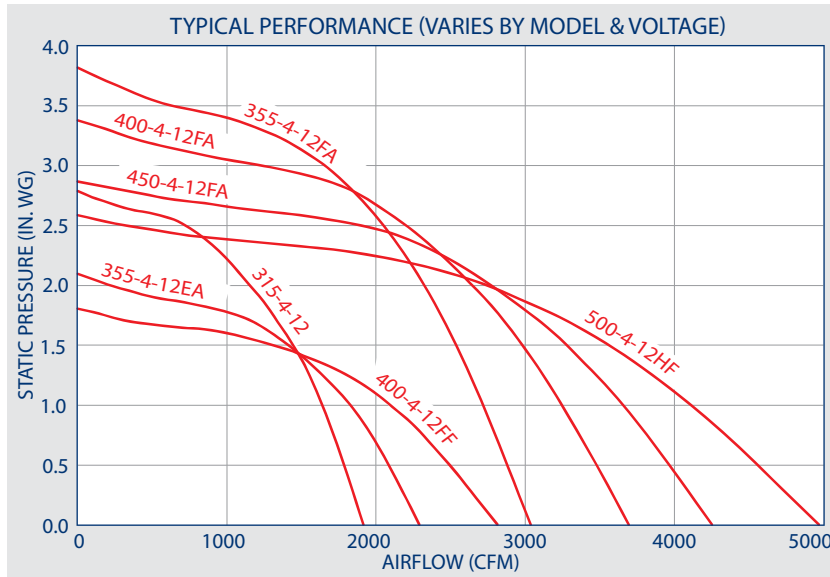
## TME CENTRIFUGAL IMPELLERS (EC) - 1 PHASE

### FEATURES & BENEFITS

- High efficiency: ErP qualified at 50 Hz
- EC external rotor motor
- Dual frequency motor (50 Hz & 60 Hz)
- Permissible ambient temperature range: -4 F to 104 F
- 1-10 VDC or PWM motor control
- Capacities to 5,000 cfm
- UL & CE approved

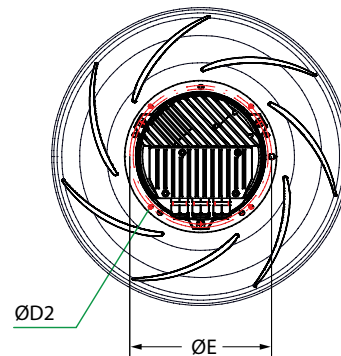
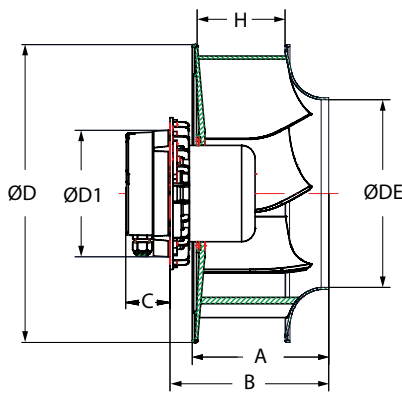
### APPLICATIONS

- Heat exchangers
- Clean room modules
- Electronic cabinet cooling



200-277V - 1 PHASE		50/60 Hz PERFORMANCE			
PART NUMBER	CFM	RPM	WATTS	CFM/W	AMPS @230VAC
TME315-4-12	1914	2200	500	6.2	2.8
TME355-4-12EA	2289	1650	500	8.2	2.7
TME355-4-12FA	3035	2250	1120	4.0	5.0
TME400-4-12FF	2812	1380	500	9.4	2.8
TME400-4-12FA	3692	1875	1150	4.9	5.1
TME450-4-12FA	4250	1550	1150	6.0	5.1
TME500-4-12HF	4966	1300	1150	7.1	5.1

FOR OTHER VOLTAGES, CONSULT FACTORY.  
ACTUAL PERFORMANCE MAY VARY BY APPLICATION.



MODEL	DIMENSIONS IN INCHES*									
	A	B	C	D	D1	D2	DE	E	H	
TME315-4-12	5.6	6.6	1.5	13.3	5.9	M6/4 X 90	8.3	6.5	3.5	
TME355-4-12EA	6.8	7.9	1.5	14.8	5.9	M6/4 X 90	9.3	6.5	4.4	
TME355-4-12FA	8.1	8.1	2.3	14.8	7.1	M6/4 X 90	9.3	8.0	4.4	
TME400-4-12FF	7.6	8.6	1.5	16.7	5.9	M6/4 X 90	10.5	6.5	4.9	
TME400-4-12FA	7.6	8.9	2.3	16.7	7.1	M6/4 X 90	10.5	8.0	4.9	
TME450-4-12FA	8.4	9.5	2.3	18.8	7.1	M6/4 X 90	11.7	8.0	5.4	
TME500-4-12HF	9.4	10.4	2.3	21.0	7.1	M6/4 X 90	13.2	8.0	6.1	

\*DO NOT USE FOR CONSTRUCTION

CONSULT FACTORY FOR CERTIFIED PRINTS

# EC HIGH EFFICIENCY MOTORIZED IMPELLERS

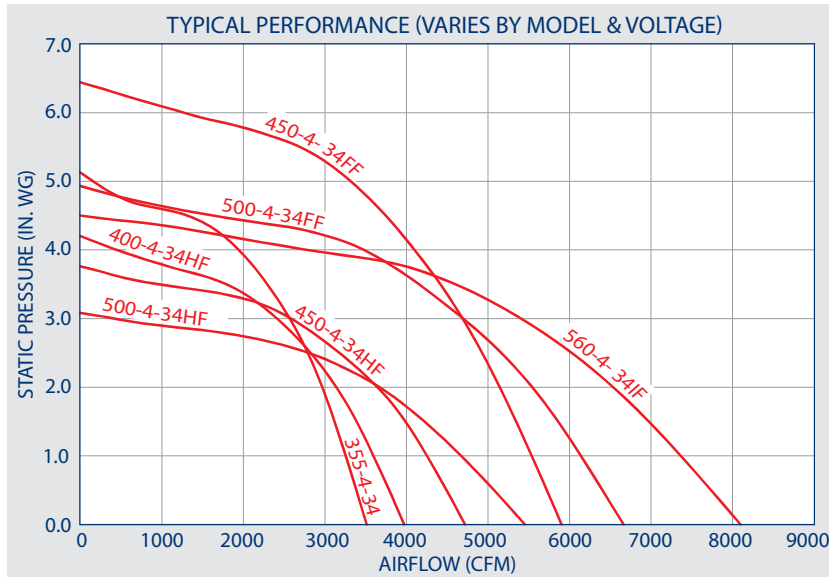
## TME CENTRIFUGAL IMPELLERS (EC) - 3 PHASE

### FEATURES & BENEFITS

- High efficiency: ErP qualified at 50 Hz
- EC external rotor motor
- 200-240V, three phase available
- Dual frequency motor (50 Hz & 60 Hz)
- Permissible ambient temperature range: -4 F to 104 F
- 1-10 VDC or PWM motor control
- Capacities to 8,095 cfm
- UL & CE approved

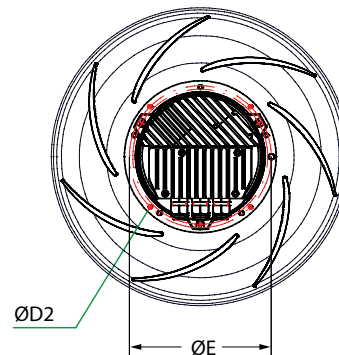
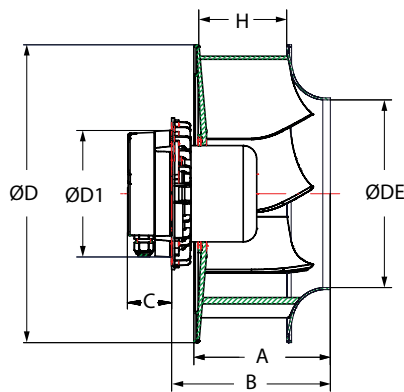
### APPLICATIONS

- Heat exchangers
- Clean room modules
- Electronic cabinet cooling



380-480V - 3 PHASE		50/60 Hz PERFORMANCE			
PART NUMBER	CFM	RPM	WATTS	CFM/W	AMPS @400VAC
TME355-4-34	3512	2600	1700	3.1	2.8
TME400-4-34HF	3971	2100	1600	3.6	2.5
TME450-4-34HF	4717	1775	1650	4.4	2.7
TME450-4-34FF	5902	2300	3500	2.4	5.1
TME500-4-34HF	5452	1425	1500	5.8	2.4
TME500-4-34FF	6662	1800	2900	3.4	4.4
TME560-4-34IF	8095	1550	3260	3.7	5.0

FOR OTHER VOLTAGES, CONSULT FACTORY.  
ACTUAL PERFORMANCE MAY VARY BY APPLICATION.



MODEL	DIMENSIONS IN INCHES*								
	A	B	C	D	D1	D2	DE	E	H
TME355-4-34	6.8	8.1	2.5	14.8	7.1	M6/4 X 90	9.3	8.0	4.4
TME400-4-34HF	7.6	8.9	2.5	16.7	7.1	M6/4 X 90	10.5	8.0	4.9
TME450-4-34HF	8.4	9.5	2.5	18.8	7.1	M6/4 X 90	11.7	8.0	5.4
TME450-4-34FF	8.4	10.0	2.8	18.8	9.3	M10/8 X 45	11.7	9.9	5.4
TME500-4-34HF	9.4	10.4	2.5	21.0	7.1	M6/4 X 90	13.2	8.0	6.1
TME500-4-34FF	9.4	10.9	2.8	21.0	9.3	M10/8 X 45	13.2	9.9	6.1
TME560-4-34IF	10.6	12.2	2.8	23.4	9.3	M10/8 X 45	14.8	9.9	6.9

\*DO NOT USE FOR CONSTRUCTION

CONSULT FACTORY FOR CERTIFIED PRINTS

# EC HIGH EFFICIENCY MOTORIZED IMPELLERS

## CEC CENTRIFUGAL IMPELLERS (EC)

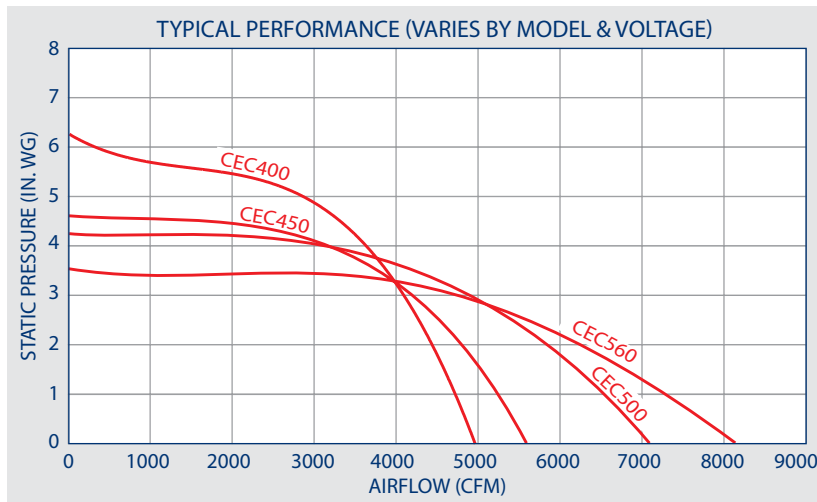
### FEATURES & BENEFITS

- EC (Electronically Commutated) external rotor motor
- 1-10VDC or PWM motor control
- Dual frequency motor (50 Hz & 60 Hz)
- Maximum speed available across entire voltage range in either 50 Hz or 60 Hz
- Integral EC electronics
- Permissible ambient temperature range: -4 F to 104 F
- Available housed or non-housed
- Capacities to 8,050 cfm
- UL & CE approved



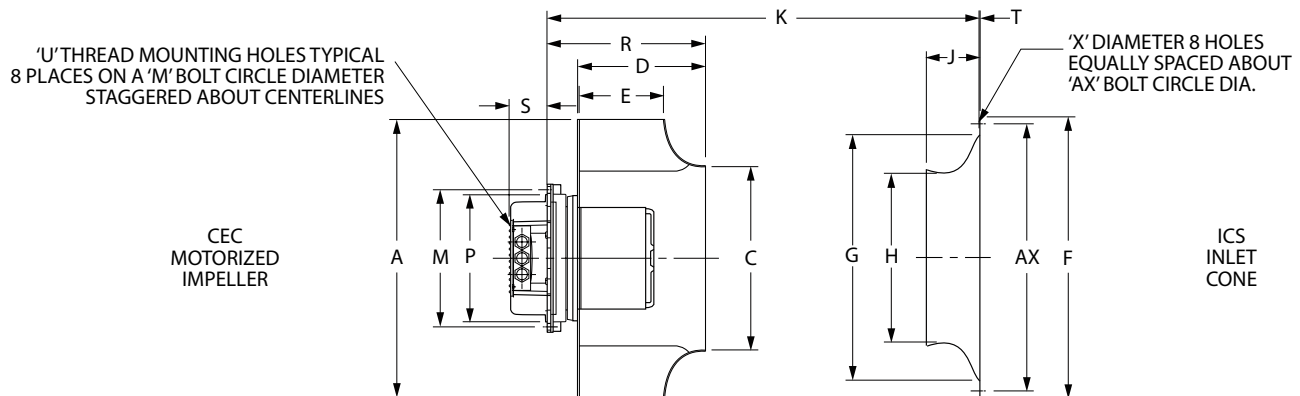
### APPLICATIONS

- Military HRAC
- Air filtration
- Clean room modules
- Heat exchangers
- Electronic cabinet cooling
- Pharmaceutical equipment



380V-480V - 3 PHASE		50/60 Hz PERFORMANCE		
PART NUMBER	CFM	RPM	WATTS	AMPS
CEC400-4-34	4975	2690	3580	5.6
CEC450-4-34	5550	2050	3100	4.9
CEC500-4-34	7020	1750	3500	5.4
CEC560-4-34	8050	1400	3100	4.8

FOR OTHER VOLTAGES, CONSULT FACTORY.  
ACTUAL PERFORMANCE MAY VARY BY APPLICATION.



DIMENSIONS SHOWN ARE FOR NON-HOUSED UNITS. CONSULT FACTORY FOR DIMENSIONS ON HOUSED UNITS.

MODEL	DIMENSIONS IN INCHES*																WT (lbs)	
	A	C	D	E	F	G	H	J	K	M	P	R	S	T	U	X		AX
CEC400	15.9	10.5	7.2	4.8	16.6	14.0	9.8	3.0	12.2	9.9	9.3	9.5	2.8	0.1	M10	0.4	15.6	39.6
CEC450	17.9	11.8	8.2	5.4	18.3	15.8	10.9	3.2	13.4	9.9	9.3	10.4	2.8	0.1	M10	0.4	17.2	42.9
CEC500	20.1	13.3	9.2	6.1	20.3	17.7	12.2	3.8	14.9	9.9	9.3	11.4	2.8	0.1	M10	0.5	19.3	55.0
CEC560	22.4	14.8	10.3	6.9	22.2	19.7	13.7	4.2	16.2	9.9	9.3	12.5	2.8	0.1	M10	0.5	21.3	58.3

\*DO NOT USE FOR CONSTRUCTION

CONSULT FACTORY FOR CERTIFIED PRINTS

# EC HIGH EFFICIENCY MOTORIZED IMPELLERS

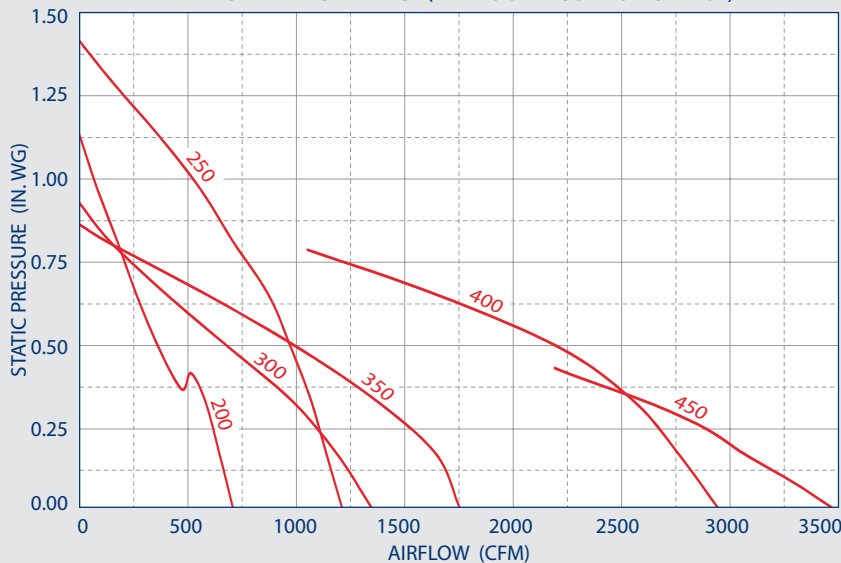
## DXG & DXP MOTORIZED AXIAL FANS (EC)

### FEATURES & BENEFITS

- EC (Electronically Commutated) external rotor motor
- 1-10 VDC or PWM motor control
- Excellent air and sound performance characteristics
- 100% speed controllable
- IP44 motor protection
- Input voltage: 208-277 V 50/60 Hz single phase
- Capacities to 3,469 cfm
- ErP and RoHS compliant



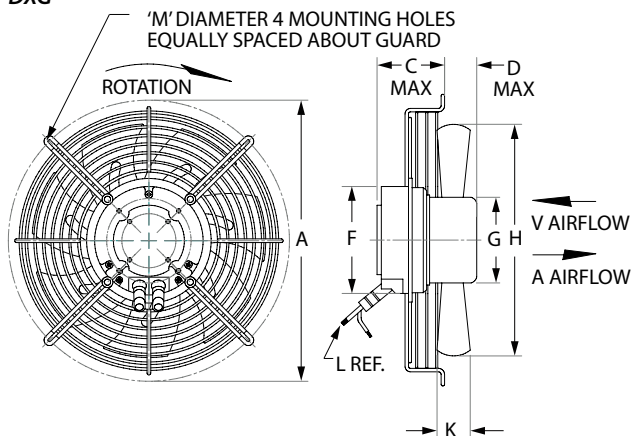
TYPICAL PERFORMANCE (VARIES BY MODEL & VOLTAGE)



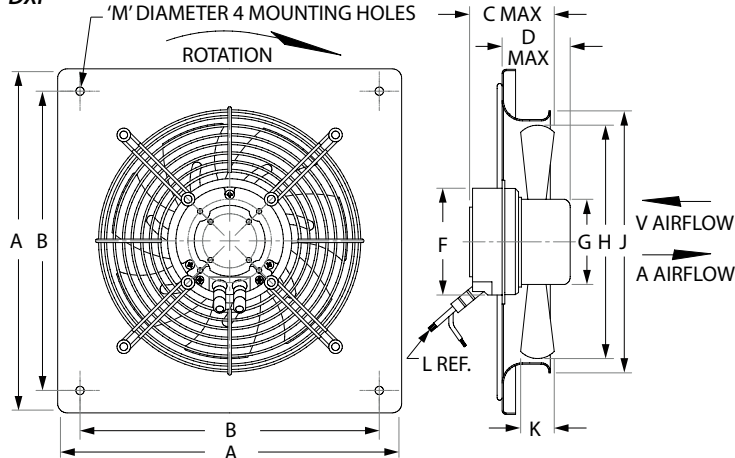
208-277V - 1 PHASE		50/60 Hz PERFORMANCE			
PART NUMBER	CFM	RPM	WATTS	AMPS	dB(A)
DXG200-2EC-12	709	2820	88	0.7	60
DXG250-2EC-12	1210	3050	175	1.3	69
DXG300-2EC-12	1346	1768	95	0.7	64
DXG350-2EC-12	1752	1732	162	1.2	65
DXG400-2EC-12	2943	1600	345	1.6	69
DXG450-2EC-12	3469	1310	355	1.6	69
DXP200-2EC-12	709	2820	88	0.7	64
DXP250-2EC-12	1210	3050	175	1.3	73
DXP300-2EC-12	1346	1768	95	0.7	69
DXP350-2EC-12	1752	1732	162	1.2	69
DXP400-2EC-12	2943	1600	345	1.6	74
DXP450-2EC-12	3469	1310	355	1.6	73

FOR OTHER VOLTAGES, CONSULT FACTORY. ACTUAL PERFORMANCE MAY VARY BY APPLICATION.

### DXG



### DXP



AIRFLOW DIRECTION TO BE INDICATED BY CUSTOMER.

MODEL	DIMENSIONS IN INCHES*								
	A	C	D	F	G	H	K	L	M
DXG200-2EC	10.2	2.9	1.3	4.5	3.6	7.9	1.4	17.7	0.3
DXG250-2EC	11.8	2.8	1.3	4.5	3.6	9.8	1.4	17.7	0.3
DXG300-2EC	14.2	3.3	1.5	4.5	3.6	11.8	2.6	17.7	0.2
DXG350-2EC	16.6	3.5	1.6	4.5	3.6	13.8	3.3	17.7	0.3
DXG400-2EC	18.5	3.8	1.9	5.9	4.0	15.7	2.8	39.4	0.4
DXG450-2EC	20.6	3.8	2.1	5.9	4.0	17.7	3.7	39.4	0.4

\*DO NOT USE FOR CONSTRUCTION

MODEL	DIMENSIONS IN INCHES*										
	A	B	C	D	F	G	H	J	K	L	M
DXP200-2EC	12.2	10.2	4.1	2.0	4.5	3.6	7.9	9.1	1.4	17.7	0.3
DXP250-2EC	14.6	12.6	3.3	2.8	4.5	3.6	9.8	11.0	1.4	17.7	0.3
DXP300-2EC	16.9	15.0	3.8	3.4	4.5	3.6	11.8	13.2	2.6	17.7	0.4
DXP350-2EC	19.1	17.1	5.0	3.3	4.5	3.6	13.8	15.0	3.3	17.7	0.4
DXP400-2EC	21.3	19.3	6.0	3.8	5.9	4.0	15.7	16.9	2.8	39.4	0.4
DXP450-2EC	22.6	20.5	6.1	3.9	5.9	4.0	17.7	18.9	3.7	39.4	0.4

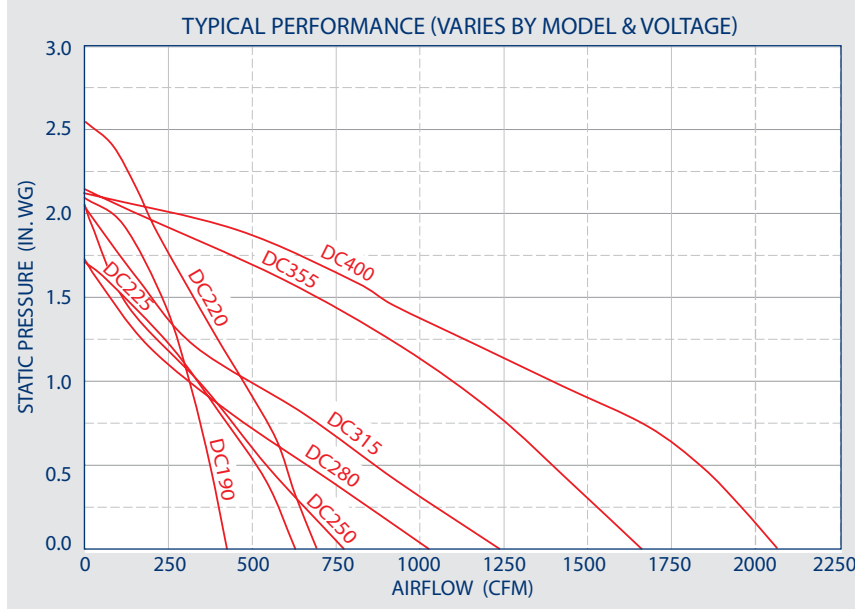
CONSULT FACTORY FOR CERTIFIED PRINTS

# DC MOTORIZED IMPELLERS

## DC CENTRIFUGAL IMPELLERS (DC)

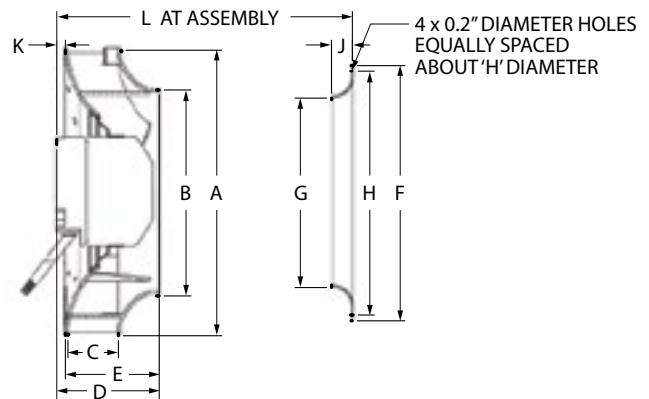
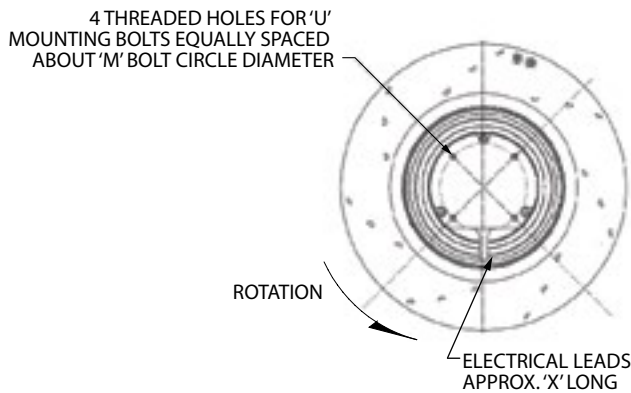
### FEATURES & BENEFITS

- Quiet and efficient backward curved impellers
- 100% speed controllable DC external rotor motor
- Matching inlet cones included
- Available from stock in 24 & 48 VDC
- 1-10 VDC or PWM motor control
- IP42 motor and reverse polarity protection
- ErP and RoHS compliant
- Permissible ambient temperature range: -13 F to 140 F
- Capacities to 2,070 cfm
- 48 VDC products are UL approved



24 VDC		PERFORMANCE				
PART NUMBER	CFM	RPM	WATTS	AMPS	dB(A)	
DC190-2B34-24	425	3300	77	3.2	67	
DC220-2B42-24	694	3190	115	4.8	73	
DC225-2B65-24	629	2400	78	3.3	65	
DC250-2B61-24	773	2300	84	3.5	65	
DC280-2B82-24	1026	1710	95	4.0	71	
DC315-2B50-24	1238	1820	115	4.8	67	
48 VDC		PERFORMANCE				
PART NUMBER	CFM	RPM	WATTS	AMPS	dB(A)	
DC190-2B34-48	425	3300	77	1.6	67	
DC220-2B42-48	694	3190	100	2.0	73	
DC225-2B65-48	629	2400	78	1.6	65	
DC250-2B61-48	773	2300	84	1.8	65	
DC280-2B82-48	1026	1710	95	2.0	71	
DC315-2B50-48	1238	1820	115	2.4	67	
DC355-2B97-48	1662	1560	178	3.7	69	
DC400-2B93-48	2070	1460	270	5.6	75	

FOR OTHER VOLTAGES, CONSULT FACTORY.  
ACTUAL PERFORMANCE MAY VARY BY APPLICATION.



MODEL	DIMENSIONS IN INCHES*														
	A	B	C	D	E	F	G	H	J	K	L	M	U	V	X
DC190-2B34	7.4	5.2	1.3	2.7	2.5	6.7	4.9	6.2	0.6	0.2	3.2	2.3	M4 x 6	4.0	17.7
DC220-2B42	8.7	6.3	1.7	2.8	2.5	10.0	6.0	9.7	0.8	0.3	4.0	2.3	M4 x 6	4.0	17.7
DC225-2B65	8.9	6.0	2.5	3.9	3.6	8.8	5.7	8.3	1.1	0.3	4.9	2.3	M4 x 6	4.0	17.7
DC250-2B61	9.8	6.8	2.4	3.9	3.6	10.0	6.4	9.4	1.2	0.3	5.0	2.3	M4 x 6	4.0	17.7
DC280-2B82	11.1	7.5	3.2	5.3	4.4	11.8	6.9	11.5	1.2	1.0	6.4	2.3	M4 x 6	6.0	17.7
DC315-2B50	12.4	8.5	2.0	3.9	3.4	13.8	8.2	13.4	1.2	0.5	5.0	2.3	M4 x 6	6.0	17.7
DC355-2B97	14.0	9.7	3.8	6.2	5.6	13.8	9.4	12.8	1.2	0.6	7.3	3.5	M5 x 9	6.0	39.4
DC400-2B93	15.9	10.5	3.7	6.8	5.6	14.5	10.2	13.5	1.4	1.2	8.1	3.5	M5 x 9	6.0	39.4

\*DO NOT USE FOR CONSTRUCTION

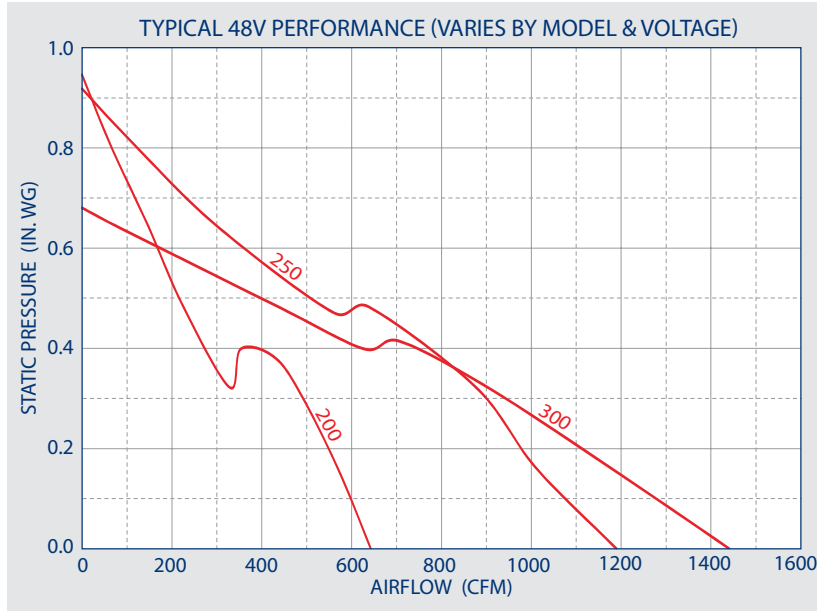
CONSULT FACTORY FOR CERTIFIED PRINTS



## DXG & DXP MOTORIZED AXIAL FANS (DC)

### FEATURES & BENEFITS

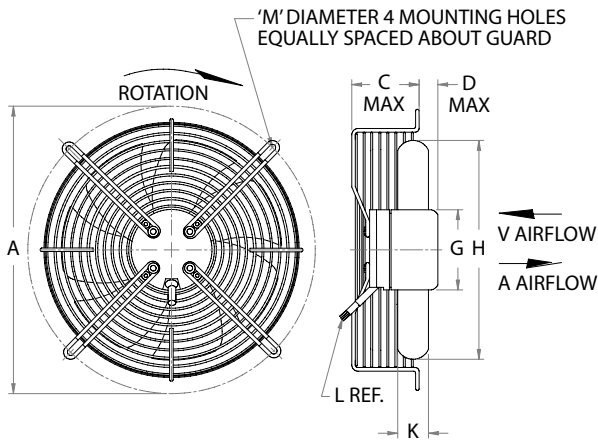
- Excellent air and sound performance characteristics
- 100% speed controllable DC external rotor motor
- Available from stock in 24 & 48 VDC
- 1-10 VDC or PWM motor control
- IP42 motor and reverse polarity protection
- ErP and RoHS compliant
- Capacities to 1,441 cfm
- 48 VDC products are UL approved



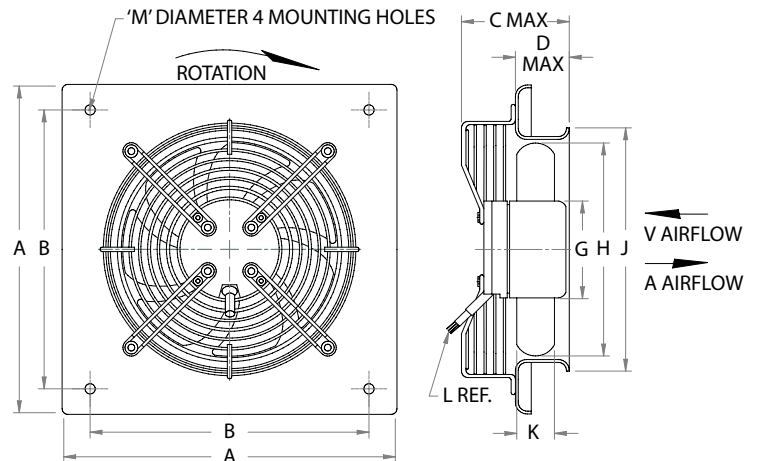
24 VDC		PERFORMANCE			
PART NUMBER	CFM	RPM	WATTS	AMPS	dB(A)
DXG200-2DC-24	643	2750	45	1.9	60
DXG250-2DC-24	1190	2650	105	4.4	70
DXG300-2DC-24	1245	1780	110	4.5	70
DXP200-2DC-24	643	2750	45	1.9	64
DXP250-2DC-24	1190	2650	105	4.4	74
DXP300-2DC-24	1245	1780	110	4.5	70
48 VDC		PERFORMANCE			
DXG200-2DC-48	643	2750	45	0.9	60
DXG250-2DC-48	1190	2650	105	2.2	70
DXG300-2DC-48	1441	1800	115	2.4	65
DXP200-2DC-48	643	2750	45	0.9	64
DXP250-2DC-48	1190	2650	105	2.2	74
DXP300-2DC-48	1441	1800	115	2.4	70

FOR OTHER VOLTAGES, CONSULT FACTORY.  
ACTUAL PERFORMANCE MAY VARY BY APPLICATION.

DXG



DXP



AIRFLOW DIRECTION TO BE INDICATED BY CUSTOMER.

MODEL	DIMENSIONS IN INCHES*							
	A	C	D	G	H	K	L	M
DXG200-2DC	10.2	2.6	1.2	3.6	7.9	1.4	17.7	0.3
DXG250-2DC	12.7	3.0	0.8	3.6	9.8	1.4	17.7	0.3
DXG300-2DC	14.2	3.2	1.6	3.6	11.8	2.6	17.7	0.3

\*DO NOT USE FOR CONSTRUCTION

MODEL	DIMENSIONS IN INCHES*									
	A	B	C	D	G	H	J	K	L	M
DXP200-2DC	12.2	10.2	3.9	2.0	3.6	7.9	9.1	1.4	17.7	0.3
DXP250-2DC	14.6	12.6	3.2	3.0	3.6	9.8	11.0	1.4	17.7	0.3
DXP300-2DC	16.9	15.0	3.8	3.6	3.6	11.8	14.0	2.6	17.7	0.4

CONSULT FACTORY FOR CERTIFIED PRINTS

# AC MOTORIZED IMPELLERS

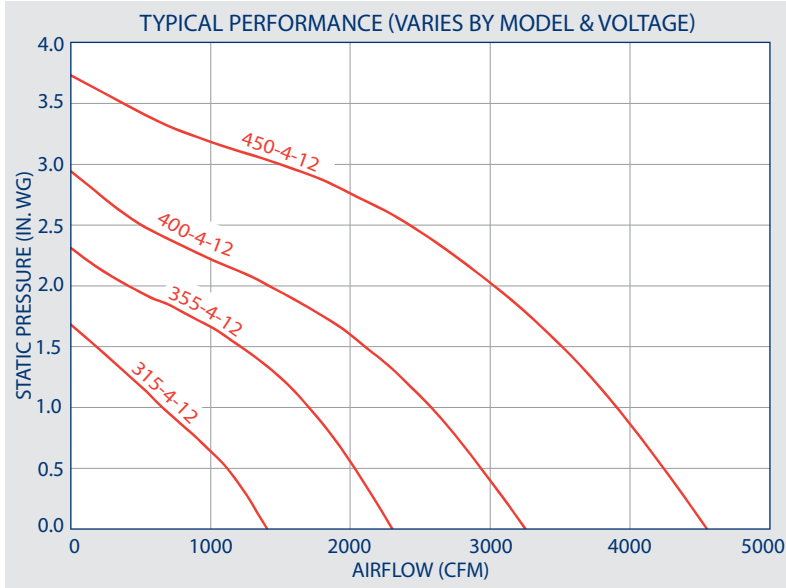
## TMA CENTRIFUGAL IMPELLERS (AC) - 1 PHASE

### FEATURES & BENEFITS

- High efficiency: ErP qualified at 50 Hz
- AC external rotor motor
- Matching capacitors available
- Dual frequency motor (50 Hz & 60 Hz)
- Capacities to 4,552 cfm
- UL & CE approved

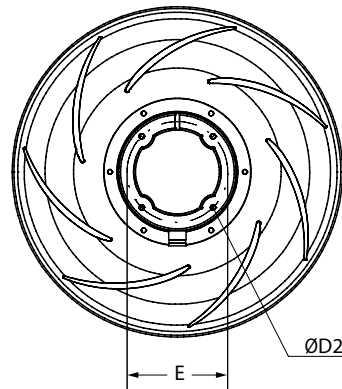
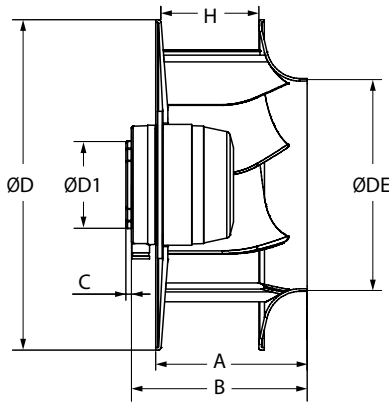
### APPLICATIONS

- Military HRAC
- Air filtration
- Clean room modules
- Heat exchangers
- Electronic cabinet cooling
- Pharmaceutical equipment



230V - 1 PHASE			60 Hz PERFORMANCE			
PART NUMBER	CFM	RPM	WATTS	CFM/W	CAPACITOR	AMPS
TMA315-4-12	1404	1480	215	9.4	3 X 400V	1.0
TMA355-4-12	2299	1585	480	6.6	6 X 400V	2.1
TMA400-4-12	3252	1440	830	5.2	12 X 400V	3.7
TMA450-4-12	4552	1595	1430	4.4	20 X 400V	6.2

FOR OTHER VOLTAGES, CONSULT FACTORY.  
ACTUAL PERFORMANCE MAY VARY BY APPLICATION.



MODEL	DIMENSIONS IN INCHES*								
	A	B	C	D	D1	D2	DE	E	H
TMA315-4	5.6	6.5	0.1	13.3	3.0	M6/4 X 90	8.3	3.5	3.5
TMA355-4	6.8	7.9	0.3	14.8	3.9	M6/4 X 90	9.3	4.5	4.4
TMA400-4	7.6	8.6	0.3	16.7	3.9	M6/4 X 90	10.5	4.5	4.9
TMA450-4	8.4	9.7	0.2	18.8	5.5	M10/4 X 90	11.7	6.4	5.4

\*DO NOT USE FOR CONSTRUCTION

CONSULT FACTORY FOR CERTIFIED PRINTS

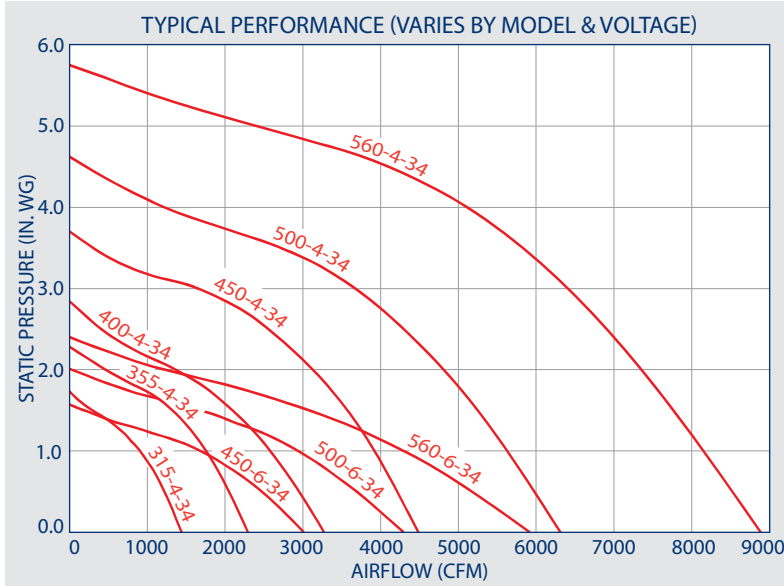
## TMA CENTRIFUGAL IMPELLERS (AC) - 3 PHASE

### FEATURES & BENEFITS

- High efficiency: ErP qualified at 50 Hz
- AC external rotor motor
- Dual frequency motor (50 Hz & 60 Hz)
- Capacities to 8,886 cfm
- UL & CE approved

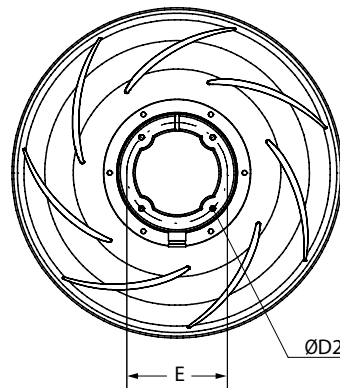
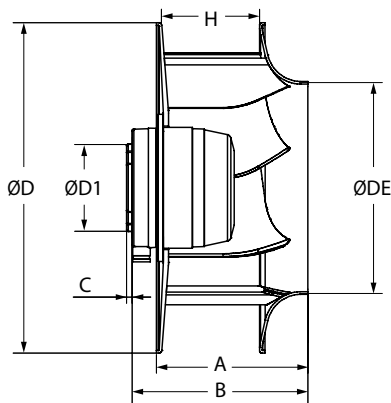
### APPLICATIONS

- Military HRAC
- Air filtration
- Clean room modules
- Heat exchangers
- Electronic cabinet cooling
- Pharmaceutical equipment



460V - 3 PHASE			60 Hz PERFORMANCE		
PART NUMBER	CFM	RPM	WATTS	CFM/W	AMPS
TMA315-4-34	1437	1620	225	9.0	0.4
TMA355-4-34	2292	1635	480	6.5	0.8
TMA400-4-34	3270	1550	770	5.9	1.2
TMA450-4-34	4483	1640	1400	4.5	2.2
TMA450-6-34	3008	1050	420	9.7	0.7
TMA500-4-34	6309	1630	2300	3.9	3.6
TMA500-6-34	4294	1045	680	8.9	1.2
TMA560-4-34	8886	1675	4190	2.9	6.3
TMA560-6-34	5917	1005	1090	7.7	1.9

FOR OTHER VOLTAGES, CONSULT FACTORY.  
ACTUAL PERFORMANCE MAY VARY BY APPLICATION.



MODEL	DIMENSIONS IN INCHES*								
	A	B	C	D	D1	D2	DE	E	H
TMA315-4	5.6	6.5	0.1	13.3	3.0	M6/4 X 90	8.3	3.5	3.5
TMA355-4	6.8	7.9	0.3	14.8	3.9	M6/4 X 90	9.3	4.5	4.4
TMA400-4	7.6	8.6	0.3	16.7	3.9	M6/4 X 90	10.5	4.5	4.9
TMA450-4	8.4	9.7	0.2	18.8	5.5	M10/4 X 90	11.7	6.4	5.4
TMA450-6	8.4	9.2	0.3	18.8	3.9	M6/4 X 90	11.7	4.5	5.4
TMA500-4	9.4	10.6	0.2	21.0	5.5	M10/4 X 90	13.2	6.4	6.1
TMA500-6	9.4	10.6	0.2	21.0	5.5	M10/4 X 90	13.2	6.4	6.1
TMA560-4	10.6	12.2	0.3	23.4	6.3	M12/8 X 45	14.8	7.5	6.9
TMA560-6	10.6	11.9	0.2	23.4	5.5	M10/4 X 90	14.8	6.4	6.9

\*DO NOT USE FOR CONSTRUCTION

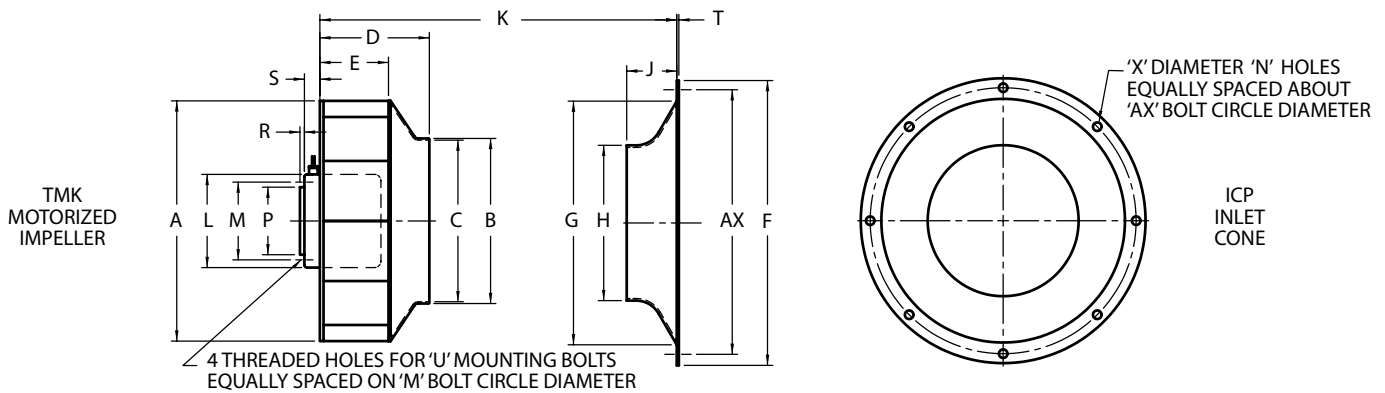
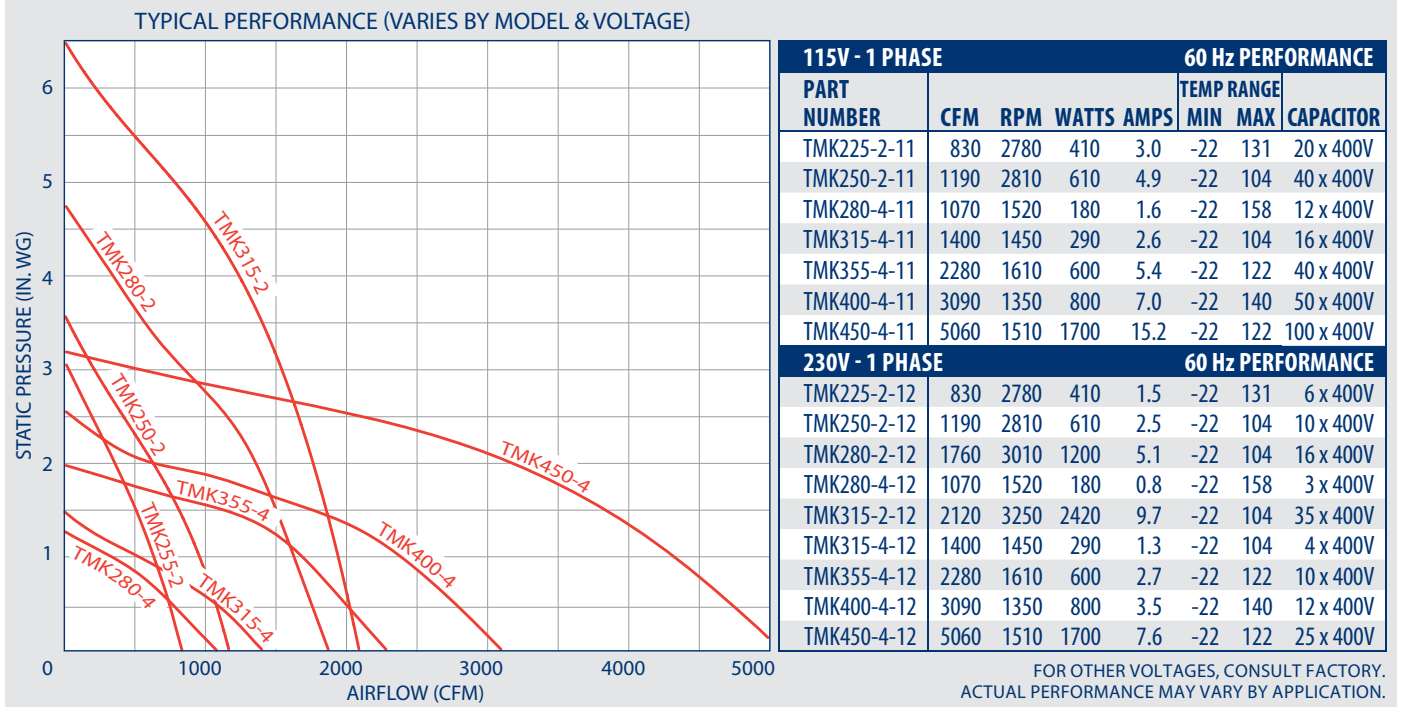
CONSULT FACTORY FOR CERTIFIED PRINTS

# AC MOTORIZED IMPELLERS

## TMK CENTRIFUGAL IMPELLERS (AC)

### FEATURES & BENEFITS

- Available from stock in single or three phase voltages
- Highly efficient airfoil 'TEK' impeller
- Dual frequency motor (50 Hz & 60 Hz)
- Matching capacitors and inlet cones available
- Available housed or non-housed
- Capacities to 5,060 cfm
- UL & CE approved



MODEL	DIMENSIONS IN INCHES*																				
	A	B	C	D	E	F	G	H	J	K	L	M	N	P	R	S	T	U	X	AX	WT (lbs)
TMK225-2	8.8	6.1	5.8	4.1	2.6	11.0	8.9	5.7	1.8	5.6	4.1	3.5	6	3.0	0.2	1.1	0.1	M6 x 10	0.4	10.1	9
TMK250-2	9.8	6.8	6.5	4.5	2.9	12.0	10.0	6.3	2.1	6.2	5.4	4.5	6	4.0	0.3	1.4	0.1	M6 x 16	0.4	11.1	14
TMK280-2	11.0	7.6	7.4	5.0	3.3	13.7	11.4	7.1	2.3	7.0	5.4	4.5	6	4.0	0.3	1.4	0.1	M6 x 16	0.5	12.6	22
TMK280-4	11.0	7.6	7.4	5.0	3.3	13.7	11.4	7.1	2.3	7.0	4.1	3.5	6	3.0	0.2	1.3	0.1	M6 x 10	0.5	12.6	8
TMK315-2	12.3	8.5	8.2	5.5	3.5	15.0	12.6	8.0	2.6	7.7	7.4	6.4	6	5.5	0.3	1.9	0.1	M10 x 20	0.5	14.0	33
TMK315-4	12.3	8.5	8.2	5.5	3.5	15.0	12.6	8.0	2.6	7.7	4.1	3.5	6	3.0	0.2	1.3	0.1	M6 x 10	0.5	14.0	11
TMK355-4	14.0	9.6	9.3	6.4	4.3	16.6	14.2	9.0	2.9	8.6	5.4	4.5	8	4.0	0.3	1.4	0.1	M6 x 16	0.5	15.6	19
TMK400-4	15.6	10.6	10.2	6.9	4.5	18.3	16.0	9.8	3.3	9.6	5.4	4.5	8	4.0	0.3	1.4	0.2	M6 x 16	0.5	17.3	24
TMK450-4	17.7	12.1	11.6	7.7	5.1	20.2	17.3	11.2	3.7	10.8	7.4	6.4	8	5.5	0.3	1.9	0.2	M10 x 20	0.5	19.3	37

\*DO NOT USE FOR CONSTRUCTION

CONSULT FACTORY FOR CERTIFIED PRINTS

## RCM CENTRIFUGAL IMPELLERS (AC)

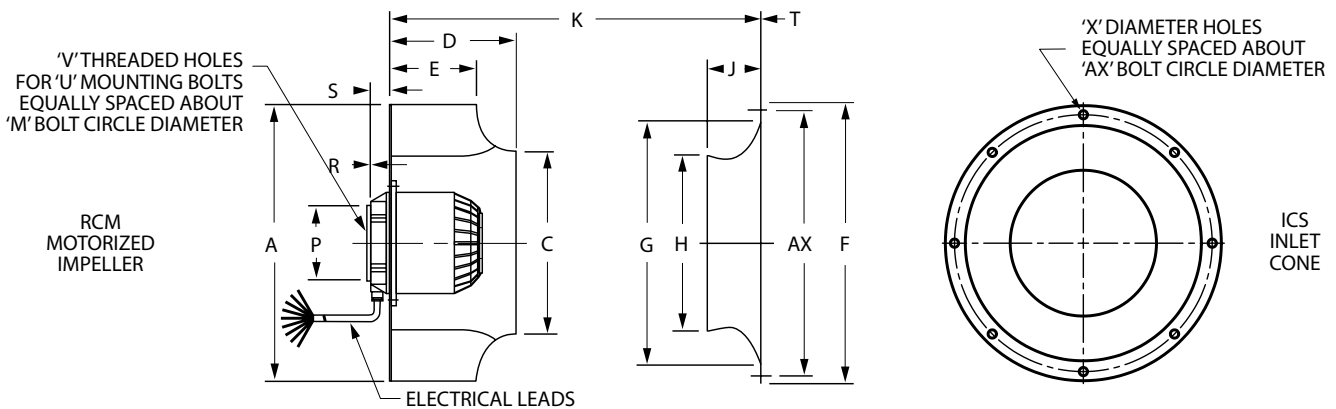
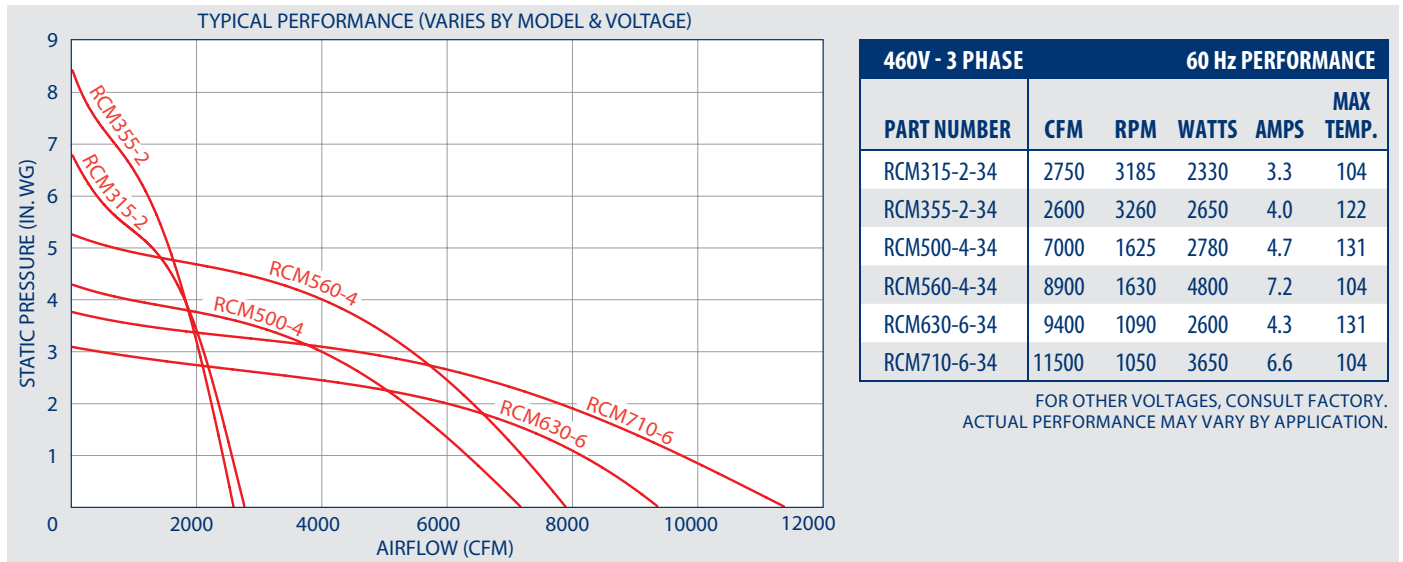
### FEATURES & BENEFITS

- Available from stock in three phase voltages
- Efficient backward curved (BC) impellers
- Dual frequency motor (50 Hz & 60 Hz)
- IP54 motor construction, Class F insulation
- Available housed or non-housed
- Capacities to 11,500 cfm
- UL & CE approved



### APPLICATIONS

- Military HRAC
- Air filtration
- Clean room modules
- Heat exchangers
- Electronic cabinet cooling
- Pharmaceutical equipment



DIMENSIONS SHOWN ARE FOR NON-HOUSED UNITS. CONSULT FACTORY FOR DIMENSIONS ON HOUSED UNITS.

MODEL	DIMENSIONS IN INCHES*																		
	A	C	D	E	F	G	H	J	K	M	P	R	S	T	U	V	X	AX	WT (lbs)
RCM315-2	12.6	8.2	5.8	3.9	15.0	12.6	8.0	2.6	8.2	6.4	5.5	0.2	1.9	0.1	M10	4	0.4	14.0	34
RCM355-2	14.1	9.3	5.2	3.1	16.6	14.2	9.1	2.9	7.8	6.4	5.5	0.2	1.9	0.1	M10	4	0.4	15.6	44
RCM500-4	20.1	13.3	9.2	6.1	20.4	17.7	12.2	3.9	12.7	6.4	5.5	0.3	1.4	0.1	M10	8	0.5	19.3	60
RCM560-4	22.4	14.8	10.3	6.8	22.2	19.7	13.7	4.1	14.1	7.5	6.3	0.3	1.6	0.1	M12	8	0.4	21.3	93
RCM630-6	25.2	16.7	11.5	7.7	25.2	22.1	15.4	4.5	15.3	7.5	6.3	0.3	1.6	0.1	M12	8	0.6	24.0	85
RCM710-6	28.3	18.7	11.5	7.3	27.9	24.8	17.2	5.3	16.4	7.5	6.3	2.8	1.3	0.1	M12	8	0.6	26.5	101

\*DO NOT USE FOR CONSTRUCTION

CONSULT FACTORY FOR CERTIFIED PRINTS

# AC MOTORIZED IMPELLERS

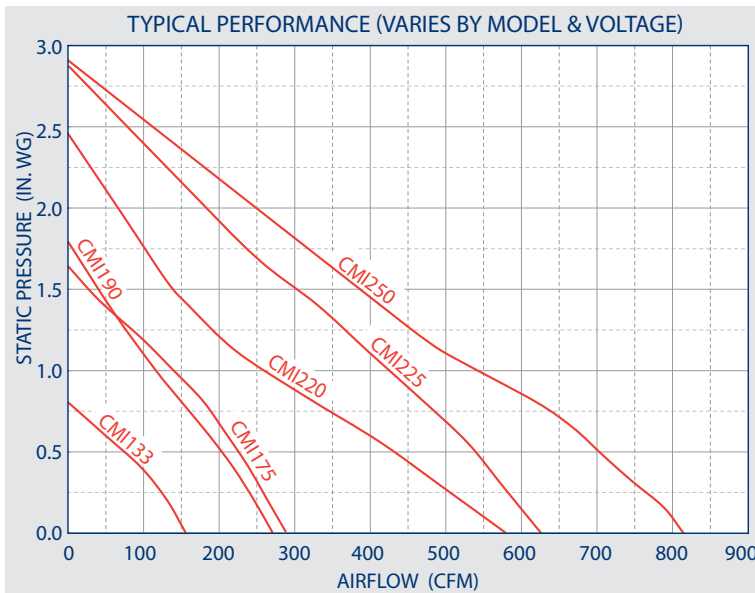
## CMI CENTRIFUGAL IMPELLERS (AC)

### FEATURES & BENEFITS

- 100% speed controllable
- Efficient backward curved impellers
- Compact design, superior performance
- Matching capacitors and inlet cones included
- Class F insulation; -30 to 60 C
- 115/230 VAC 50/60 Hz in stock
- Permissible ambient temperature range: -22 F to 140 F
- UL approved (select models)
- IP44 motor protection

### APPLICATIONS

- Military HRAC
- Air filtration
- Clean room modules
- Heat exchangers
- Electronic cabinet cooling
- Pharmaceutical equipment

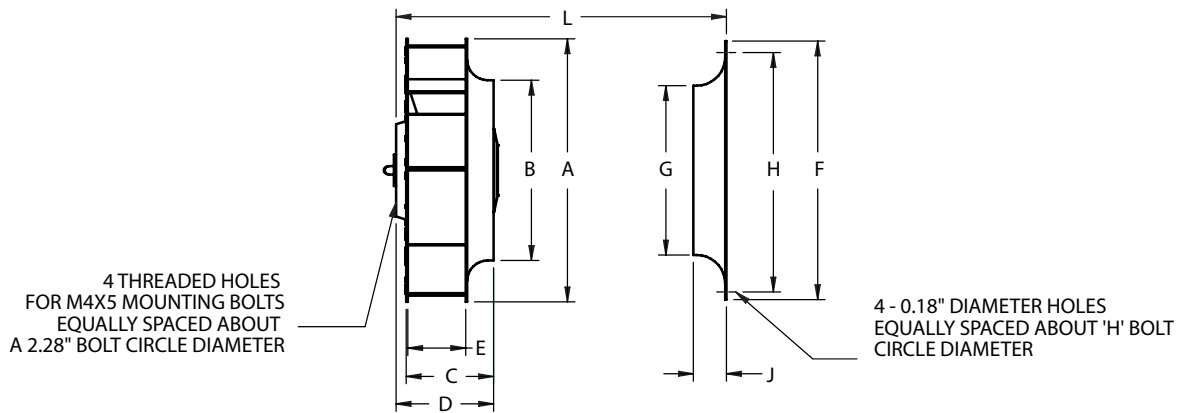


115V - 1 PHASE				60 Hz PERFORMANCE		
PART NUMBER	CFM	RPM	WATTS	AMPS	dBa	CAPACITOR
*CMI133-2C10-11	156	3150	30	0.30	57	3 X 250V
CMI175-2C15-11	288	2970	62	0.50	65	6 X 250V
*CMI190-2C15-11	333	2740	80	0.70	70	8 X 250V
*CMI220-2C25-11	580	2800	120	1.00	73	10 X 250V
*CMI225-2C45-11	628	2870	200	1.80	76	20 X 250V
CMI250-2C45-11	812	2840	237	2.13	77	28 X 250V

230V - 1 PHASE				60 Hz PERFORMANCE		
PART NUMBER	CFM	RPM	WATTS	AMPS	dBa	CAPACITOR
CMI133-2C10-12	171	3240	33	0.10	57	1 X 400V
CMI175-2C15-12	246	2700	77	0.40	66	2.5 X 400V
*CMI190-2C15-12	272	2500	75	0.40	68	2.5 X 400V
*CMI220-2C25-12	530	2680	118	0.50	73	3 X 400V
*CMI225-2C45-12	695	2960	215	0.95	78	6 X 400V
CMI250-2C45-12	814	2850	240	1.10	77	7 X 400V

\*UL APPROVED MODELS FOR OTHER VOLTAGES, CONSULT FACTORY. ACTUAL PERFORMANCE MAY VARY BY APPLICATION.



MODEL	DIMENSIONS IN INCHES*									
	A	B	C	D	E	F	G	H	J	L
CMI133-2C10	5.24	3.66	2.40	3.07	1.65	5.08	3.43	4.65	0.51	3.50
CMI175-2C15	6.89	5.20	2.48	2.70	1.77	6.69	4.94	6.22	0.55	3.17
CMI190-2C15	7.48	5.24	2.38	2.69	1.75	6.69	4.90	6.22	0.55	3.23
CMI220-2C25	8.74	6.26	2.51	2.76	1.75	9.96	5.98	9.65	0.79	3.47
CMI225-2C45	8.86	6.02	3.50	3.94	2.46	8.78	5.75	8.27	1.10	4.96
CMI250-2C45	9.84	6.81	3.03	3.90	1.97	10.04	6.40	9.00	1.18	5.00

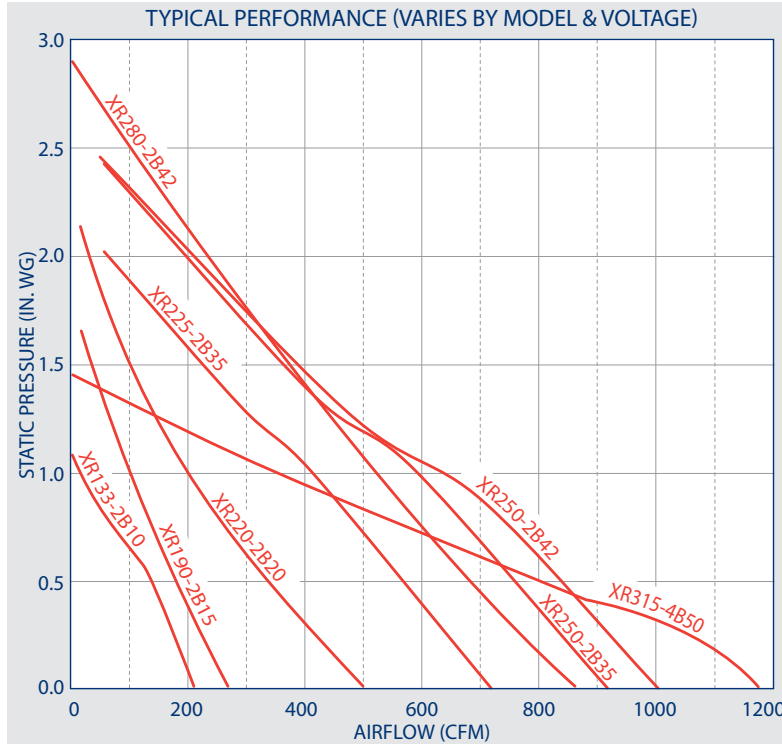
\*DO NOT USE FOR CONSTRUCTION

CONSULT FACTORY FOR CERTIFIED PRINTS

## XR CENTRIFUGAL IMPELLERS (AC)

### FEATURES & BENEFITS

- Available from stock in 115V or 230V single phase
- Dual frequency motor (50 Hz & 60 Hz)
- Matching capacitors and inlet cones available
- Class F insulation
- Capacities to 1,175 cfm
- CSA & CE approved

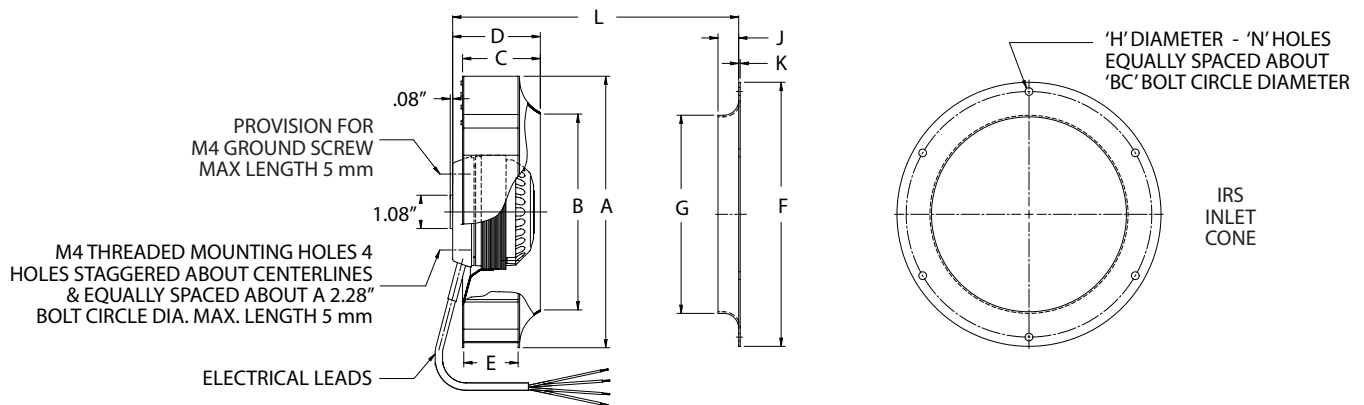


115V - 1 PHASE					60 Hz PERFORMANCE		
PART NUMBER	CFM	RPM	WATTS	AMPS	TEMP. RANGE		CAPACITOR
					MIN	MAX	
XR133-2B10-11	210	3135	33	0.3	-40	158	4 X 250V
XR190-2B15-11	265	2615	75	0.7	-22	104	8 X 220V
XR220-2B20-11	500	2550	100	0.9	-22	104	10 X 220V
XR225-2B35-11	740	2700	190	1.7	-22	104	14 X 250V
XR250-2B35-11	886	2350	200	1.8	-22	158	16 X 250V
XR250-2B42-11	980	2515	280	2.4	-22	122	25 X 220V
XR280-2B42-11	860	2170	230	2.1	-22	104	30 X 220V
XR315-4B50-11	1175	1530	156	1.4	-40	140	16 X 250V

230V - 1 PHASE					60 Hz PERFORMANCE		
PART NUMBER	CFM	RPM	WATTS	AMPS	TEMP. RANGE		CAPACITOR
					MIN	MAX	
XR133-2B10-12	210	3135	28	0.1	-40	158	1 X 440V
XR190-2B15-12	265	2500	85	0.4	-22	104	2 X 440V
XR220-2B20-12	500	2725	120	0.5	-22	104	3 X 440V
XR225-2B35-12	720	2700	200	0.8	-22	113	4 X 500V
XR250-2B35-12	920	2630	250	1.0	-22	122	5 X 500V
XR250-2B42-12	1000	2575	270	1.2	-22	131	6 X 440V
XR280-2B42-12	860	2170	270	1.2	-22	104	8 X 440V
XR315-4B50-12	1175	1530	161	0.7	-40	158	4 X 500V

FOR OTHER VOLTAGES, CONSULT FACTORY.  
ACTUAL PERFORMANCE MAY VARY BY APPLICATION.



MODEL	DIMENSIONS IN INCHES*												
	A	B	C	D	E	F	G	H	J	K	N	L	BC
XR133-2B10	5.3	3.5	2.4	3.5	1.6	5.1	3.5	0.18	0.3	0.04	4	3.8	4.7
XR190-2B15	7.5	5.1	2.4	2.7	1.8	6.7	4.9	0.20	0.5	0.04	6	3.1	6.2
XR220-2B20	8.7	6.3	2.5	2.8	1.7	9.9	6.1	0.20	0.7	0.04	6	3.4	9.7
XR225-2B35	8.9	6.3	3.0	3.3	2.0	8.8	5.8	0.20	1.1	0.04	6	4.2	8.3
XR250-2B35	9.9	6.9	3.2	3.5	2.0	10.0	6.5	0.20	1.2	0.04	6	4.4	9.4
XR250-2B42	9.9	6.9	3.4	3.9	2.2	10.0	6.5	0.20	1.2	0.04	6	5.0	9.4
XR280-2B42	11.1	7.5	3.2	3.9	2.0	11.0	7.2	0.20	1.3	0.04	6	5.1	10.3
XR315-4B50	12.4	7.9	5.0	6.0	3.9	11.8	7.6	0.31	2.1	0.05	6	8.1	11.3

\*DO NOT USE FOR CONSTRUCTION

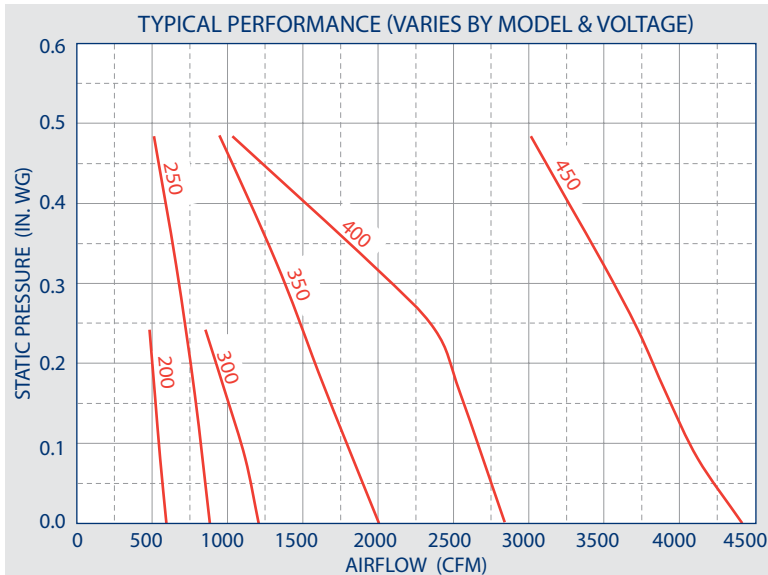
CONSULT FACTORY FOR CERTIFIED PRINTS

# AC MOTORIZED IMPELLERS

## DXG & DXP MOTORIZED AXIAL FANS (AC)

### FEATURES & BENEFITS

- Excellent air and sound performance characteristics
- 100% speed controllable
- Easily accessible junction box with pre-wired capacitor
- Class F insulation; -30 to 60 C
- Single and three phase available
- UL approved (select models)
- RoHS compliant
- Capacities to 4,709 cfm



115V - 1 PHASE				60 Hz PERFORMANCE		
PART NUMBER	CFM	RPM	WATTS	AMPS	dBA	CAPACITOR
DX_200-2AC-11	589	3000	67	0.6	64	8 X 250V
DX_250-2AC-11	859	2750	120	1.0	66	10 X 250V
DX_300-2AC-11	1089	2500	150	1.3	63	16 X 250V
DX_350-4AC-11	2000	1550	230	1.9	66	18 X 250V
DX_400-4AC-11	2583	1500	360	3.0	68	22 X 250V
230V - 1 PHASE				60 Hz PERFORMANCE		
*DX_200-2AC-12	594	3050	80	0.4	64	2 X 500V
*DX_250-2AC-12	883	2750	130	0.6	68	3 X 500V
*DX_300-2AC-12	1207	2600	155	0.7	62	4 X 500V
DX_350-4AC-12	2000	1550	250	1.2	64	6 X 500V
DX_400-4AC-12	2835	1500	370	1.7	68	7 X 500V
DX_450-4AC-12	4414	1600	725	3.3	76	16 X 500V

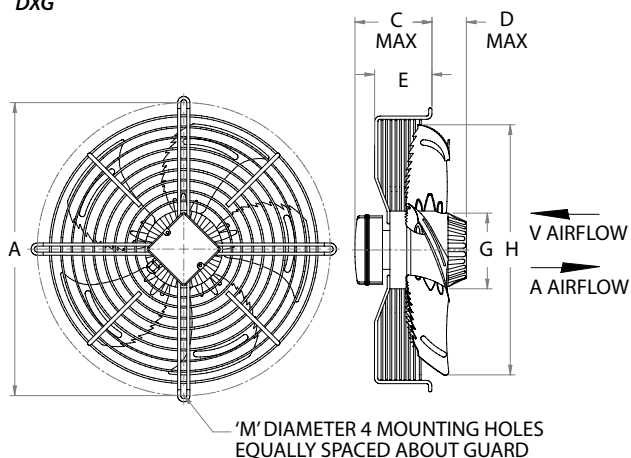
\*UL APPROVED MODELS

INSERT G OR P AS REQUIRED ( ).

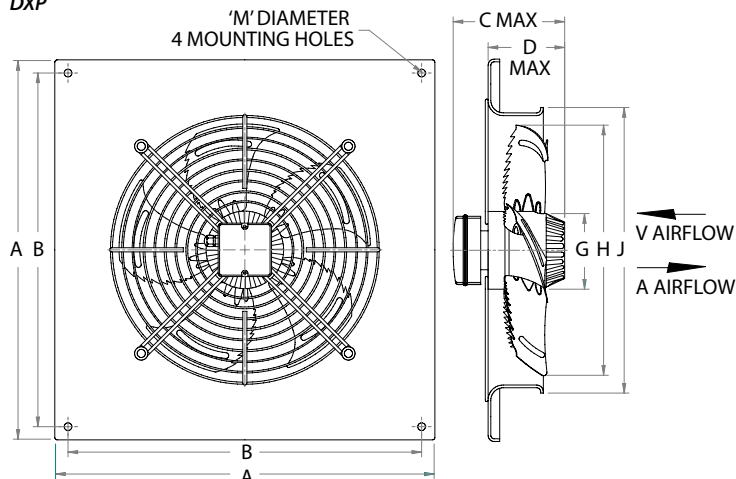
FOR OTHER VOLTAGES, CONSULT FACTORY.

ACTUAL PERFORMANCE MAY VARY BY APPLICATION.

### DXG



### DXP



AIRFLOW DIRECTION TO BE INDICATED BY CUSTOMER.

MODEL	DIMENSIONS IN INCHES*							ROTATION
	A	C	D	E	G	H	M	
DXG200-2AC	10.2	4.1	1.3	2.6	3.6	7.9	0.3	CW
DXG250-2AC	12.7	4.6	0.8	3.0	3.6	9.8	0.3	CW
DXG300-2AC	14.2	4.3	1.5	3.1	3.6	11.6	0.3	CW
DXG350-4AC	16.6	4.8	2.6	3.1	4.0	13.8	0.4	CCW
DXG400-4AC	18.5	4.9	2.8	3.5	4.0	15.7	0.4	CW
DXG450-4AC	20.6	5.2	2.6	3.5	4.0	17.7	0.4	CW

\*DO NOT USE FOR CONSTRUCTION

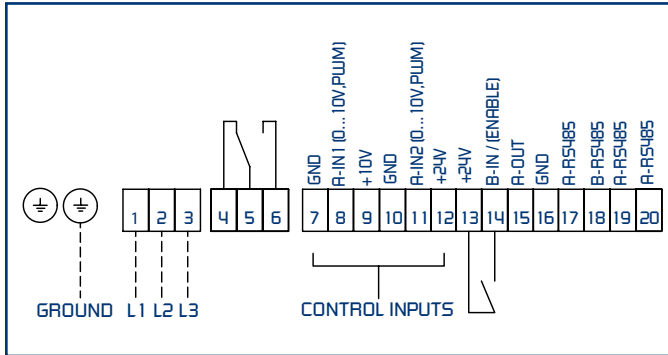
MODEL	DIMENSIONS IN INCHES*							ROTATION	
	A	B	C	D	G	H	J		M
DXP200-2AC	12.2	10.2	5.2	2.8	3.6	7.9	9.1	0.3	CW
DXP250-2AC	14.6	12.6	5.6	3.2	3.6	9.8	11.0	0.3	CW
DXP300-2AC	16.9	15.0	6.0	3.6	3.6	11.8	13.2	0.4	CW
DXP350-4AC	19.1	17.1	7.4	4.1	4.0	13.8	15.0	0.4	CCW
DXP400-4AC	21.3	19.3	7.7	4.7	4.0	15.7	16.9	0.4	CW
DXP450-4AC	22.6	20.5	7.8	3.3	4.0	17.7	18.9	0.4	CW

CONSULT FACTORY FOR CERTIFIED PRINTS

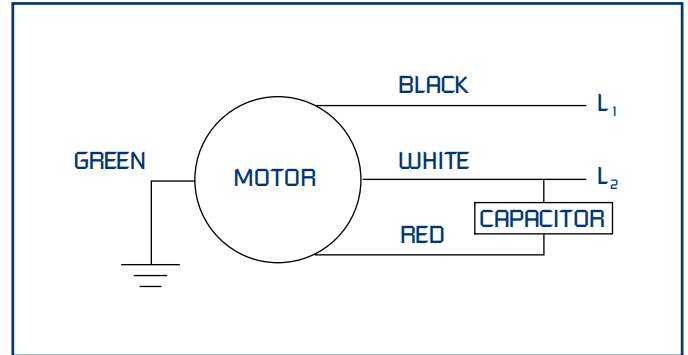


## WIRING DIAGRAMS

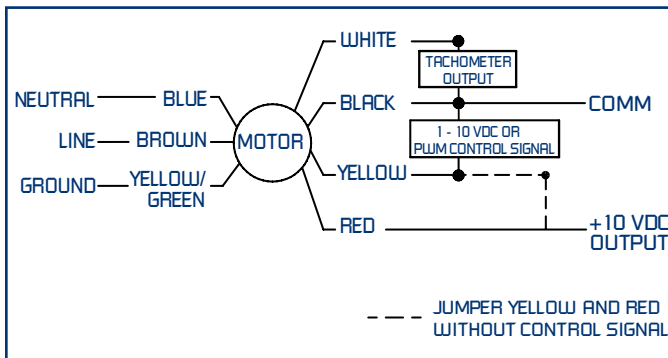
### TME, CEC (3 PHASE)



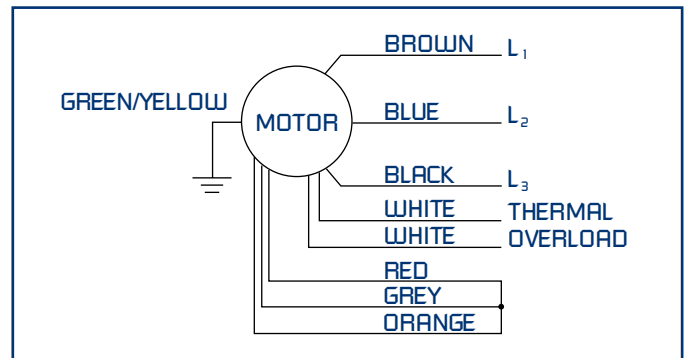
### XR



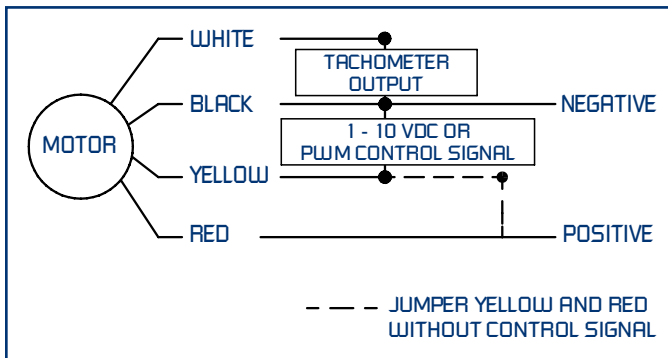
### EC, DXG-EC, DXP-EC



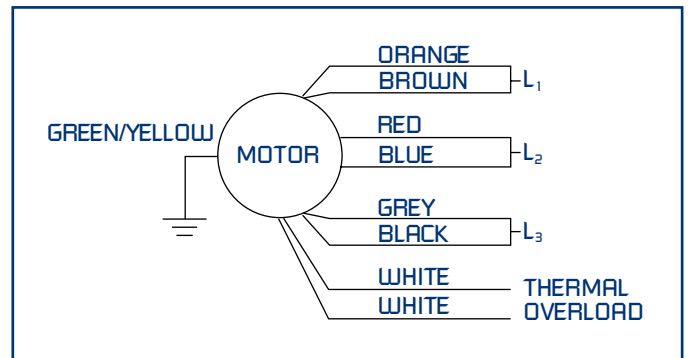
### TMA, TMK, RCM (460V, 3 PHASE)



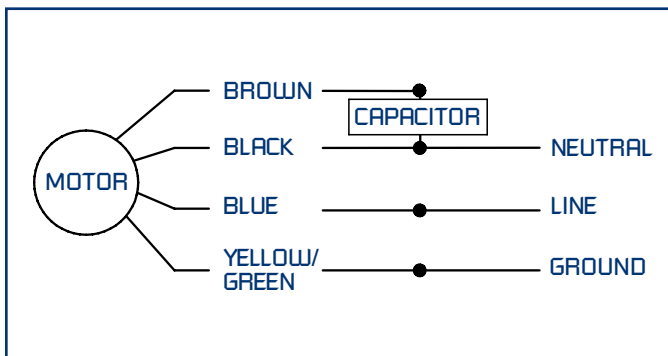
### DC, DXG-DC, DXP-DC



### TMA, TMK, RCM (230V, 3 PHASE)



### CMI, DXG-AC, DXP-AC



WIRING DIAGRAMS ARE TYPICAL, CONSULT FACTORY FOR ACTUAL PRODUCT WIRING DIAGRAMS.

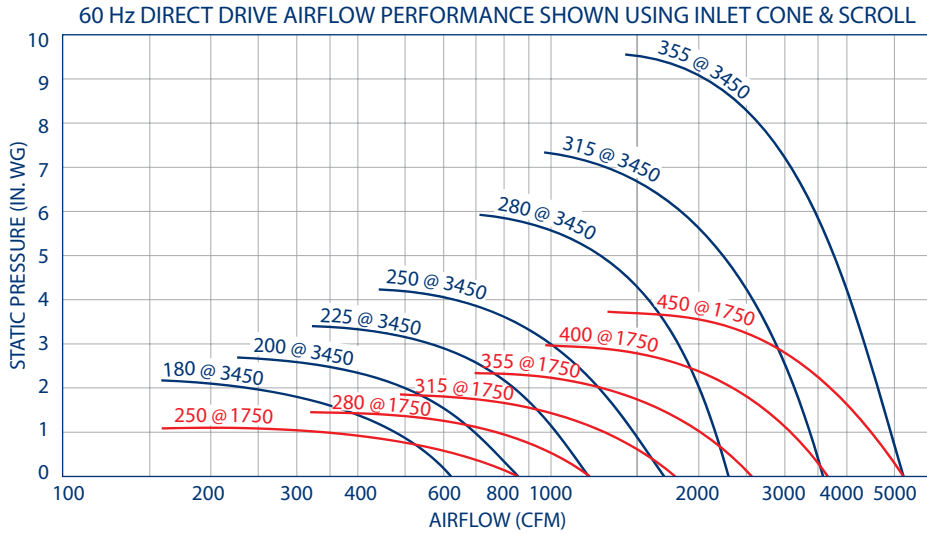
# OEM & REPLACEMENT IMPELLERS

## TEK CENTRIFUGAL BC AIRFOIL IMPELLERS

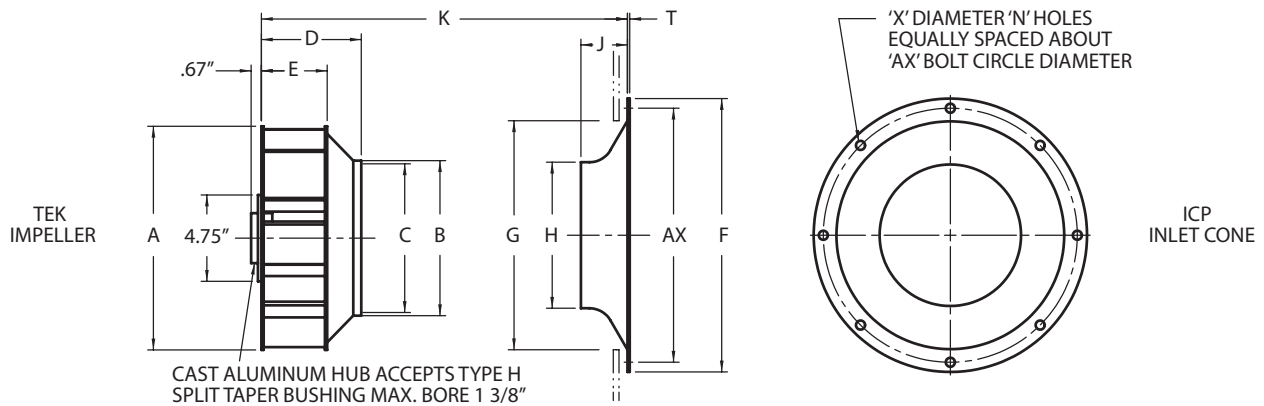


### FEATURES & BENEFITS

- Backward curved airfoil (BCA) impeller
- Non-overloading power characteristics
- Aerodynamic perfection; computer-aided design
- Super quiet, highly efficient performance
- Injection molded from high strength GRP polyamide
- Stronger than steel with half the weight
- Permissible ambient temperature range: -22 F to 176 F
- Stocked in nine sizes: 7" through 18" diameter
- CW, CCW, or DWDI; matching inlet cones



IMPELLER PERFORMANCE		
MODEL	RPM	MAX HP
TEK180	3450	0.15
TEK200	3450	0.25
TEK225	3450	0.43
TEK250	1750	0.10
	3450	0.75
TEK280	1750	0.20
	3450	1.50
TEK315	1750	0.35
	3450	2.65
TEK355	1750	0.63
	3450	5.00
TEK400	1750	1.10
TEK450	1750	2.00



MODEL	DIMENSIONS IN INCHES*														
	A	B	C	D	E	F	G	H	J	K	N	T	X	AX	WT (lbs)
TEK180	7.1	4.9	4.7	3.3	2.1	8.5	7.2	4.5	1.5	4.5	6	0.1	0.4	8.0	1.2
TEK200	7.9	5.5	5.3	3.5	2.3	9.8	8.0	5.0	1.6	4.9	6	0.1	0.4	9.1	1.6
TEK225	8.8	6.1	5.8	4.1	2.6	11.0	8.9	5.7	1.8	5.6	6	0.1	0.4	10.1	1.8
TEK250	9.8	6.8	6.5	4.5	2.9	12.0	10.0	6.3	2.1	6.2	6	0.1	0.4	11.1	2.0
TEK280	11.0	7.6	7.4	5.0	3.3	13.7	11.4	7.1	2.3	7.0	6	0.1	0.5	12.6	2.8
TEK315	12.3	8.5	8.2	5.5	3.5	15.0	12.6	8.0	2.6	7.7	6	0.1	0.5	14.0	3.8
TEK355	14.0	9.6	9.3	6.4	4.3	16.6	14.2	9.0	2.9	8.6	8	0.1	0.5	15.6	5.2
TEK400	15.6	10.6	10.2	6.9	4.5	18.3	16.0	9.8	3.3	9.6	8	0.2	0.5	17.3	7.0
TEK450	17.7	12.1	11.6	7.7	5.1	20.2	17.3	11.2	3.7	10.8	8	0.2	0.5	19.3	8.0

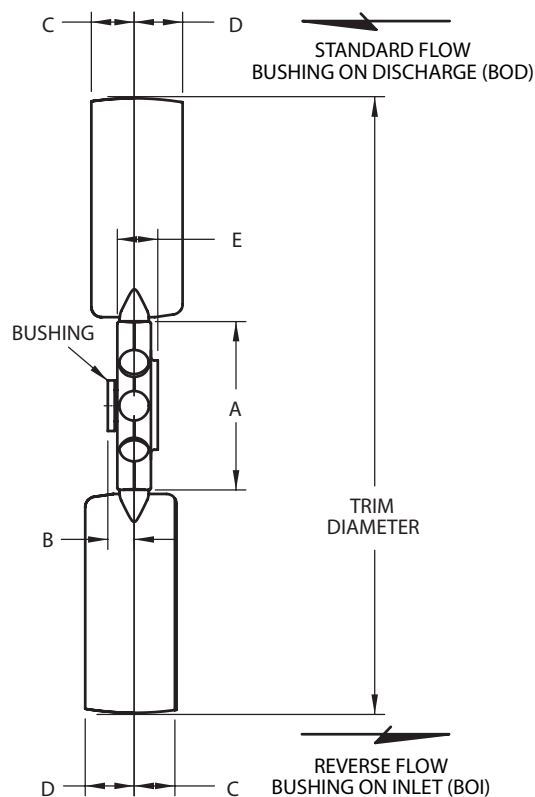
\*DO NOT USE FOR CONSTRUCTION

CONSULT FACTORY FOR CERTIFIED PRINTS

## AXIAL AIRFOIL IMPELLERS

### FEATURES & BENEFITS

- Airfoil design, modular construction, adjustable pitch
- Superior performance and sound characteristics
- Pressure cast aluminum hub and blades
- GRP (polypropylene) blades available
- Advanced computer selection program
- Permissible ambient temperature range for aluminum impellers: -40 F to 250 F
- Permissible ambient temperature range for GRP impellers: -40 F to 176 F
- Custom diameters from 12" to 79"
- Ideal for OEM use or as replacement impellers
- Capacities to 200,000 cfm from stock components



RANGE	HUB TYPE	NO. OF BLADES	BUSHING TYPE	ROTATION	MAX BORE	DIMENSIONS IN INCHES*		A	B	C	D	E
						MIN	MAX					
1000	150	5, 10	H	CW/CCW	1 1/2	12.0	35.4	5.9	0.9	1.0	1.5	1.4
1400	255	3, 4, 6	P1	CW	1 3/4	24.0	51.0	10.0	1.3	1.6	2.4	2.1
1400	350/352	3, 4, 6, 12	Q1	CW	2 11/16	27.0	55.0	13.8	1.9	1.6	2.4	2.1
2000	400	3, 6, 9	Q2	CW	2 3/8	39.0	72.8	15.7	2.1	2.2	3.4	3.5
2000	550	3, 4, 6, 12	R2	CW	3 5/8	39.0	78.7	21.7	2.6	2.2	3.4	3.5
1100	131	3, 6	G	CW/CCW	1	12.0	34.6	5.2	0.9	1.1	1.6	1.6
1100	181	3, 6, 9	H	CW/CCW	1 1/2	15.8	36.8	7.1	0.9	1.1	1.6	1.6
1100	251	3, 6, 9, 12	P1	CW/CCW	1 3/4	21.0	39.5	9.9	1.3	1.1	1.6	1.8

\*DO NOT USE FOR CONSTRUCTION

CONSULT FACTORY FOR CERTIFIED PRINTS

# CABINET COOLING FANS

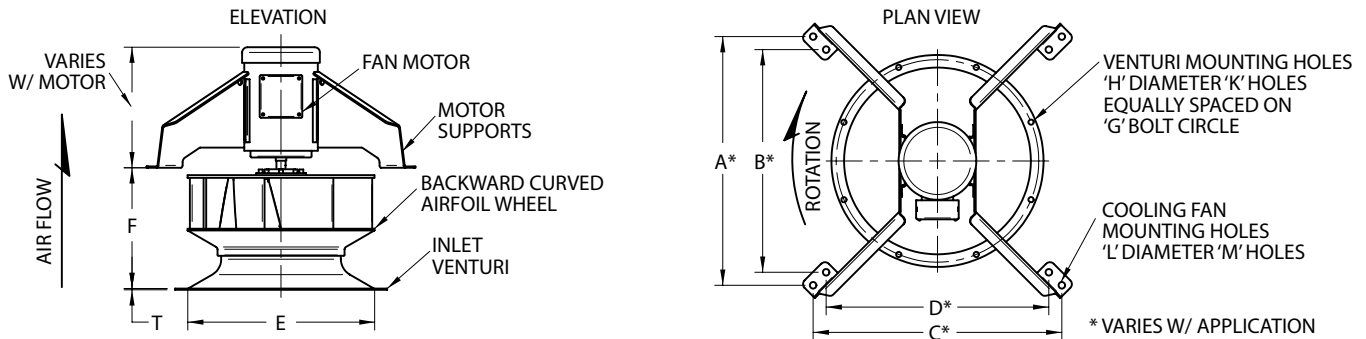
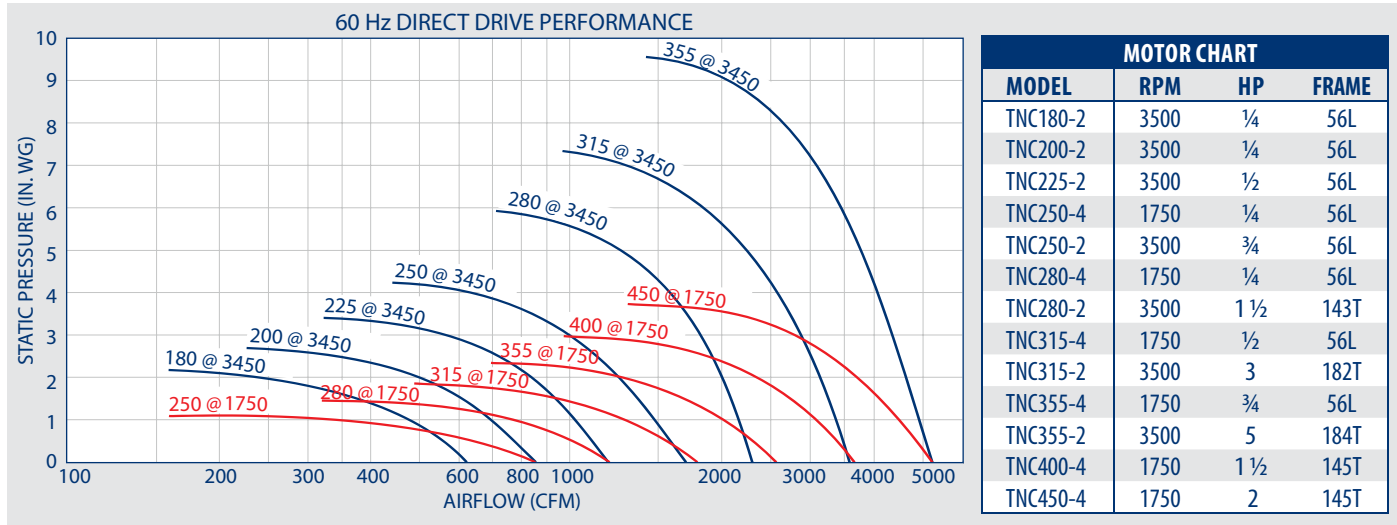
## TNC CENTRIFUGAL COOLING FANS

### FEATURES & BENEFITS

- Highly efficient airfoil 'TEK' impellers
- Exceptionally quiet, rapid heat dissipation
- High pressure capability
- Custom mounting arrangements available
- Standard NEMA motors
- Nine sizes available; capacities to 5,000 cfm

### APPLICATIONS

- Clean room modules
- Heat exchangers
- Computer rooms
- Air filtration
- Dust collection
- Fume hoods
- Electronic cabinet cooling
- Refrigeration equipment
- Motor control cabinets



MODEL	DIMENSIONS IN INCHES*											
	A	B	C	D	E	F	G	H	K	L	M	T
TNC180-2	14.8	-	15.5	-	7.2	6.5	8.0	0.4	6	0.4	4	0.09
TNC200-2	14.8	-	15.5	-	8.0	7.0	9.1	0.4	6	0.4	4	0.09
TNC225-2	14.8	-	15.5	-	8.9	7.8	10.1	0.4	6	0.4	4	0.09
TNC250-4	14.8	-	15.5	-	10.0	8.5	11.1	0.4	6	0.4	4	0.12
TNC250-2	14.8	-	15.5	-	10.0	8.5	11.1	0.4	6	0.4	4	0.12
TNC280-4	14.8	-	15.5	-	11.2	9.0	12.6	0.4	6	0.4	4	0.12
TNC280-2	14.8	-	15.5	-	11.2	9.0	12.6	0.4	6	0.4	4	0.12
TNC315-4	14.8	-	15.5	-	12.6	9.8	14.0	0.4	6	0.4	4	0.12
TNC315-2	23.7	21.2	23.7	21.2	12.6	10.5	14.0	0.5	6	0.6	8	0.12
TNC355-4	14.8	-	15.5	-	14.2	11.0	15.6	0.5	8	0.4	4	0.12
TNC355-2	23.7	21.2	23.7	21.2	14.2	11.5	15.6	0.5	8	0.6	8	0.12
TNC400-4	23.7	21.2	23.7	21.2	16.0	10.6	17.3	0.5	8	0.6	8	0.17
TNC450-4	23.7	21.2	23.7	21.2	17.3	11.5	19.3	0.5	8	0.6	8	0.17

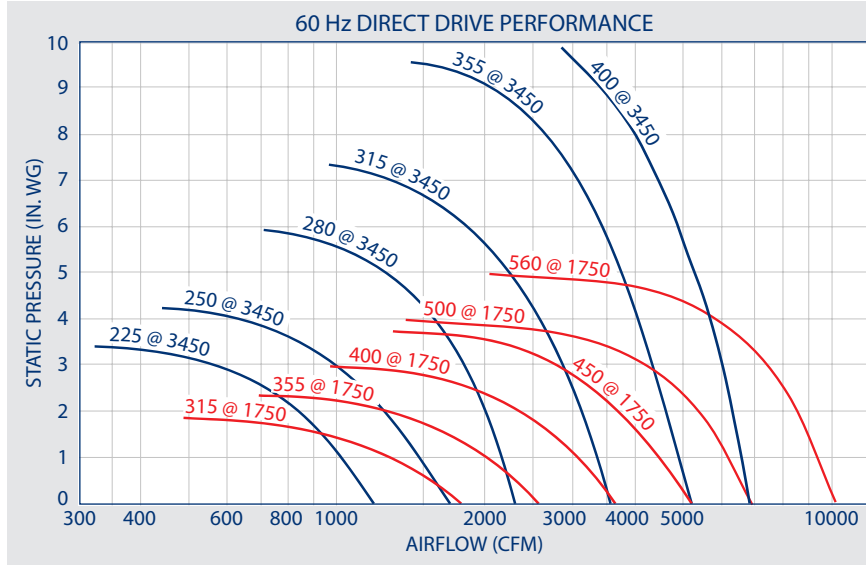
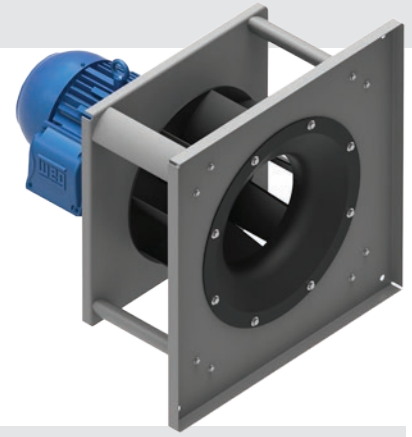
\*DO NOT USE FOR CONSTRUCTION

CONSULT FACTORY FOR CERTIFIED PRINTS

## TEK PLUG FANS

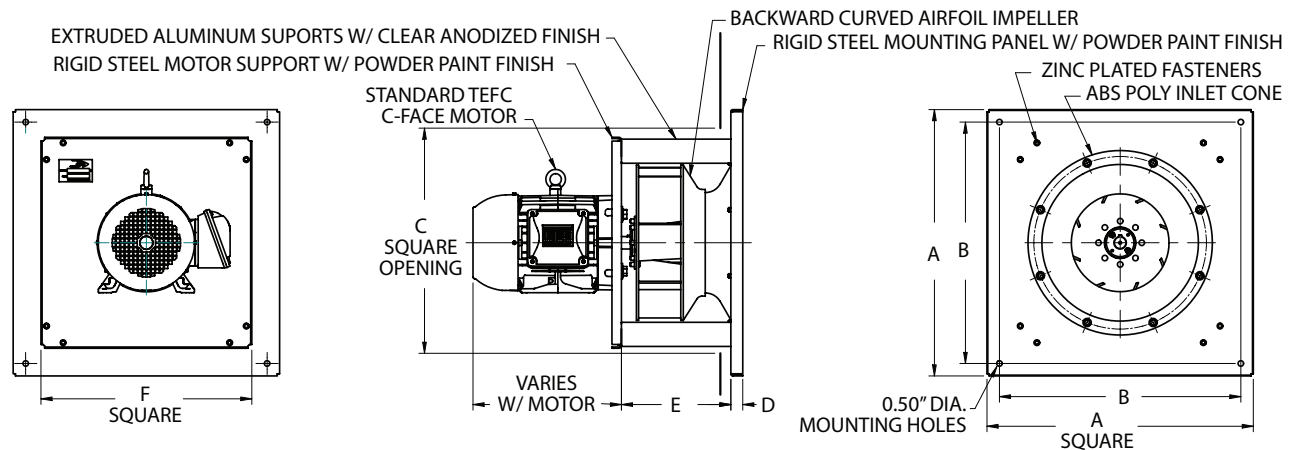
### FEATURES & BENEFITS

- High efficiency, backward curved airfoil impeller
- Injection molded GRP polyamide TEK impeller
- Modular construction, compact design
- OEM custom configurations available
- Horizontal and vertical applications
- Non-overloading power characteristics
- TEFC face mounted motors
- Supply and return air applications



MOTOR CHART		
MODEL	RPM	MTR HP
TEK225H-V2	3450	1/2
TEK250H-V2	3450	3/4
TEK280H-V2	3450	1 1/2
TEK315H-V4	1750	1/2
TEK315H-V2	3450	3
TEK355H-V4	1750	3/4
TEK355H-V2	3450	5
TEK400H-V4	1750	1 1/2
TEK400H-V2	3450	7 1/2
TEK450H-V4	1750	2
TEK500H-V4*	1750	5
TEK560H-V4*	1750	7 1/2

\*CCW ROTATION ONLY FOR MODELS  
TEK500H-V4 & TEK560H-V4



MODEL	DIMENSIONS IN INCHES*					
	A	B	C	D	E	F
TEK225H-V2	20.0	17.8	14.0	1.1	6.4	13.0
TEK250H-V2	20.0	17.8	15.0	1.1	7.1	14.0
TEK280H-V2	20.0	17.8	16.0	1.1	7.9	15.0
TEK315H-V4 / V2	24.0	21.8	17.5	1.1	8.6	17.0
TEK355H-V4 / V2	24.0	21.8	19.5	1.1	9.5	19.0
TEK400H-V4 / V2	28.0	25.8	20.5	1.1	10.5	20.0
TEK450H-V4	28.0	25.8	24.0	1.1	11.7	23.6
TEK500H-V4	Consult Factory					
TEK560H-V4	Consult Factory					

\*DO NOT USE FOR CONSTRUCTION

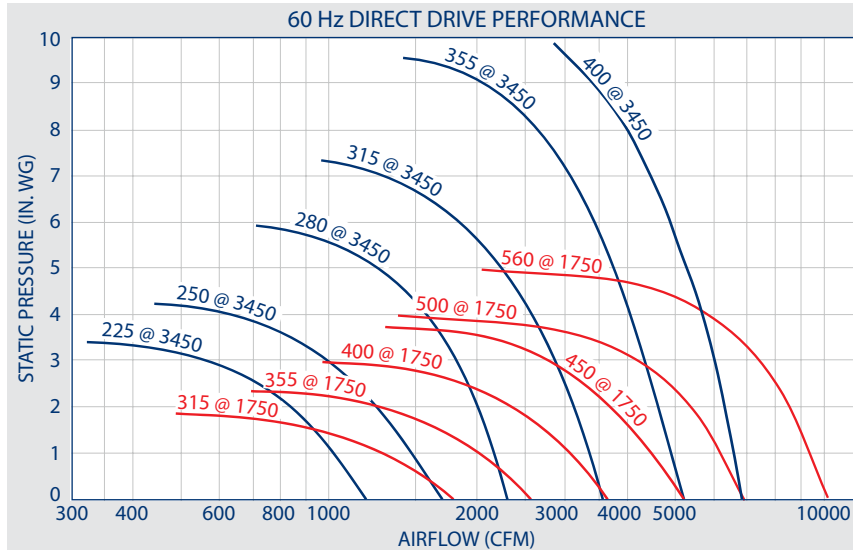
CONSULT FACTORY FOR CERTIFIED PRINTS

# PLUG & PLENUM FANS

## TEK PLENUM FANS

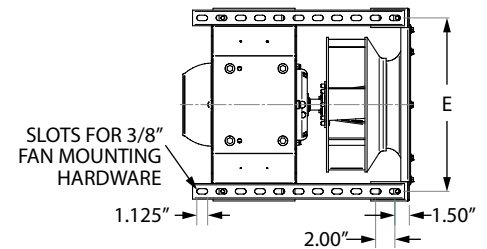
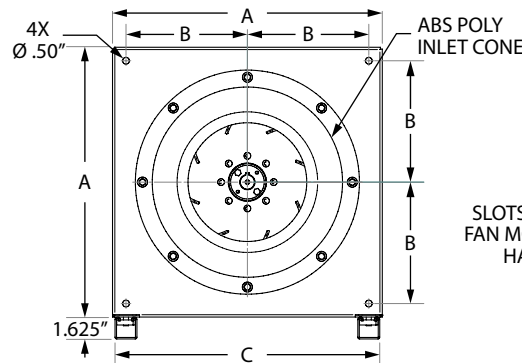
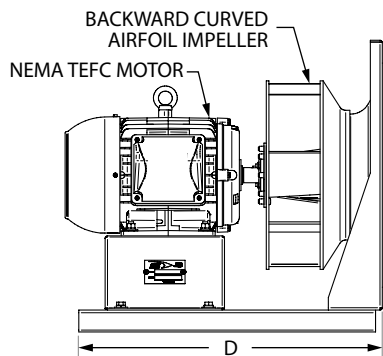
### FEATURES & BENEFITS

- High efficiency, backward curved airfoil impeller
- Injection molded GRP polyamide TEK impeller
- Modular construction, compact design
- OEM custom configurations available
- Horizontal and vertical applications
- Non-overloading power characteristics
- TEFC industrial duty motors
- Supply and return air applications



MOTOR CHART		
MODEL	RPM	MTR HP
TEK225H-H2	3450	1/2
TEK250H-H2	3450	3/4
TEK280H-H2	3450	1 1/2
TEK315H-H4	1750	1/2
TEK315H-H2	3450	3
TEK355H-H4	1750	3/4
TEK355H-H2	3450	5
TEK400H-H4	1750	1 1/2
TEK400H-H2	3450	7 1/2
TEK450H-H4	1750	2
TEK500H-H4*	1750	5
TEK560H-H4*	1750	7 1/2

\*CCW ROTATION ONLY FOR MODELS  
TEK500H-H4 & TEK560H-H4



MODEL	DIMENSIONS IN INCHES*				
	A	B	C	D	E
TEK225H-H2	20.00	9.00	19.62	22.50	18.00
TEK250H-H2	20.00	9.00	19.62	22.50	18.00
TEK280H-H2	20.00	9.00	19.62	22.50	18.00
TEK315H-H4	20.00	9.00	19.62	22.50	18.00
TEK315H-H2	20.00	9.00	19.62	22.50	18.00
TEK355H-H4	20.00	9.00	19.62	22.50	18.00
TEK355H-H2	20.00	9.00	19.62	22.50	18.00
TEK400H-H4	30.00	13.50	29.62	28.50	28.00
TEK400H-H2	30.00	13.50	29.62	28.50	28.00
TEK450H-H4	30.00	13.50	29.62	28.50	28.00
TEK500H-H4	30.00	13.50	29.62	28.50	28.00
TEK560H-H4	30.00	13.50	29.62	28.50	28.00

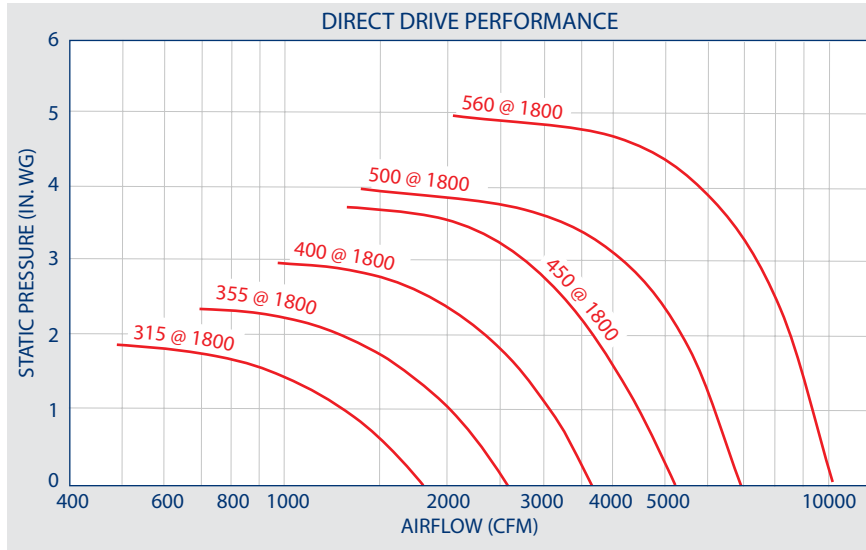
\*DO NOT USE FOR CONSTRUCTION

CONSULT FACTORY FOR CERTIFIED PRINTS

## TEK-ECM PLENUM FANS

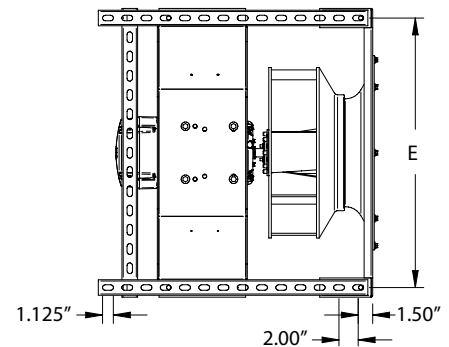
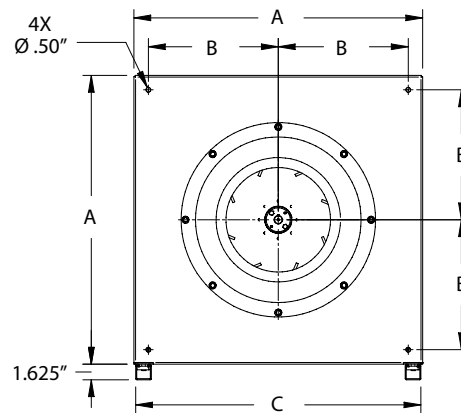
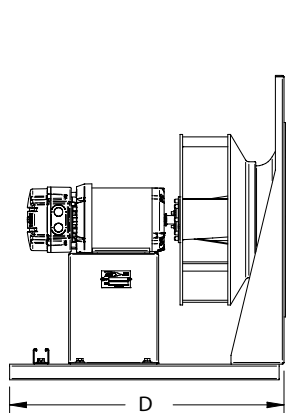
### FEATURES & BENEFITS

- IE5 efficiency, electronically commutated (EC) motor
- Plug-and-play integrated motor and drive
- Bluetooth communication available
- High efficiency, backward curved airfoil impeller
- Injection molded GRP polyamide TEK impeller
- OEM custom configurations available
- Non-overloading power characteristics
- Ideal for variable speed applications
- Available in 6 sizes up to 10,000 cfm



EC MOTOR CHART		
MODEL	RPM	ECM HP
TEK315H-H4-ECM	1800	½
TEK355H-H4-ECM	1800	¾
TEK400H-H4-ECM	1800	1 ½
TEK450H-H4-ECM	1800	2
TEK500H-H4-ECM*	1800	5
TEK560H-H4-ECM*	1800	7 ½

\*CCW ROTATION ONLY FOR MODELS  
TEK500H-H4-ECM & TEK560H-H4-ECM



MODEL	DIMENSIONS IN INCHES*				
	A	B	C	D	E
TEK315H-H4-ECM	20.00	9.00	19.62	22.50	18.00
TEK355H-H4-ECM	20.00	9.00	19.62	22.50	18.00
TEK400H-H4-ECM	30.00	13.50	29.62	28.50	28.00
TEK450H-H4-ECM	30.00	13.50	29.62	28.50	28.00
TEK500H-H4-ECM	30.00	13.50	29.62	28.50	28.00
TEK560H-H4-ECM	30.00	13.50	29.62	28.50	28.00

\*DO NOT USE FOR CONSTRUCTION

CONSULT FACTORY FOR CERTIFIED PRINTS

# PANEL & FLANGE FANS

## AFK DIRECT DRIVE FLANGE FANS

### FEATURES & BENEFITS

- Spark resistant, cast aluminum airfoil axial impeller
- Unit can be built for supply or exhaust configurations
- Superior performance and sound characteristics
- Heavy gauge steel
- Baked polyester powder coat finish
- TEFC industrial duty motor
- GRP (polypropylene) impeller available
- Ideal for OEM applications or new construction
- Fully reversible design option available
- Sizes range from 12" to 42"
- Capacities to 34,000 cfm from stock components
- Custom designs available

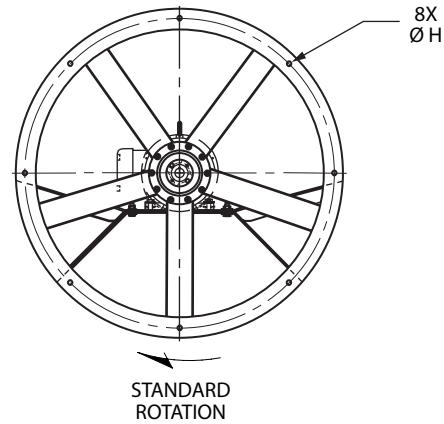
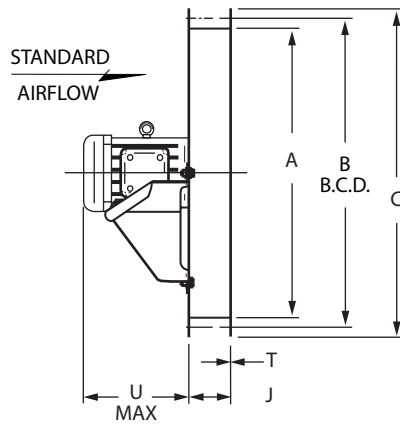


### APPLICATIONS

- General ventilation
- Industrial drying
- Renewable energy
- OEM condensing units
- Marine / shipboard applications
- Circulation / recirculation units

### ACCESSORIES / OPTIONS

- Special coatings
- Special materials
- Mounting panel
- Motor side guard
- Impeller side guard
- Reverse flow construction
- Housing yoke with mounting bracket
- AMCA spark resistant construction - consult factory
- Explosion proof & special duty motors



DIMENSIONS IN INCHES\*

MODEL	A	B	C	H	J	T	U MAX	MAX MTR FRAME
AFK-12	12.2	13.8	15.0	0.44	3.0	0.06	11.5	143/5T
AFK-14	14.2	16.3	17.5	0.44	3.0	0.06	11.5	143/5T
AFK-16	16.2	18.0	19.5	0.44	4.0	0.08	11.5	143/5T
AFK-18	18.2	20.8	22.0	0.44	4.0	0.08	11.5	143/5T
AFK-21	21.2	23.3	24.5	0.44	4.0	0.08	11.5	143/5T
AFK-24	24.2	26.3	27.5	0.44	4.0	0.08	11.5	143/5T
AFK-27	27.2	29.3	31.0	0.44	4.0	0.08	13.3	182/4T
AFK-30	30.2	32.6	34.5	0.56	4.0	0.11	16.5	213/5T
AFK-36	36.2	38.4	40.5	0.56	5.0	0.11	16.5	213/5T
AFK-42	42.2	44.6	46.5	0.56	5.0	0.11	21.5	254/6T

\*DO NOT USE FOR CONSTRUCTION

CONSULT FACTORY FOR CERTIFIED PRINTS



## AFK-ECM DIRECT DRIVE FLANGE FANS

### FEATURES & BENEFITS

- Ideal for maximum savings on variable speed applications
- IE5 efficiency, electronically commutated (EC) motors
- Plug-and-play integrated motor and drive
- Bluetooth communication and programming software available
- 1 to 10 HP motors available for 50/60Hz supply
- Single phase 110-115V or 200-240V; 3-phase 200-240V or 380-480V
- Supply, exhaust or fully reversible configurations
- Cast aluminum airfoil impellers as standard, optional GRP available
- Heavy gauge steel construction with baked polyester finish
- Customizable for OEM applications or new construction
- Sizes range from 12" to 42"
- Capacities up to 40,000 cfm

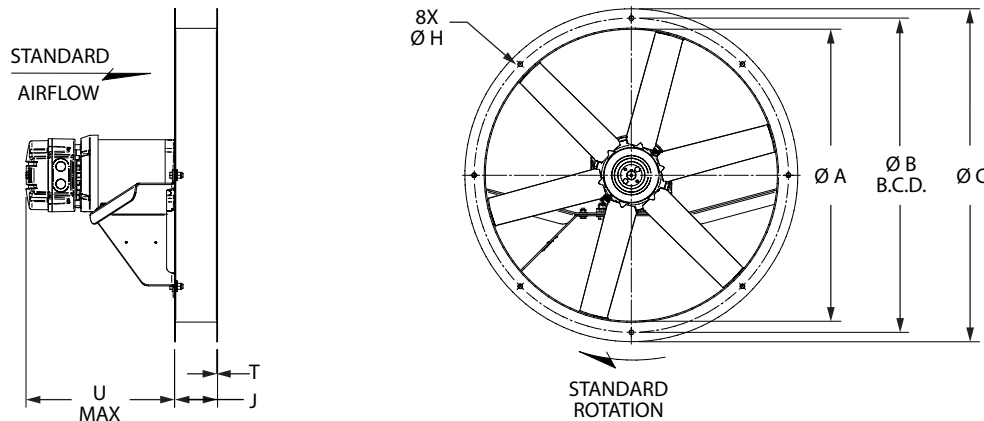


### APPLICATIONS

- General ventilation
- Industrial drying
- Renewable energy
- OEM cabinet cooling
- Variable speed AHUs
- Circulation / recirculation units

### ACCESSORIES / OPTIONS

- Special coatings
- Special materials
- Mounting panel
- Motor side guard
- Impeller side guard
- Reverse flow construction
- Housing yoke with mounting bracket
- Axial- or top-mount drive up to 7.5 HP motors
- Top-mount drive for 10 HP motors



DIMENSIONS IN INCHES\*

MODEL	A	B	C	H	J	T	U MAX	MAX MTR FRAME
AFK-12-ECM	12.2	13.8	15.0	0.44	3.0	0.06	14.5	143/5T
AFK-14-ECM	14.2	16.3	17.5	0.44	3.0	0.06	14.5	143/5T
AFK-16-ECM	16.2	18.0	19.5	0.44	4.0	0.08	14.5	143/5T
AFK-18-ECM	18.2	20.8	22.0	0.44	4.0	0.08	14.5	143/5T
AFK-21-ECM	21.2	23.3	24.5	0.44	4.0	0.08	14.5	143/5T
AFK-24-ECM	24.2	26.3	27.5	0.44	4.0	0.08	19.5	182/4T
AFK-27-ECM	27.2	29.3	31.0	0.44	4.0	0.08	19.5	182/4T
AFK-30-ECM	30.2	32.6	34.5	0.56	4.0	0.11	20.5	213/5T
AFK-36-ECM	36.2	38.4	40.5	0.56	5.0	0.11	20.5	213/5T
AFK-42-ECM	42.2	44.6	46.5	0.56	5.0	0.11	15.9 (top drive)	213/5T

\*DO NOT USE FOR CONSTRUCTION

CONSULT FACTORY FOR CERTIFIED PRINTS

# PANEL & FLANGE FANS

## APW DIRECT DRIVE PANEL FANS

### FEATURES & BENEFITS

- Spark resistant, cast aluminum airfoil axial impeller
- Factory set adjustable pitch blades
- Baked polyester powder coat finish
- Heavy duty welded steel motor base and panel construction
- TEFC industrial duty motor
- Simple maintenance– no belts or pulleys
- Sizes range from 14" to 60"
- Capacities to 60,000 cfm

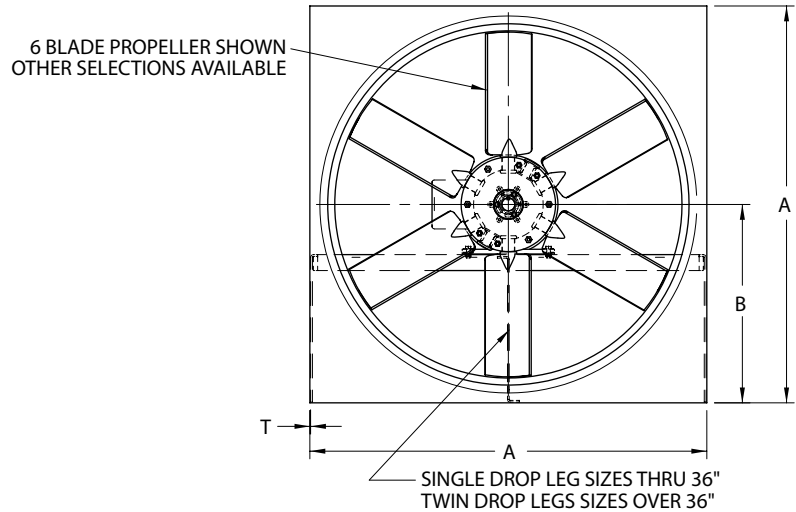
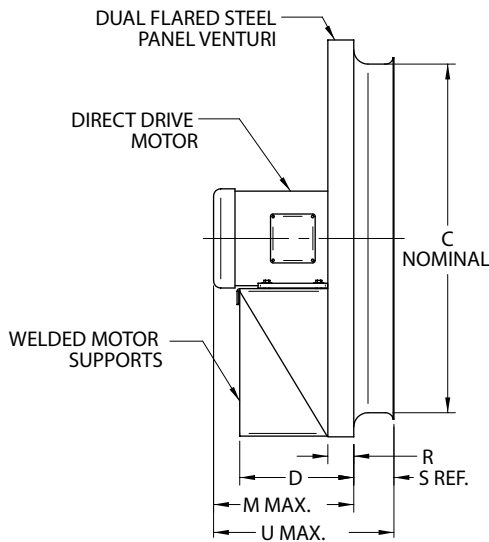


### APPLICATIONS

- General ventilation
- Foundry ventilation
- Parking garage ventilation
- Power plant ventilation
- Petrochemical ventilation
- Warehouse ventilation

### ACCESSORIES / OPTIONS

- Weather hood
- Bird screen
- Mounting boot
- Special coatings & materials
- Motor side guard
- Reverse flow construction
- Gravity & motor operated shutters
- AMCA spark resistant construction - consult factory
- Explosion proof & special duty motors



MODEL	DIMENSIONS IN INCHES*									MAX MTR FRAME
	A	B	C	D	M	R	S	T	U	
APW-14	18.0	9.0	14.8	9.3	11.1	2.0	1.8	0.1	12.9	56
APW-16	20.0	10.0	16.8	9.3	11.9	2.0	2.5	0.1	14.4	56
APW-18	22.0	11.0	18.8	10.1	13.1	2.0	2.5	0.1	15.6	182/4T
APW-21	24.0	12.0	20.8	9.6	12.8	2.0	3.3	0.1	16.1	182/4T
APW-24	30.0	15.0	24.8	12.7	15.2	2.8	3.6	0.1	18.8	213/5T
APW-27	32.0	16.0	27.9	12.7	15.2	2.8	4.0	0.1	19.2	213/5T
APW-30	36.0	18.0	31.0	12.8	15.2	2.8	3.7	0.1	18.8	213/5T
APW-36	42.0	21.0	36.9	17.4	19.8	2.8	4.3	0.1	24.1	254/6T
APW-42	48.0	24.0	42.9	17.4	19.8	2.8	4.8	0.1	24.6	254/6T
APW-48	54.0	27.0	48.9	19.7	23.6	2.8	4.8	0.1	28.3	284/6T
APW-54	60.0	30.0	55.0	22.4	26.9	2.8	5.0	0.1	31.9	324/6T
APW-60	Contact Factory									

AIRFLOW PERFORMANCE (CFM)	
MODEL	MAXIMUM
APW-14	3,000
APW-16	4,500
APW-18	6,000
APW-21	7,500
APW-24	12,000
APW-27	16,000
APW-30	22,000
APW-36	28,000
APW-42	36,000
APW-48	46,000
APW-54	60,000
APW-60	Contact Factory

\*DO NOT USE FOR CONSTRUCTION

CONSULT FACTORY FOR CERTIFIED PRINTS

## APK DIRECT DRIVE PANEL FANS

### FEATURES & BENEFITS

- Spark resistant, cast aluminum airfoil axial impeller
- Superior performance and sound characteristics
- Heavy gauge steel
- Baked polyester powder coat finish
- TEFC industrial duty motor
- GRP (polypropylene) impeller available
- Aluminum construction available
- Sizes range from 12" to 36"
- Capacities to 23,000 cfm from stock components
- Custom designs available

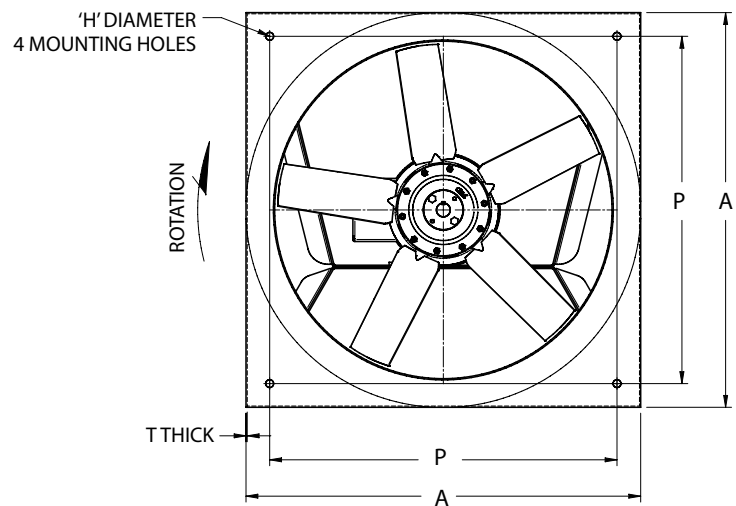
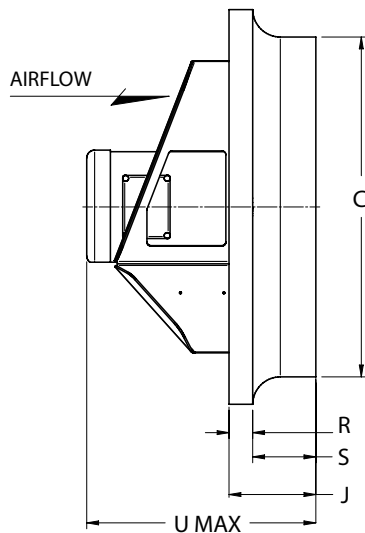


### APPLICATIONS

- OEM
- Replacement parts
- New construction

### ACCESSORIES / OPTIONS

- Weather hood
- Motor & impeller side guards
- Motorized & gravity dampers
- Mounting boot
- Filter cabinet
- AMCA spark resistant construction - consult factory



DIMENSIONS IN INCHES*										
MODEL	A	C	H	J	P	R	S	T	U MAX	MAX MTR FRAME
APK-12	16	12.4	0.5	4.0	13.0	1.5	2.5	0.06	14.8	143/5T
APK-14	18	14.4	0.5	3.5	15.0	1.0	2.5	0.06	14.8	143/5T
APK-16	20	16.4	0.5	4.3	17.0	1.3	3.0	0.06	14.8	143/5T
APK-18	22	18.4	0.5	4.8	19.0	1.3	3.5	0.08	14.8	143/5T
APK-21	25	21.4	0.5	5.5	22.0	1.5	4.0	0.08	14.8	143/5T
APK-24	28	24.4	0.5	5.5	25.0	1.5	4.0	0.08	16.8	182/4T
APK-27	32	27.4	0.5	5.5	29.0	1.5	4.0	0.08	16.8	182/4T
APK-30	36	30.4	0.4	5.5	33.3	2.0	3.5	0.08	20.6	213/5T
APK-36	42	36.4	0.4	6.0	39.3	2.0	4.0	0.08	26.1	213/5T

\*DO NOT USE FOR CONSTRUCTION

CONSULT FACTORY FOR CERTIFIED PRINTS

# PANEL & FLANGE FANS

## SEF, GEF & PEF WALL FANS

### FEATURES & BENEFITS

- Suitable for through-the-wall installation
- 2 or 3 speed operation, pull chain switch
- 120 VAC single phase 60 Hz operation
- UL/CSA approved motor
- Totally enclosed permanently lubricated motor
- External junction box
- Aluminum fan blades
- Galvanized frame (SEF model only)
- Painted steel panel (PEF model only)
- Plated steel spiral wire guard
- Mounts directly to inside wall
- Capacities to 3,950 cfm; sizes: 10" to 30"



### APPLICATIONS

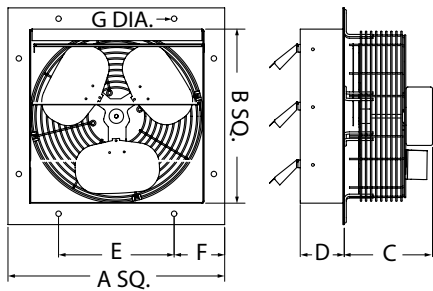
- Warehouse ventilation
- General ventilation
- Factory ventilation
- Equipment room ventilation
- Mechanical room exhaust
- Equipment cooling

### Accessories / Options

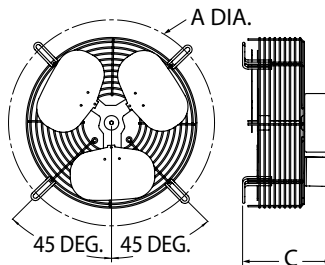
- WS wall shutter for models PEF and GEF
  - Aluminum blades; galvanized steel frame

FAN SIZE	MTR HP	AMPS (HIGH)	AIRFLOW PERFORMANCE (CFM)		
			HIGH	MEDIUM	LOW
10	1/2	1.0	680	540	460
12	1/2	1.1	825	710	560
14	3/8	2.0	1520	1400	1250
16	3/8	2.1	2100	1900	1700
18	3/8	2.2	2300	2100	1850
20	1/4	2.3	2925	N/A	2380
24	1/4	2.5	3400	N/A	2770
30	1/4	2.7	3950	N/A	3080

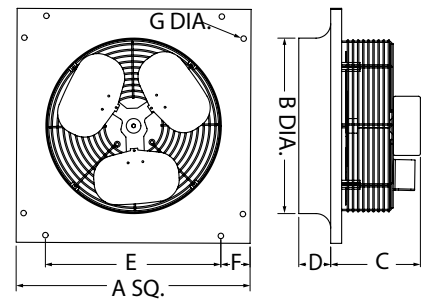
### SEF Shutter Mount Fans



### GEF Guard Mount Fans



### PEF Panel Mount Fans



DIMENSIONS IN INCHES*								WT (lbs)
MODEL	A	B	C	D	E	F	G	
SEF-10	13.0	10.1	6.1	2.5	6.0	3.5	0.3	11
SEF-12	15.0	12.1	7.1	2.5	8.0	3.5	0.3	16
SEF-14	17.0	14.1	7.9	2.5	10.0	3.5	0.3	17
SEF-16	19.0	16.1	7.9	2.5	12.0	3.5	0.3	18
SEF-18	21.0	18.1	7.6	2.5	14.0	3.5	0.3	25
SEF-20	23.0	20.1	9.4	2.5	16.0	3.5	0.3	34
SEF-24	27.0	24.1	9.9	2.5	20.0	3.5	0.3	47
SEF-30	33.0	30.1	9.9	3.0	26.0	3.5	0.3	54

\*DO NOT USE FOR CONSTRUCTION

DIMENSIONS IN INCHES*			
MODEL	A	C	WT (lbs)
GEF-10	14.1	5.8	11
GEF-12	16.4	6.8	12
GEF-14	18.2	7.6	17
GEF-16	20.3	7.6	18
GEF-18	22.6	7.3	19
GEF-20	25.4	9.1	34
GEF-24	29.0	9.6	38
GEF-30	34.8	9.6	42

DIMENSIONS IN INCHES*								WT (lbs)
MODEL	A	B	C	D	E	F	G	
PEF-10	12.5	10.3	6.1	1.0	3.8	4.4	0.3	11
PEF-12	14.5	12.3	7.1	1.0	5.8	4.4	0.3	17
PEF-14	17.0	14.3	7.9	1.5	8.3	4.4	0.3	17
PEF-16	19.0	16.3	7.9	1.9	10.3	4.4	0.3	18
PEF-18	21.0	18.1	7.6	1.8	12.3	4.4	0.3	26
PEF-20	23.0	20.3	9.4	1.8	14.3	4.4	0.3	34
PEF-24	28.0	24.3	9.9	2.5	18.3	4.4	0.3	48
PEF-30	34.0	30.3	9.9	2.5	24.3	4.4	0.3	55

CONSULT FACTORY FOR CERTIFIED PRINTS

## TCC MOTORIZED BLOWERS

### FEATURES & BENEFITS

- Speed controllable external rotor motor
- High efficiency BC airfoil polyamide impeller
- Epoxy coated steel housing
- Flanged and drilled outlet, ABS inlet cone
- Available in single or three phase voltages
- Capacities: 500 cfm to 5,000 cfm
- cULus and CE approved motor

### ACCESSORIES / OPTIONS

- Inlet flange
- Blower damper
- Aluminum shaft seal
- Weather hood

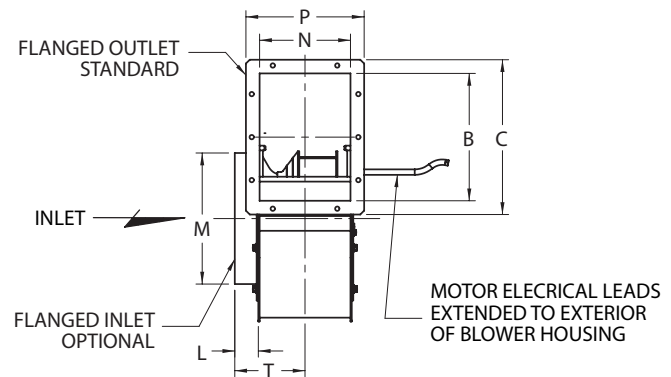
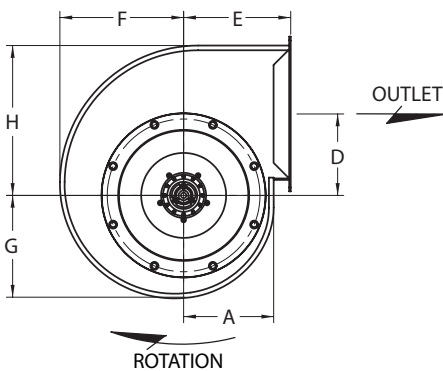


115V - 1 PHASE						60 Hz PERFORMANCE		
PART NUMBER	MOTOR	CFM	RPM	WATTS	AMPS	TEMP. RANGE		CAPACITOR
						MIN	MAX	
TCC225-2-11	ED080	830	2780	410	3.0	-22	131	20 x 400V
TCC250-2-11	ED106	1190	2810	610	4.9	-22	104	40 x 400V
TCC280-2-11	ED106	1760	3010	1200	10.2	-22	104	60 x 400V
TCC280-4-11	ED080	1070	1520	180	1.6	-22	158	12 x 400V
TCC315-4-11	ED080	1400	1450	290	2.6	-22	104	16 x 400V
TCC355-4-11	ED106	2280	1610	600	5.4	-22	122	40 x 400V
TCC400-4-11	ED106	3090	1350	800	7.0	-22	140	50 x 400V
TCC450-4-11	ED137	5060	1510	1700	15.2	-22	122	100 x 400V

230V - 1 PHASE						60 Hz PERFORMANCE		
PART NUMBER	MOTOR	CFM	RPM	WATTS	AMPS	TEMP. RANGE		CAPACITOR
						MIN	MAX	
TCC225-2-12	ED080	830	2780	410	1.5	-22	131	6 x 400V
TCC250-2-12	ED106	1190	2810	610	2.5	-22	104	10 x 400V
TCC280-2-12	ED106	1760	3010	1200	5.1	-22	104	16 x 400V
TCC280-4-12	ED080	1070	1520	180	0.8	-22	158	3 x 400V
TCC315-2-12	ED137	2120	3250	2420	9.7	-22	104	35 x 400V
TCC315-4-12	ED080	1400	1450	290	1.3	-22	104	4 x 400V
TCC355-4-12	ED106	2280	1610	600	2.7	-22	122	10 x 400V
TCC400-4-12	ED106	3090	1350	800	3.5	-22	140	12 x 400V
TCC450-4-12	ED137	5060	1510	1700	7.6	-22	122	25 x 400V

FOR 3 PHASE MODELS AND 50 HZ OPERATION - CONSULT FACTORY.



MODEL	DIMENSIONS IN INCHES*												
	A	B	C	D	E	F	G	H	L	M	N	P	T
TCC225	6.0	7.7	10.2	5.6	7.5	8.2	6.8	9.9	1.8	8	5.9	8.5	5.0
TCC250	6.6	8.7	11.0	6.1	8.2	9.0	7.5	10.9	1.9	9	6.9	9.3	5.5
TCC280	7.4	10.1	12.6	6.8	8.9	10.1	8.4	12.2	1.9	10	7.5	10.0	5.7
TCC315	8.3	11.7	14.2	7.5	9.8	11.3	9.4	13.7	2.4	12	8.3	10.8	6.7
TCC355	9.2	13.3	15.8	8.4	10.7	12.7	10.5	15.4	2.4	14	9.3	11.8	7.2
TCC400	10.4	15.1	18.3	9.3	11.8	14.1	11.8	17.2	2.4	16	10.4	13.8	7.9
TCC450	11.7	16.8	20.1	10.6	13.2	15.9	13.1	19.3	2.5	18	11.5	15.0	8.3

\*DO NOT USE FOR CONSTRUCTION

CONSULT FACTORY FOR CERTIFIED PRINTS

# CENTRIFUGAL FANS & BLOWERS

## TCD BC AIRFOIL BLOWERS

### FEATURES & BENEFITS

- Direct drive, non-overloading 'TEK' impeller
- Highly efficient airfoil (BCA) design
- Epoxy coated steel housing
- Flanged and drilled outlet, ABS inlet cone
- Rugged GRP (polyamide) impeller
- Single or three phase TEFC motors
- CW rotation; rotatable to 5 positions
- Capacities to 4,500 cfm



### ACCESSORIES / OPTIONS

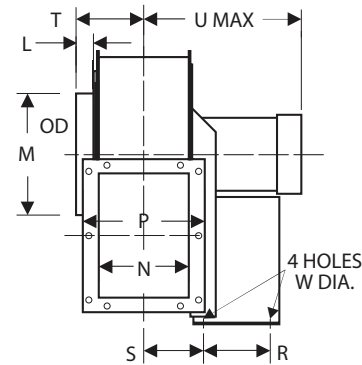
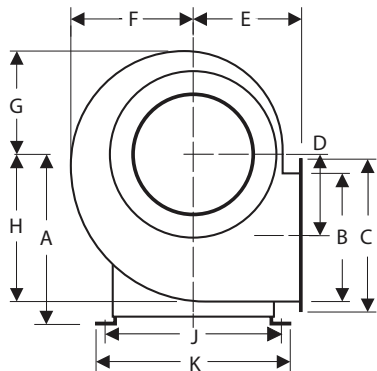
- Backdraft damper
- Shaft seal
- Weather hood
- Inlet flanges & guards
- Gravity shutter
- Drain w/plug
- Special duty motors
- CCW rotation

#### AIRFLOW PERFORMANCE (CFM) AT 1750 RPM

MODEL	MTR HP	dBA @5'	0" SP		.5" SP		1" SP		1.5" SP		2" SP		2.5" SP		3" SP		3.5" SP	
			CFM	BHP	CFM	BHP	CFM	BHP	CFM	BHP	CFM	BHP	CFM	BHP	CFM	BHP	CFM	BHP
TCD250	¼	58	840	0.08	670	0.09	440	0.08	-	-	-	-	-	-	-	-	-	-
TCD280	¼	62	1130	0.18	1030	0.18	770	0.18	350	0.16	-	-	-	-	-	-	-	-
TCD315	½	67	1650	0.33	1480	0.33	1290	0.34	1010	0.33	570	0.28	-	-	-	-	-	-
TCD355	¾	72	2320	0.63	2110	0.64	1900	0.65	1630	0.64	1300	0.63	720	0.57	-	-	-	-
TCD400	1½	73	3070	1.20	2880	1.21	2650	1.22	2410	1.23	2140	1.22	1790	1.21	1240	1.17	-	-
TCD450	2	74	4490	1.75	4320	1.77	4080	1.80	3780	1.81	3460	1.82	3080	1.80	2660	1.77	2160	1.69

#### AIRFLOW PERFORMANCE (CFM) AT 3450 RPM

MODEL	MTR HP	dBA @5'	0" SP		1" SP		2" SP		3" SP		4" SP		5" SP		6" SP		7" SP	
			CFM	BHP	CFM	BHP	CFM	BHP	CFM	BHP	CFM	BHP	CFM	BHP	CFM	BHP	CFM	BHP
TCD200	⅓	68	870	0.24	700	0.24	500	0.21	275	0.17	-	-	-	-	-	-	-	-
TCD225	½	73	1060	0.42	950	0.43	780	0.44	580	0.42	-	-	-	-	-	-	-	-
TCD250	¾	75	1625	0.64	1520	0.65	1320	0.66	1110	0.66	870	0.64	440	0.53	-	-	-	-
TCD280	1½	77	2220	1.35	2170	1.37	2000	1.39	1760	1.41	1480	1.40	1150	1.34	560	1.13	-	-
TCD315	3	82	3330	2.48	3160	2.52	2960	2.53	2740	2.55	2500	2.57	2230	2.58	1910	2.53	1480	2.34
TCD355	5	86	4574	4.83	4412	4.75	4324	4.83	4180	4.67	4060	4.67	3553	4.60	3230	4.53	2850	4.37



#### DIMENSIONS IN INCHES\*

MODEL	A	B	C	D	E	F	G	H	J	K	L	M	N	P	R	S	T	U MAX	W	WT (lbs) LESS MTR
TCD200	10.5	7.1	9.5	4.7	6.8	7.2	6.1	8.6	11.5	13.0	1.5	7.0	5.3	7.7	5.5	3.7	4.3	11.1	0.5	43
TCD225	11.5	7.9	10.2	5.6	7.5	8.3	6.9	9.9	12.5	14.0	1.5	8.0	6.1	8.5	5.5	4.1	4.7	12.9	0.5	51
TCD250	12.5	8.7	11.0	6.4	8.2	9.1	7.6	11.1	13.5	15.0	1.5	9.0	6.9	9.3	5.5	4.5	5.1	13.3	0.5	56
TCD280	14.0	10.2	12.6	6.7	8.9	10.1	8.5	12.2	14.5	16.0	1.5	10.0	7.7	10.0	8.0	4.9	5.5	13.7	0.5	69
TCD315	15.5	11.8	14.2	7.6	9.8	11.3	9.6	13.8	17.5	19.5	2.0	12.0	8.5	10.8	10.0	5.6	6.6	16.1	0.6	114
TCD355	17.5	13.4	15.8	8.4	10.7	12.6	10.6	15.4	19.0	21.0	2.0	14.0	9.5	11.8	12.0	6.1	7.1	14.6	0.6	120
TCD400	19.5	15.2	18.3	9.3	11.8	14.1	11.9	17.2	21.0	23.0	2.0	16.0	10.6	13.8	12.0	6.7	7.7	15.7	0.6	147
TCD450	21.5	16.9	20.1	10.5	13.2	16.0	13.3	19.3	23.0	25.0	2.0	18.0	11.8	15.0	12.0	7.3	8.3	17.8	0.6	181

\*DO NOT USE FOR CONSTRUCTION

CONSULT FACTORY FOR CERTIFIED PRINTS

## TFD FLANGE MOUNT BLOWERS

### FEATURES & BENEFITS

- Super quiet, non-overloading 'TEK' impeller
- Highly efficient airfoil (BCA) design
- Epoxy coated steel housing
- Flanged and drilled outlet, ABS inlet cone
- Rugged GRP (polyamide) airfoil impeller
- Single or three phase TEFC motors
- CW rotation rotatable to any position
- Capacities to 4,500 cfm



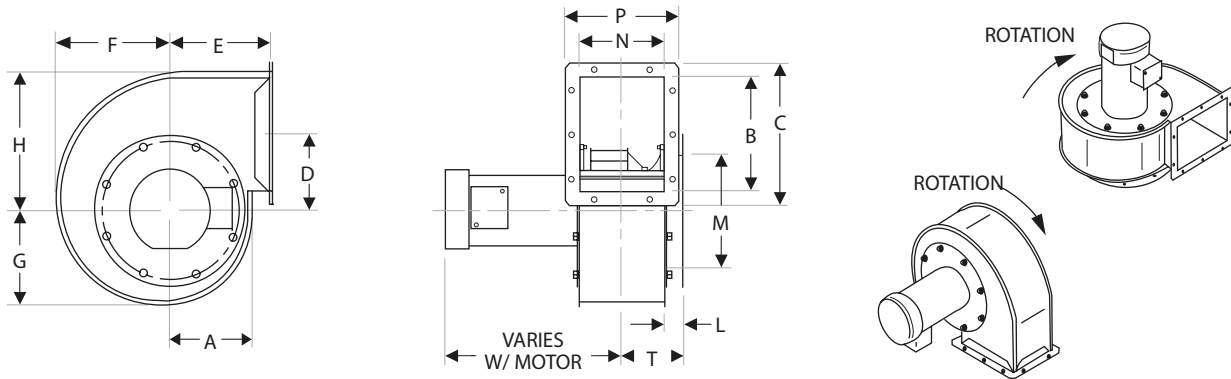
### ACCESSORIES / OPTIONS

- Inlet filter
- Inlet flanges & guards
- CCW rotation
- Shaft seal
- Gravity shutter

AIRFLOW PERFORMANCE (CFM) AT 1750 RPM																		
MODEL	MTR HP	dBA @5'	0" SP		.5" SP		1" SP		1.5" SP		2" SP		2.5" SP		3" SP		3.5" SP	
			CFM	BHP	CFM	BHP	CFM	BHP	CFM	BHP	CFM	BHP	CFM	BHP	CFM	BHP	CFM	BHP
TFD250	¼	58	840	0.1	670	0.1	440	0.1	-	-	-	-	-	-	-	-	-	-
TFD280	¼	62	1130	0.2	1030	0.2	770	0.2	350	0.2	-	-	-	-	-	-	-	-
TFD315	½	67	1650	0.3	1480	0.3	1290	0.3	1010	0.3	570	0.3	-	-	-	-	-	-
TFD355	¾	72	2320	0.6	2110	0.6	1900	0.7	1630	0.6	1300	0.6	720	0.6	-	-	-	-
TFD400	1½	73	3070	1.2	2880	1.2	2650	1.2	2410	1.2	2140	1.2	1790	1.2	1240	1.2	-	-
TFD450	2	74	4490	1.8	4320	1.8	4080	1.8	3780	1.8	3460	1.8	3080	1.8	2660	1.8	2160	1.7

AIRFLOW PERFORMANCE (CFM) AT 3450 RPM																		
MODEL	MTR HP	dBA @5'	0" SP		1" SP		2" SP		3" SP		4" SP		5" SP		6" SP		7" SP	
			CFM	BHP	CFM	BHP	CFM	BHP	CFM	BHP	CFM	BHP	CFM	BHP	CFM	BHP	CFM	BHP
TFD200	¼	68	870	0.2	700	0.2	500	0.2	275	0.2	-	-	-	-	-	-	-	-
TFD225	½	73	1060	0.4	950	0.4	780	0.4	580	0.4	-	-	-	-	-	-	-	-
TFD250	¾	75	1625	0.6	1520	0.7	1320	0.7	1110	0.7	870	0.6	440	0.5	-	-	-	-
TFD280	1½	77	2220	1.4	2170	1.4	2000	1.4	1760	1.4	1480	1.4	1150	1.3	560	1.1	-	-
TFD315	3	82	3330	2.5	3160	2.5	2960	2.5	2740	2.6	2500	2.6	2230	2.6	1910	2.5	1480	2.3



DIMENSIONS IN INCHES*													
MODEL	A	B	C	D	E	F	G	H	L	M	N	P	T
TFD200	5.4	6.9	9.5	4.9	6.8	7.3	6.1	8.8	1.6	7.0	5.2	7.7	4.3
TFD225	6.0	7.7	10.2	5.6	7.5	8.2	6.8	9.9	1.6	8.0	5.9	8.5	4.7
TFD250	6.6	8.7	11.0	6.1	8.2	9.0	7.5	10.9	1.7	9.0	6.9	9.3	5.2
TFD280	7.4	10.1	12.6	6.8	8.9	10.1	8.4	12.2	1.7	10.0	7.5	10.0	5.5
TFD315	8.2	11.7	14.2	7.5	9.8	11.3	9.3	13.7	2.2	12.0	8.3	10.8	6.4
TFD355	9.2	13.3	15.8	8.4	10.7	12.7	10.5	15.4	2.2	14.0	9.3	11.8	6.9
TFD400	10.4	15.1	18.3	9.2	11.8	14.1	11.8	17.1	2.2	16.0	10.4	13.8	7.5
TFD450	11.7	16.8	20.1	10.6	13.2	15.9	13.1	19.3	2.2	18.0	11.5	15.0	8.1

\*DO NOT USE FOR CONSTRUCTION

CONSULT FACTORY FOR CERTIFIED PRINTS

# CENTRIFUGAL FANS & BLOWERS

## KRD RADIAL BLADE BLOWERS

### FEATURES & BENEFITS

- Welded 16-gauge steel housing and motor base
- Dynamically balanced cast aluminum wheel
- Self cleaning wheel designed for efficient operation
- Baked polyester powder coat finish
- Single or three phase TEFC motors; also available without motor
- Explosion proof motors available - consult factory
- Standard discharge: CW bottom horizontal; rotatable to 8 positions
- Field adjustable rotation and discharge
- Capacities to 3,307 cfm



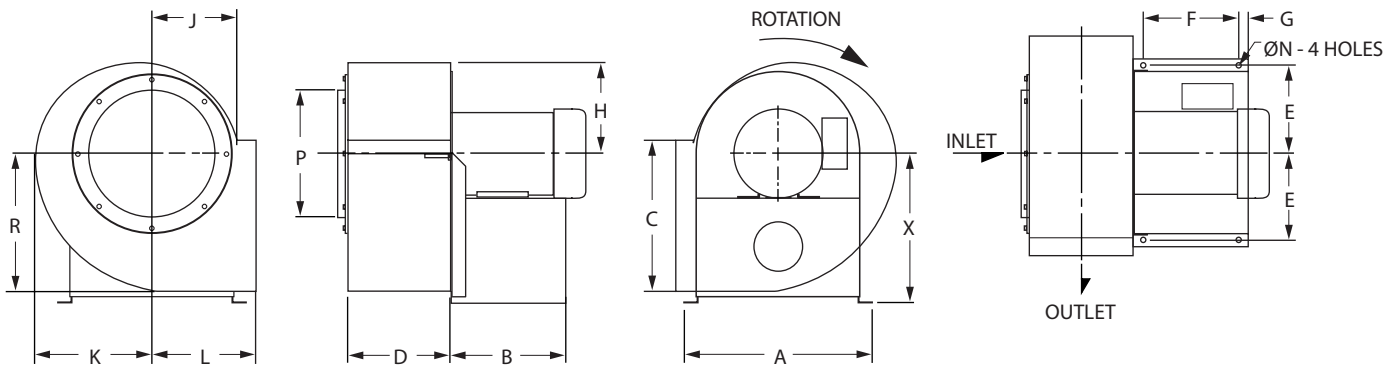
### APPLICATIONS

- Small exhaust systems where air is laden with dust or grit
- Suitable for air containing dirt, lint or foreign material, as wheel is self cleaning

### ACCESSORIES / OPTIONS

- Custom coatings
- Inlet & discharge screens
- Discharge dampers
- Weather proof motor cover
- Inlet & discharge flanges
- Factory mounted motors
- Spark resistant construction

MODEL	MTR HP	dBA @5'	AIRFLOW PERFORMANCE (CFM) AT 1750 RPM											
			0.125" SP	0.25" SP	0.375" SP	0.50" SP	0.625" SP	0.75" SP	1" SP	1.25" SP	1.50" SP	1.75" SP	2" SP	2.25" SP
KRD-08	¼	64	493	448	396	334	250	93	-	-	-	-	-	-
KRD-09	¼	69	848	788	724	655	572	462	-	-	-	-	-	-
KRD-11	¾	75	1524	1457	1386	1309	1225	1134	916	617	97	-	-	-
KRD-12	1 ½	79	2400	2331	2257	2179	2096	2007	1807	1564	1252	812	166	-
KRD-14	2	81	3307	3221	3134	3046	2956	2863	2664	2438	2164	1786	1181	666



MODEL	DIMENSIONS IN INCHES*																	WT (lbs) LESS MTR	MTR FRAME
	WHEEL SIZE	BORE SIZE	A	B	C	D	E	F	G	H	J	K	L	N	P	R	X		
KRD-08	7 ¾ x 4	5/8	11.0	8.0	8.3	5.4	5.0	7.0	0.5	6.0	4.6	6.8	6.9	0.4	8.0	8.0	8.5	35	56
KRD-09	9 x 5	5/8	12.1	8.0	10.8	6.5	5.6	7.0	0.5	6.8	5.6	7.8	7.1	0.4	9.0	9.3	9.4	45	56
KRD-11	10 7/8 x 5 5/8	5/8	14.8	9.0	11.8	8.0	6.9	7.5	0.8	8.0	6.8	9.1	8.1	0.4	10.0	10.8	11.8	65	56
KRD-12	12 ½ x 7 ½	7/8	16.4	10.5	13.3	9.6	7.4	8.8	0.9	10.1	8.5	11.5	10.5	0.6	13.3	13.3	17.0	95	145T
KRD-14	13 ½ x 8 ½	7/8	17.6	10.5	14.6	10.8	8.0	8.8	0.9	11.1	9.4	12.6	11.4	0.6	14.5	14.6	17.0	120	145T

\*DO NOT USE FOR CONSTRUCTION

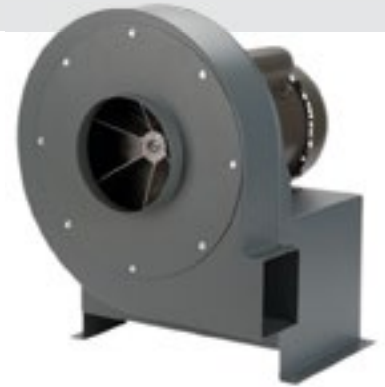
CONSULT FACTORY FOR CERTIFIED PRINTS



## PRD RADIAL BLADE PRESSURE BLOWERS

### FEATURES & BENEFITS

- Welded 16-gauge steel housing and motor base
- Dynamically balanced cast aluminum wheel
- Self cleaning wheel designed for efficient operation
- Baked polyester powder coat finish
- Single or three phase TEFC motors; also available without motor
- Explosion proof motors available - consult factory
- Standard discharge: CW bottom horizontal; rotatable to 8 positions
- Field adjustable rotation and discharge
- Capacities to 2,100 cfm



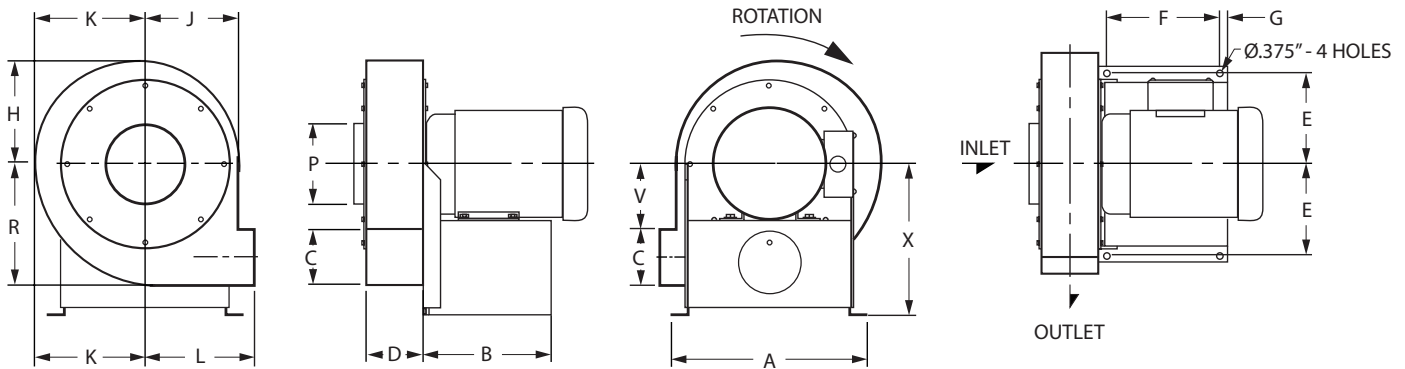
### APPLICATIONS

- Small exhaust systems where air is laden with dust or grit
- Supplying high pressure air for conveying and cooling

### ACCESSORIES / OPTIONS

- Custom coatings
- Inlet & discharge screens
- Weather proof motor cover
- Inlet & discharge flanges
- Factory mounted motors
- Spark resistant construction

MODEL	MTR HP	dBA @5'	AIRFLOW PERFORMANCE (CFM) AT 3500 RPM																
			0.25" SP	0.5" SP	1" SP	1.5" SP	2" SP	2.5" SP	3" SP	3.5" SP	4" SP	5" SP	6" SP	7" SP	8" SP	9" SP	10" SP	11" SP	12" SP
PRD-08	1/3	74	283	274	256	237	216	192	165	129	70	-	-	-	-	-	-	-	-
PRD-09	3/4	77	475	465	445	423	399	374	346	316	282	195	-	-	-	-	-	-	-
PRD-11	1 1/2	84	786	772	746	719	692	664	635	606	575	508	431	329	-	-	-	-	-
PRD-12	3	90	1185	1171	1145	1117	1090	1062	1033	1004	974	911	842	765	672	549	-	-	-
PRD-14	7 1/2	92	2100	2079	2037	1995	1952	1909	1866	1822	1777	1685	1587	1482	1367	1236	1081	874	474



MODEL	WHEEL SIZE	BORE SIZE	DIMENSIONS IN INCHES*														WT (lbs) LESS MTR	MTR FRAME	
			A	B	C	D	E	F	G	H	J	K	L	P	R	V			X
PRD-08	7 3/4 x 2 1/4	5/8	11.0	8.0	3.0	3.0	5.0	7.0	0.5	5.4	4.9	5.9	5.9	4.0	6.6	3.6	8.5	35	56
PRD-09	9 x 2 3/4	5/8	12.1	8.0	3.5	3.5	5.6	7.0	0.5	6.4	5.8	6.9	6.8	5.0	7.5	4.0	9.4	40	56
PRD-11	10 5/8 x 3	5/8	14.8	9.0	4.0	3.5	6.9	7.5	0.8	7.3	6.5	8.0	7.6	6.0	8.6	4.6	11.8	55	56
PRD-12	12 1/2 x 3	7/8	17.0	8.0	5.0	4.0	8.0	6.5	0.8	8.3	7.5	9.0	9.6	7.0	10.0	5.0	10.6	85	145T
PRD-14	13 1/2 x 4 3/8	1 1/8	17.6	11.3	7.1	5.8	8.0	9.6	1.0	10.5	9.6	11.4	11.0	8.0	11.5	4.4	12.6	140	184T

\*DO NOT USE FOR CONSTRUCTION

CONSULT FACTORY FOR CERTIFIED PRINTS

# IN-LINE FANS

## TID DIRECT DRIVE CENTRIFUGAL IN-LINE FANS

### FEATURES & BENEFITS

- Direct drive, non-overloading 'TEK' impeller
- Highly efficient airfoil (BCA) design
- Super quiet, highly efficient performance
- Rugged GRP (polyamide) impeller
- Baked polyester powder coat finish
- NEMA 4 junction box, pre-wired and mounted on fan
- Custom mounting arrangements available
- TEFC industrial duty motor
- Sizes range from 12" to 24"; capacities to 4,258 cfm



### APPLICATIONS

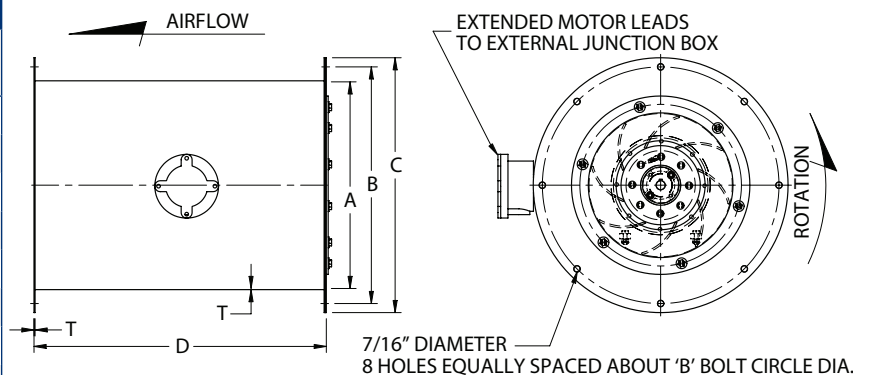
- Process ventilation
- Cabinet cooling
- General ventilation

### ACCESSORIES / OPTIONS

- Mounting feet
- Motor side guard
- Special duty motors
- Inspection door
- Impeller side guard

MODEL	PEAK HP	MTR HP	dBA @5'	AIRFLOW PERFORMANCE (CFM) AT 1740 RPM											
				0"SP	.25"SP	.5" SP	.75" SP	1" SP	1.25" SP	1.5" SP	1.75" SP	2" SP	2.5" SP	3" SP	
TID280	0.16	¼	62	1080	990	880	700	450	-	-	-	-	-	-	
TID315	0.34	½	67	1570	1460	1350	1210	1020	790	490	-	-	-	-	
TID355	0.65	¾	72	2160	2050	1940	1820	1670	1480	1240	940	-	-	-	
TID400	1.23	1½	73	2850	2750	2640	2530	2410	2270	2090	1840	1610	410	-	
TID450	1.82	2	74	4220	4070	3920	3760	3590	3400	3190	2900	2660	1900	590	
MODEL	PEAK HP	MTR HP	dBA @5'	AIRFLOW PERFORMANCE (CFM) AT 3450 RPM											
				0"SP	.5"SP	1" SP	1.5" SP	2" SP	2.5" SP	3" SP	3.5" SP	4" SP	5" SP	6" SP	
TID200	0.24	⅓	68	810	740	650	520	380	-	-	-	-	-	-	
TID225	0.44	½	73	1020	960	900	810	690	520	140	-	-	-	-	
TID250	0.66	¾	75	1530	1450	1360	1260	1120	960	790	510	-	-	-	
TID280	1.41	1½	77	2140	2060	1980	1870	1750	1590	1390	1140	850	-	-	
TID315	2.58	3	82	3130	3020	2910	2790	2660	2520	2360	2160	1990	1490	500	
TID355	4.98	5	86	4258	4146	4037	3928	3814	3692	3560	3412	3248	2857	2342	

MODEL	DIMENSIONS IN INCHES*					MAX MTR FRAME
	A	B	C	D	T	
TID200	12.2	13.8	15.0	18	0.075	56
TID225	14.2	16.3	17.5	20	0.075	143/5T
TID250	14.2	16.3	17.5	20	0.075	143/5T
TID280	16.2	18.0	19.5	21	0.075	143/5T
TID315	18.2	20.8	22.0	24	0.105	143/5T
TID355	21.2	23.3	24.5	26	0.105	182/4T
TID400	24.2	26.3	27.5	29	0.105	182/4T
TID450	24.2	26.3	27.5	29	0.105	182/4T



\*DO NOT USE FOR CONSTRUCTION  
CONSULT FACTORY FOR CERTIFIED PRINTS

## AID DIRECT DRIVE AXIAL IN-LINE FANS

### FEATURES & BENEFITS

- Spark resistant, cast aluminum airfoil axial impeller
- Superior performance and sound characteristics
- Factory set adjustable pitch impeller
- Baked polyester powder coat finish
- NEMA 4 junction box, pre-wired and mounted on fan
- TEFC industrial duty motor
- GRP (polypropylene) impeller available
- Fully reversible airflow option
- Custom mounting arrangements available
- Sizes range from 12" to 27"
- Capacities to 11,400 cfm

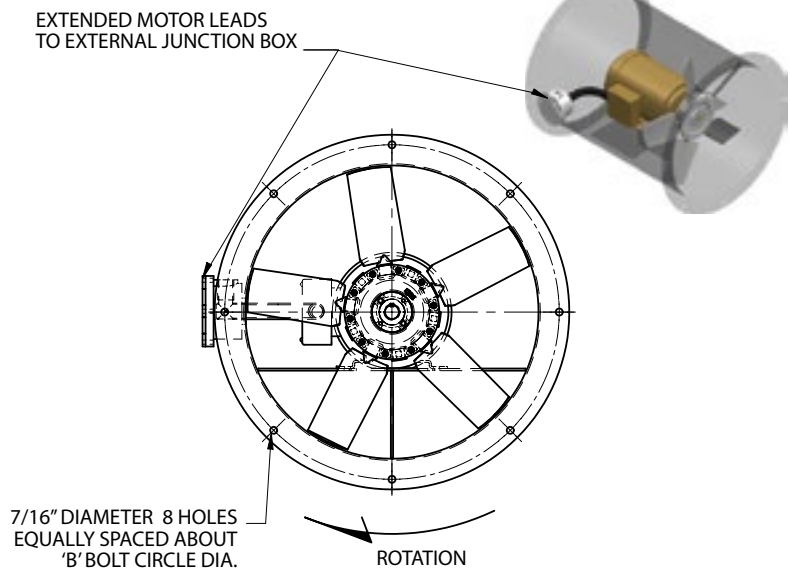
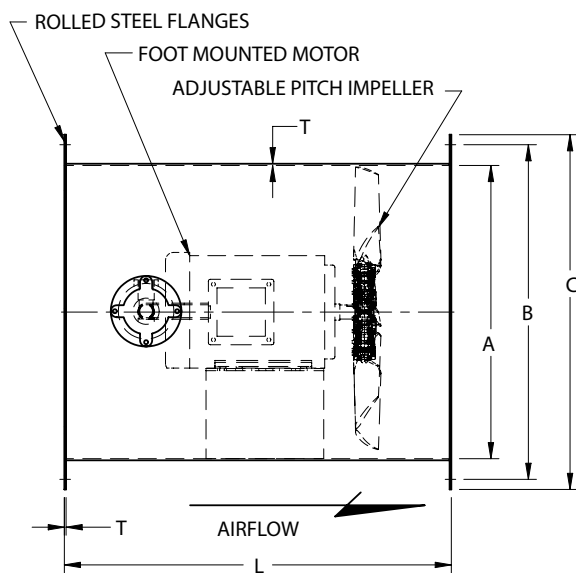


### APPLICATIONS

- Process ventilation
- Cabinet cooling
- OEM applications

### ACCESSORIES / OPTIONS

- Motor side guard
- Impeller side guard
- Mounting feet
- Horizontal mounting brackets
- Explosion proof & special duty motors
- AMCA spark resistant construction - consult factory



DIMENSIONS IN INCHES*						
MODEL	A	B	C	L	T	MAX MTR FRAME
AID-12	12.2	13.8	15.0	18.0	0.075	56
AID-14	14.2	16.3	17.5	20.0	0.075	143/5T
AID-16	16.2	18.0	19.5	21.0	0.075	143/5T
AID-18	18.2	20.8	22.0	24.0	0.105	143/5T
AID-21	21.2	23.3	24.5	26.0	0.105	182/4T
AID-24	24.2	26.3	27.5	29.0	0.105	182/4T
AID-27	27.2	29.3	31.0	29.0	0.105	182/4T

AIRFLOW PERFORMANCE (CFM)		
MODEL	MINIMUM	MAXIMUM
AID-12	500	2,600
AID-14	800	4,200
AID-16	900	5,600
AID-18	1,600	6,800
AID-21	1,600	7,000
AID-24	2,800	9,000
AID-27	3,400	11,400

\*DO NOT USE FOR CONSTRUCTION

CONSULT FACTORY FOR CERTIFIED PRINTS

# IN-LINE FANS

## AIB BELT DRIVE TUBEAXIAL FANS

### FEATURES & BENEFITS

- Spark resistant, cast aluminum airfoil axial impeller
- Heavy duty welded steel and angle ring construction
- Baked polyester powder coat finish
- Mountable in ductwork in any position
- Factory set adjustable pitch impeller
- TEFC industrial duty motor located outside of air stream
- Self-aligning pillow block ball bearings
- V-belt drives for low speed operation
- Belt tube to protect sheaves and belts from air stream
- Extended lube lines
- Shaft seal & water slinger

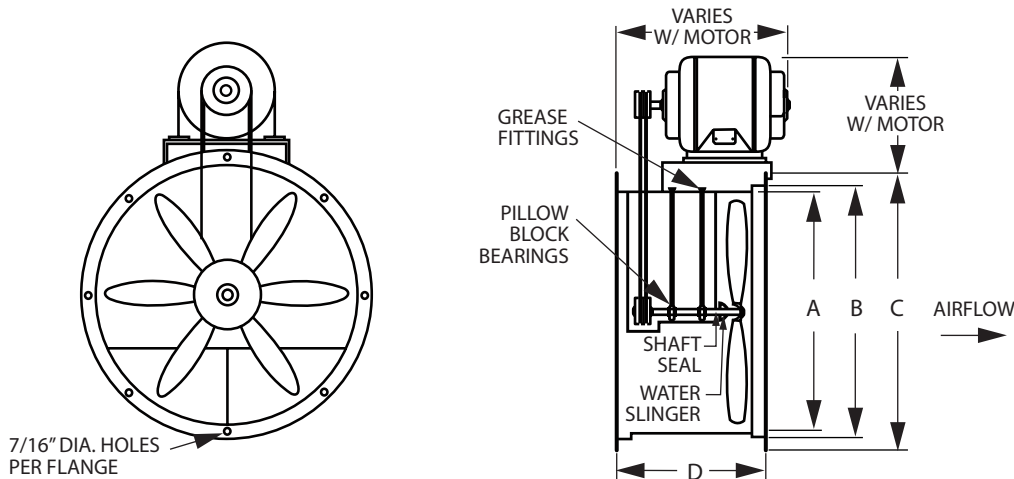


### APPLICATIONS

- Process ventilation
- General ventilation
- In-line duct booster
- Moisture laden air
- Removal of process related fumes, dust and smoke
- Contaminated air streams

### ACCESSORIES / OPTIONS

- Horizontal mounting brackets
- Vertical mounting brackets
- Mounting legs
- Companion flanges
- Variable pitch sheaves
- Impeller side guard
- Motor side guard
- Inspection door
- Reverse flow construction
- Motor cover and/or belt guard
- 304 or 316 stainless steel construction
- Maximum 375 F construction
- Explosion proof & special duty motors
- Baked epoxy powder coat finish, two layers
- AMCA spark resistant construction - consult factory



MODEL	DIMENSIONS IN INCHES*				WT (lbs) LESS MTR	MAX MTR FRAME
	A	B	C	D		
AIB-12	12	13.1	14	18	50	143T
AIB-15	15	16.1	17	18	65	143T
AIB-18	18	19.1	20	18	80	145T
AIB-24	24	25.8	27	18	100	184T
AIB-27	27	28.8	30	18	115	184T
AIB-30	30	31.8	33	18	125	184T
AIB-34	34	35.8	37	18	150	184T
AIB-36	36	37.9	39	18	195	215T
AIB-42	42	43.6	45	22	280	215T
AIB-48	48	49.6	51	24	345	215T
AIB-54	54	55.6	57	28	430	215T
AIB-60	60	61.6	63	30	540	215T

MODEL	AIRFLOW PERFORMANCE (CFM)	
	MINIMUM	MAXIMUM
AIB-12	600	2,044
AIB-15	1,000	4,250
AIB-18	1,500	5,350
AIB-24	1,775	11,400
AIB-27	2,000	13,480
AIB-30	3,500	16,440
AIB-34	6,700	20,500
AIB-36	9,500	22,500
AIB-42	9,950	33,300
AIB-48	13,900	41,200
AIB-54	18,000	45,000
AIB-60	20,000	54,000

\*DO NOT USE FOR CONSTRUCTION

CONSULT FACTORY FOR CERTIFIED PRINTS

## AXC IN-LINE DUCT FANS

### FEATURES & BENEFITS

- Heavy gauge, drawn steel housing with baked epoxy finish
- 120V operation, other voltages available
- Easy to install - mounting brackets included
- May be mounted in any position
- Fans may be used to supply or exhaust air
- Suitable for air temperatures up to 140 F / 60 C
- Energy efficient - speed controllable (optional solid state speed control)
- Optional pre-wired with 120V power cord (AXC-C)
- Exceptionally quiet and efficient BC centrifugal motorized impeller
- External rotor motor design results in superior motor cooling and durability
- Permanently lubricated ball bearing motor for maintenance-free operation
- Automatic reset thermal overload protection
- Fan and motor are precision balanced for quiet and vibration-free operation
- Easily accessible, external junction box with pre-wired capacitor
- Available to fit duct sizes 4" - 12"; airflow capacities to 970 cfm



### APPLICATIONS

- Conference room exhaust
- Computer rooms
- Powered make-up air
- Hair and nail salons
- Equipment and spot cooling
- Humidity and moisture removal

### ACCESSORIES / OPTIONS

- Speed controls
- Pressure switches
- Backdraft dampers
- Supply & exhaust grilles
- Mounting clamps
- Roof & wall caps

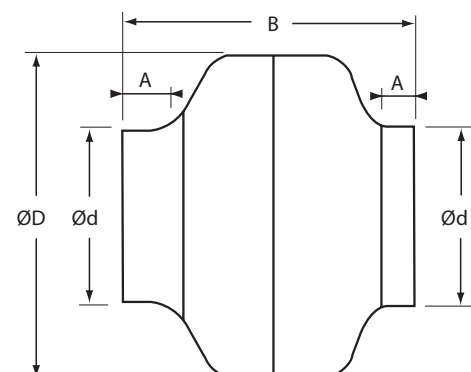
MODEL	WATTS	RPM	AIRFLOW PERFORMANCE (CFM)								
			0" SP	0.2" SP	0.4" SP	0.6" SP	0.8" SP	1.0" SP	1.2" SP	1.5" SP	2.0" SP
AXC100A-ES	43.3	2580	147	130	107	82	57	34	11	-	-
AXC100B	83.4	2620	150	140	127	112	94	74	53	23	-
AXC125A-ES	44.4	2520	179	150	121	87	49	14	-	-	-
AXC125B	85.4	2750	183	160	141	122	101	77	51	14	-
AXC150A-ES	46.8	2390	235	190	148	97	44	-	-	-	-
AXC150B-ES	89.2	2450	308	260	216	175	139	108	81	47	-
AXC200A-ES	84.5	2500	368	300	234	184	149	114	70	-	-
AXC200B-ES	188	2550	579	520	453	387	329	282	245	206	154
AXC250-ES	198	2470	616	550	488	431	379	330	286	227	143
AXC300A-ES	206	2450	780	700	595	420	330	290	255	210	132
AXC300B-ES	312	2780	970	910	803	680	559	453	367	273	164

FOR PRE-WIRED WITH 120V POWER CORD, ADD -C TO MODEL.

MODEL	DIMENSIONS IN INCHES*				SHIP WT (lbs)
	D	d	A	B	
AXC100A-ES	9.5	3.9	1.0	8.3	7.5
AXC100B	9.5	3.9	1.0	8.3	8.0
AXC125A-ES	9.5	4.8	1.0	8.3	7.5
AXC125B	9.5	4.8	1.0	8.3	7.5
AXC150A-ES	9.5	5.8	1.0	8.3	7.5
AXC150B-ES	13.2	5.8	1.0	9.1	12.5
AXC200A-ES	13.2	7.8	1.0	9.1	12.0
AXC200B-ES	13.2	7.8	1.0	9.1	15.0
AXC250-ES	13.2	9.8	1.0	9.1	15.0
AXC300A-ES	15.9	11.8	1.2	11.8	18.0
AXC300B-ES	15.9	11.8	1.2	11.8	18.0

\*DO NOT USE FOR CONSTRUCTION

CONSULT FACTORY FOR CERTIFIED PRINTS



# DAMPERS

## IRIS DAMPERS

### FEATURES & BENEFITS

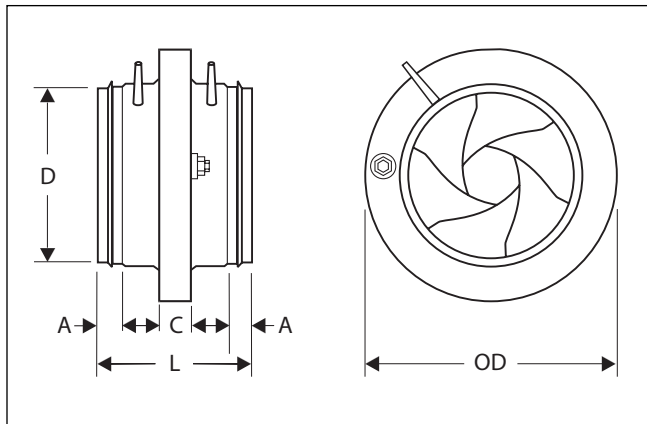
- Precise airflow measurement, reduced field labor time
- Single station measurement and control
- Accurate air balancing to +/- 5% in straight duct
- Compact design, superior performance
- Fitted EPDM gasket for airtight mounting
- Fully retractable blades for duct cleaning
- Ideal for office buildings, pharmaceuticals, clean rooms & laboratories
- Available in 4" to 32" sizes; capacities to 20,000 cfm
- Max operating temperature:
  - 180 F continuous
  - 250 F intermittent

### IRIS DAMPER

- Hot dipped galvanized steel construction

### POSITIVE SEAL CONSTRUCTION (OPTIONAL)

Some applications may require a fully closed damper. For those requiring a 100% shutoff, a positive seal option is available on sizes 4" through 12", in both galvanized and stainless steel IRIS dampers.

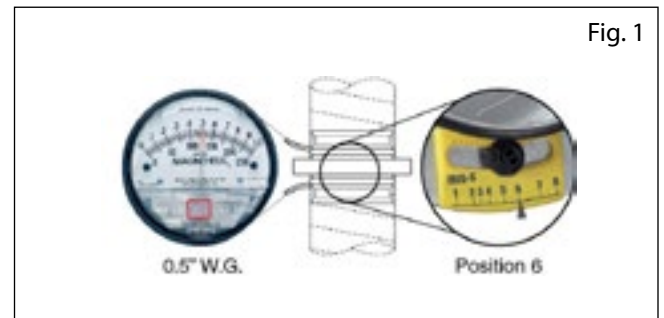


### IRIS-S DAMPER

- AISI 316 stainless steel construction
- Prolonged excellence in extreme conditions
- Ideal for corrosive environments

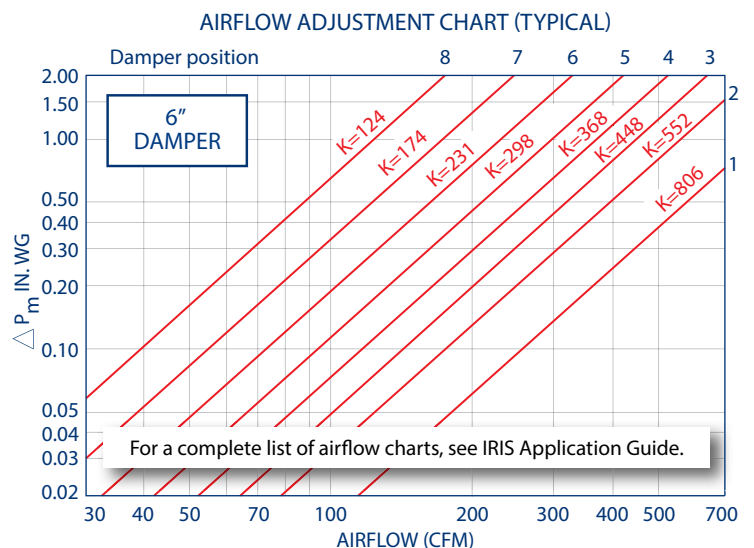
### SIMPLE OPERATION

Using a pressure gauge and a damper's Airflow Adjustment Chart, desired airflow in a duct can be attained by simply turning the damper adjustment nut until the required pressure drop is reached (Fig. 1).



MODEL	DIMENSIONS IN INCHES*					WT (lbs)
	A	C	D	L	OD	
IRIS-04, IRIS-S-04	1.2	0.6	3.9	4.6	6.5	1.1
IRIS-05, IRIS-S-05	1.2	0.6	4.9	4.6	7.4	1.5
IRIS-06, IRIS-S-06	1.2	0.6	5.9	4.6	9.1	2.0
IRIS-08, IRIS-S-08	1.2	0.6	7.8	4.6	11.2	3.1
IRIS-10, IRIS-S-10	1.6	0.7	9.8	5.3	13.2	4.6
IRIS-12, IRIS-S-12	1.6	0.7	11.8	6.1	16.1	7.7
IRIS-16, IRIS-S-16	2.4	0.8	15.7	7.5	20.7	14.1
IRIS-20, IRIS-S-20	2.0	0.8	19.6	6.7	25.8	21.2
IRIS-25, IRIS-S-25	2.0	0.9	24.7	6.7	32.1	34.4
IRIS-32, IRIS-S-32	3.9	0.9	31.4	10.6	40.0	55.1

\*DO NOT USE FOR CONSTRUCTION  
CONSULT FACTORY FOR CERTIFIED PRINTS



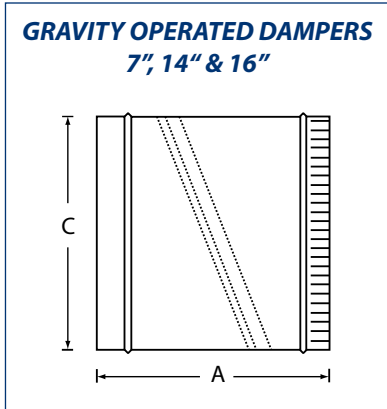
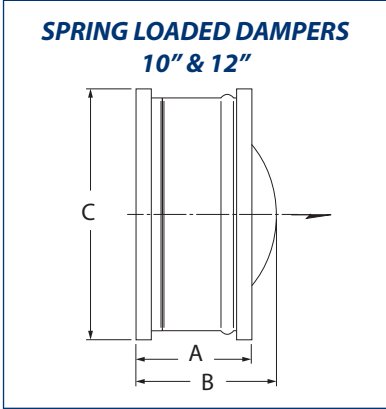
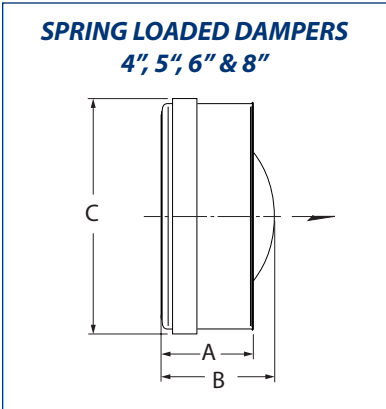
## BDD BACKDRAFT DAMPERS

### SPRING LOADED DAMPERS

- Neoprene damper seal to minimize air leakage
- Steel housing, aluminum butterfly damper blades
- Gasket designed to withstand temperatures from -22 F to 180 F
- Requires from 0.04 to 0.08 in. wg pressure to open
- Simple installation in any position - entire assembly inserts into duct
- Exterior foam gasket assures a tight seal against duct
- 4", 5", 6" & 8" sizes include stamped metal sleeve with center pin / post designs
- 10" & 12" sizes include rolled metal sleeve with center post design

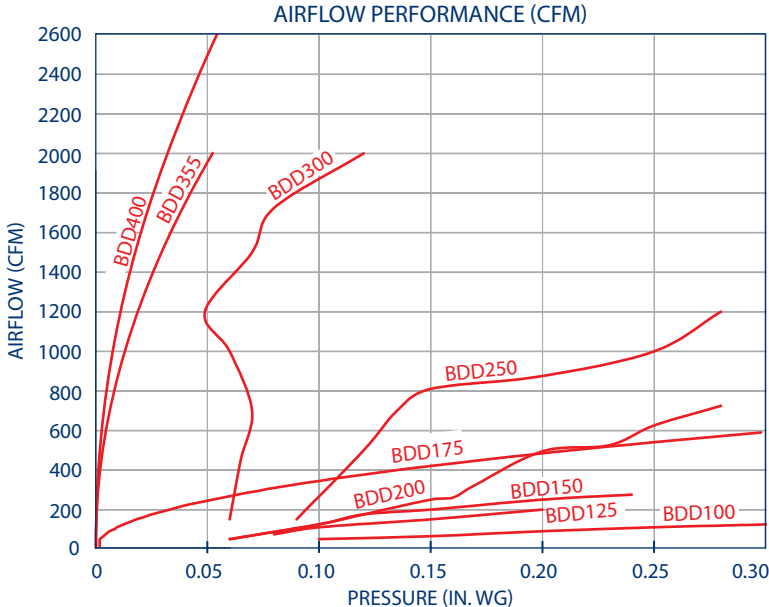
### GRAVITY OPERATED DAMPERS

- Low air leakage design
- Galvanized steel housing, aluminum butterfly damper blades
- Gravity operated closure
- Install in horizontal or vertical (upblast only) position
- Suitable for supply or exhaust applications
- Available in 7", 14" & 16" sizes



MODEL	DIMENSIONS IN INCHES*			GAUGE
	A	B	C (Nominal)	
<b>SPRING LOADED DAMPERS</b>				
BDD100	1.8	2.0	4	20
BDD125	2.0	2.5	5	20
BDD150	2.5	3.0	6	20
BDD200	2.8	3.8	8	20
BDD250	4.8	6.0	10	20
BDD300	6.3	6.8	12	20
<b>GRAVITY OPERATED DAMPERS</b>				
BDD175	7.0	-	7	28
BDD355	12.0	-	14	24
BDD400	14.0	-	16	22

\*DO NOT USE FOR CONSTRUCTION  
CONSULT FACTORY FOR CERTIFIED PRINTS



# CONTROLS

## SCN SINGLE PHASE AC CONTROLS

### FEATURES & BENEFITS

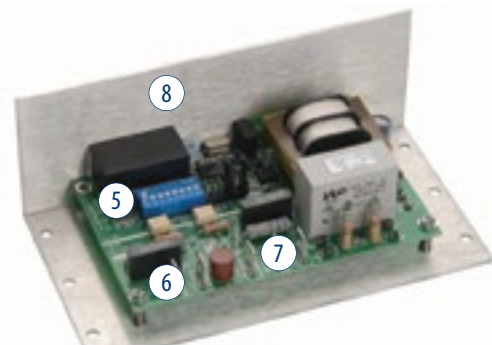
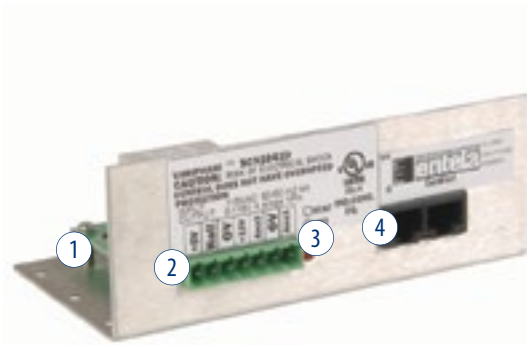
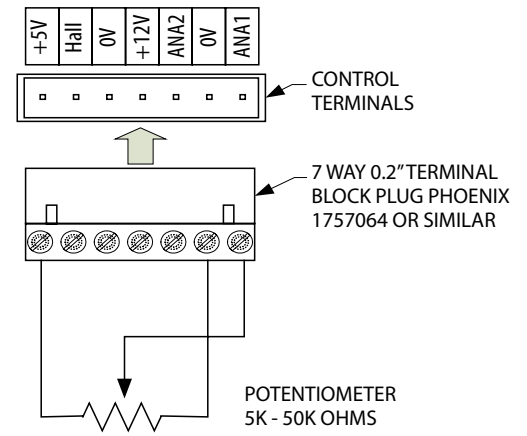
- Pre-configured to run with supplied potentiometer
- Pre-configured with soft start feature enabled
- Network compatible
- Adjustable minimum speed setting
- Closed loop control capable (temperature, pressure, etc.)

### APPLICATIONS

- Motorized impeller controls
- Motorized axial fan controls



PERFORMANCE		
MODEL	VOLTAGE	AMPS
SCN1041D	115	4
SCN1042D	230	4
SCN1081D	115	8
SCN1082D	230	8
SCN1141D	115	14
SCN1142D	230	14
SCN1201D	115	20
SCN1202D	230	20



- |                      |                        |                              |                      |
|----------------------|------------------------|------------------------------|----------------------|
| 1. L-bracket         | 3. LED indicators      | 5. Address switches          | 7. Option jumpers    |
| 2. Control terminals | 4. RS485 network ports | 6. Power & motor connections | 8. Minimum speed pot |



## VFD THREE PHASE AC CONTROLS

### FEATURES & BENEFITS

- Integrated potentiometer
- Adjustable maximum & minimum speed setting
- Preset up to 15 speeds
- Network compatible
- EMI filter standard
- Temperature & pressure closed loop control capable
- Analog and digital input control
- RS-485 communication
- Single or three phase input power
- Password protection



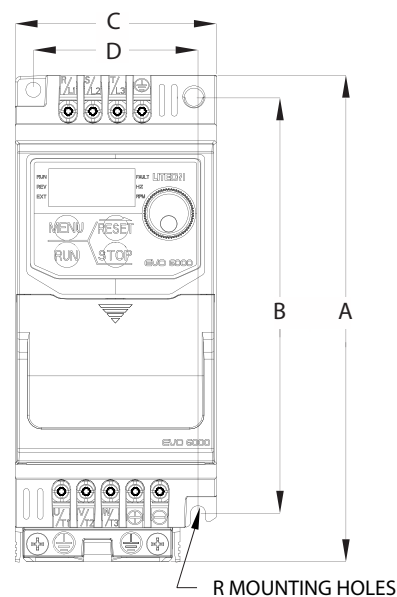
### APPLICATIONS

- Motorized impeller controls
- Motorized axial fan controls
- NEMA/IEC motor controls

### ACCESSORIES / OPTIONS

- Remote keypad
- Din mounting rail kit
- Grounding ring (NEMA & IEC motors only)

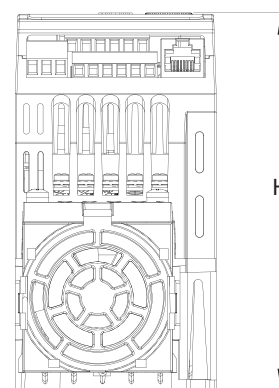
PERFORMANCE				
MODEL	INPUT VOLTAGE - PHASE	OUTPUT		
		VOLTAGE - PHASE	AMPS	HP
VFD-0214-21-A	230V - 1	230V - 3	1.6	¼
VFD-0412-21-A	230V - 1	230V - 3	2.5	½
VFD-0701-21-A	230V - 1	230V - 3	4.2	1
VFD-1502-21-B	230V - 1	230V - 3	7.5	2
VFD-2203-21-B	230V - 1	230V - 3	11	3
VFD-0214-23-A	230V - 3	230V - 3	1.6	¼
VFD-0412-23-A	230V - 3	230V - 3	2.5	½
VFD-0701-23-A	230V - 3	230V - 3	4.2	1
VFD-1502-23-A	230V - 3	230V - 3	7.5	2
VFD-2203-23-B	230V - 3	230V - 3	11	3
VFD-3705-23-B	230V - 3	230V - 3	17	5
VFD-0412-43-A	460V - 3	460V - 3	1.5	½
VFD-0701-43-A	460V - 3	460V - 3	2.5	1
VFD-1502-43-A	460V - 3	460V - 3	4.2	2
VFD-2203-43-B	460V - 3	460V - 3	5.5	3
VFD-3705-43-B	460V - 3	460V - 3	8.2	5

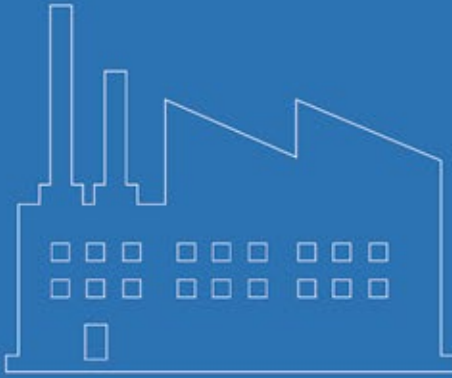


MODEL	DIMENSIONS IN INCHES*					
	A	B	C	D	H	R
VFD-XXXX-XX-A	6.9	6.0	2.8	2.3	5.3	0.2
VFD-XXXX-XX-B	6.9	6.4	3.9	3.5	5.3	0.2

\*'X' DENOTES DIGIT IN MODEL NUMBER

\*DO NOT USE FOR CONSTRUCTION  
CONSULT FACTORY FOR CERTIFIED PRINTS





***Industrial Fans  
& Blowers***



***OEM Solutions  
& Custom Fans***



***Commercial Fans  
& Dampers***



***Residential Fans &  
Air Purifiers***



**OEM Solutions & Custom Fans**

Continental Fan Manufacturing Inc.  
Buffalo, NY ~ Dayton, OH

Continental Fan Canada Inc.  
Mississauga, ON

continentalfan.com  
1-800-779-4021

