

CENTRIFUGAL FANS & BLOWERS

TCD BC AIRFOIL BLOWERS

FEATURES & BENEFITS

- Direct drive, non-overloading 'TEK' impeller
- Highly efficient airfoil (BCA) design
- Epoxy coated steel housing
- Flanged and drilled outlet, ABS inlet cone
- Rugged GRP (polyamide) impeller
- Single or three phase TEFC motors
- CW rotation; rotatable to 5 positions
- Capacities to 4,500 cfm



ACCESSORIES / OPTIONS

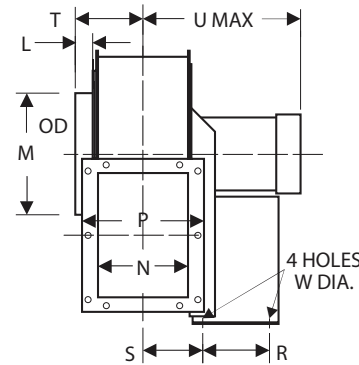
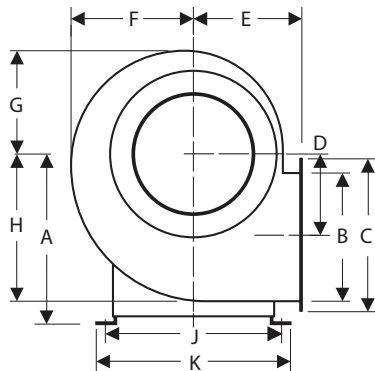
- Backdraft damper
- Weather hood
- Gravity shutter
- Inlet flanges & guards
- Shaft seal
- Drain w/plug
- Special duty motors
- CCW rotation

AIRFLOW PERFORMANCE (CFM) AT 1750 RPM

MODEL	MTR HP	dBA @5'	0" SP		.5" SP		1" SP		1.5" SP		2" SP		2.5" SP		3" SP		3.5" SP	
			CFM	BHP	CFM	BHP	CFM	BHP	CFM	BHP	CFM	BHP	CFM	BHP	CFM	BHP	CFM	BHP
TCD250	¼	58	840	0.08	670	0.09	440	0.08	-	-	-	-	-	-	-	-	-	-
TCD280	¼	62	1130	0.18	1030	0.18	770	0.18	350	0.16	-	-	-	-	-	-	-	-
TCD315	½	67	1650	0.33	1480	0.33	1290	0.34	1010	0.33	570	0.28	-	-	-	-	-	-
TCD355	¾	72	2320	0.63	2110	0.64	1900	0.65	1630	0.64	1300	0.63	720	0.57	-	-	-	-
TCD400	1½	73	3070	1.20	2880	1.21	2650	1.22	2410	1.23	2140	1.22	1790	1.21	1240	1.17	-	-
TCD450	2	74	4490	1.75	4320	1.77	4080	1.80	3780	1.81	3460	1.82	3080	1.80	2660	1.77	2160	1.69

AIRFLOW PERFORMANCE (CFM) AT 3450 RPM

MODEL	MTR HP	dBA @5'	0" SP		1" SP		2" SP		3" SP		4" SP		5" SP		6" SP		7" SP	
			CFM	BHP	CFM	BHP	CFM	BHP	CFM	BHP	CFM	BHP	CFM	BHP	CFM	BHP	CFM	BHP
TCD200	⅓	68	870	0.24	700	0.24	500	0.21	275	0.17	-	-	-	-	-	-	-	-
TCD225	½	73	1060	0.42	950	0.43	780	0.44	580	0.42	-	-	-	-	-	-	-	-
TCD250	¾	75	1625	0.64	1520	0.65	1320	0.66	1110	0.66	870	0.64	440	0.53	-	-	-	-
TCD280	1½	77	2220	1.35	2170	1.37	2000	1.39	1760	1.41	1480	1.40	1150	1.34	560	1.13	-	-
TCD315	3	82	3330	2.48	3160	2.52	2960	2.53	2740	2.55	2500	2.57	2230	2.58	1910	2.53	1480	2.34
TCD355	5	86	4574	4.83	4412	4.75	4324	4.83	4180	4.67	4060	4.67	3553	4.60	3230	4.53	2850	4.37



DIMENSIONS IN INCHES*

MODEL	A	B	C	D	E	F	G	H	J	K	L	M	N	P	R	S	T	U MAX	W	WT (lbs) LESS MTR
TCD200	10.5	7.1	9.5	4.7	6.8	7.2	6.1	8.6	11.5	13.0	1.5	7.0	5.3	7.7	5.5	3.7	4.3	11.1	0.5	43
TCD225	11.5	7.9	10.2	5.6	7.5	8.3	6.9	9.9	12.5	14.0	1.5	8.0	6.1	8.5	5.5	4.1	4.7	12.9	0.5	51
TCD250	12.5	8.7	11.0	6.4	8.2	9.1	7.6	11.1	13.5	15.0	1.5	9.0	6.9	9.3	5.5	4.5	5.1	13.3	0.5	56
TCD280	14.0	10.2	12.6	6.7	8.9	10.1	8.5	12.2	14.5	16.0	1.5	10.0	7.7	10.0	8.0	4.9	5.5	13.7	0.5	69
TCD315	15.5	11.8	14.2	7.6	9.8	11.3	9.6	13.8	17.5	19.5	2.0	12.0	8.5	10.8	10.0	5.6	6.6	16.1	0.6	114
TCD355	17.5	13.4	15.8	8.4	10.7	12.6	10.6	15.4	19.0	21.0	2.0	14.0	9.5	11.8	12.0	6.1	7.1	14.6	0.6	120
TCD400	19.5	15.2	18.3	9.3	11.8	14.1	11.9	17.2	21.0	23.0	2.0	16.0	10.6	13.8	12.0	6.7	7.7	15.7	0.6	147
TCD450	21.5	16.9	20.1	10.5	13.2	16.0	13.3	19.3	23.0	25.0	2.0	18.0	11.8	15.0	12.0	7.3	8.3	17.8	0.6	181

*DO NOT USE FOR CONSTRUCTION

CONSULT FACTORY FOR CERTIFIED PRINTS

TFD FLANGE MOUNT BLOWERS

FEATURES & BENEFITS

- Direct drive, non-overloading 'TEK' impeller
- Highly efficient airfoil (BCA) design
- Epoxy coated steel housing
- Flanged and drilled outlet, ABS inlet cone
- Rugged GRP (polyamide) airfoil impeller
- Single or three phase TEFC motors
- CW rotation rotatable to any position
- Capacities to 4,500 cfm

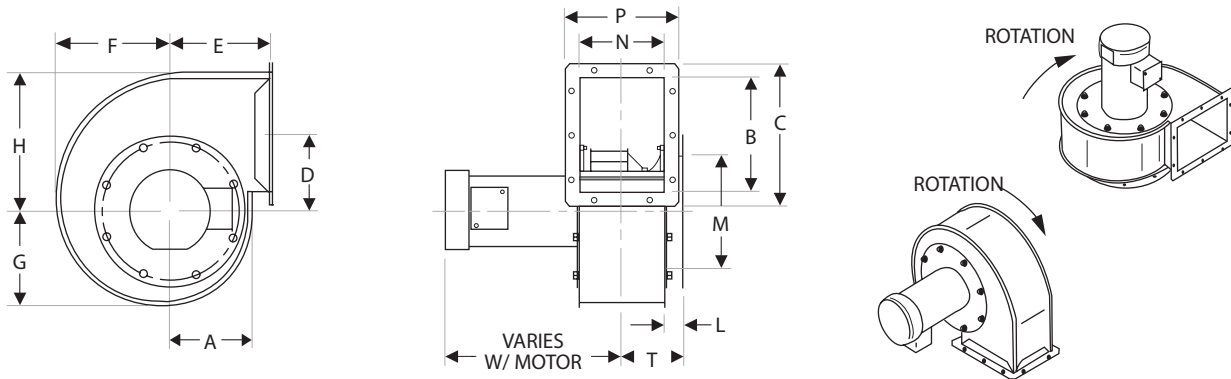


ACCESSORIES / OPTIONS

- Inlet filter
- Inlet flanges & guards
- Open or explosion proof motors
- Gravity shutter
- Shaft seal
- CCW rotation

AIRFLOW PERFORMANCE (CFM) AT 1750 RPM																		
MODEL	MTR HP	dBA @5'	0" SP		.5" SP		1" SP		1.5" SP		2" SP		2.5" SP		3" SP		3.5" SP	
			CFM	BHP	CFM	BHP	CFM	BHP	CFM	BHP	CFM	BHP	CFM	BHP	CFM	BHP	CFM	BHP
TFD250	¼	58	840	0.1	670	0.1	440	0.1	-	-	-	-	-	-	-	-	-	-
TFD280	¼	62	1130	0.2	1030	0.2	770	0.2	350	0.2	-	-	-	-	-	-	-	-
TFD315	½	67	1650	0.3	1480	0.3	1290	0.3	1010	0.3	570	0.3	-	-	-	-	-	-
TFD355	¾	72	2320	0.6	2110	0.6	1900	0.7	1630	0.6	1300	0.6	720	0.6	-	-	-	-
TFD400	1½	73	3070	1.2	2880	1.2	2650	1.2	2410	1.2	2140	1.2	1790	1.2	1240	1.2	-	-
TFD450	2	74	4490	1.8	4320	1.8	4080	1.8	3780	1.8	3460	1.8	3080	1.8	2660	1.8	2160	1.7

AIRFLOW PERFORMANCE (CFM) AT 3450 RPM																		
MODEL	MTR HP	dBA @5'	0" SP		1" SP		2" SP		3" SP		4" SP		5" SP		6" SP		7" SP	
			CFM	BHP	CFM	BHP	CFM	BHP	CFM	BHP	CFM	BHP	CFM	BHP	CFM	BHP	CFM	BHP
TFD200	¼	68	870	0.2	700	0.2	500	0.2	275	0.2	-	-	-	-	-	-	-	-
TFD225	½	73	1060	0.4	950	0.4	780	0.4	580	0.4	-	-	-	-	-	-	-	-
TFD250	¾	75	1625	0.6	1520	0.7	1320	0.7	1110	0.7	870	0.6	440	0.5	-	-	-	-
TFD280	1½	77	2220	1.4	2170	1.4	2000	1.4	1760	1.4	1480	1.4	1150	1.3	560	1.1	-	-
TFD315	3	82	3330	2.5	3160	2.5	2960	2.5	2740	2.6	2500	2.6	2230	2.6	1910	2.5	1480	2.3



DIMENSIONS IN INCHES*													
MODEL	A	B	C	D	E	F	G	H	L	M	N	P	T
TFD200	5.4	6.9	9.5	4.9	6.8	7.3	6.1	8.8	1.6	7.0	5.2	7.7	4.3
TFD225	6.0	7.7	10.2	5.6	7.5	8.2	6.8	9.9	1.6	8.0	5.9	8.5	4.7
TFD250	6.6	8.7	11.0	6.1	8.2	9.0	7.5	10.9	1.7	9.0	6.9	9.3	5.2
TFD280	7.4	10.1	12.6	6.8	8.9	10.1	8.4	12.2	1.7	10.0	7.5	10.0	5.5
TFD315	8.2	11.7	14.2	7.5	9.8	11.3	9.3	13.7	2.2	12.0	8.3	10.8	6.4
TFD355	9.2	13.3	15.8	8.4	10.7	12.7	10.5	15.4	2.2	14.0	9.3	11.8	6.9
TFD400	10.4	15.1	18.3	9.2	11.8	14.1	11.8	17.1	2.2	16.0	10.4	13.8	7.5
TFD450	11.7	16.8	20.1	10.6	13.2	15.9	13.1	19.3	2.2	18.0	11.5	15.0	8.1

*DO NOT USE FOR CONSTRUCTION

CONSULT FACTORY FOR CERTIFIED PRINTS

CENTRIFUGAL FANS & BLOWERS

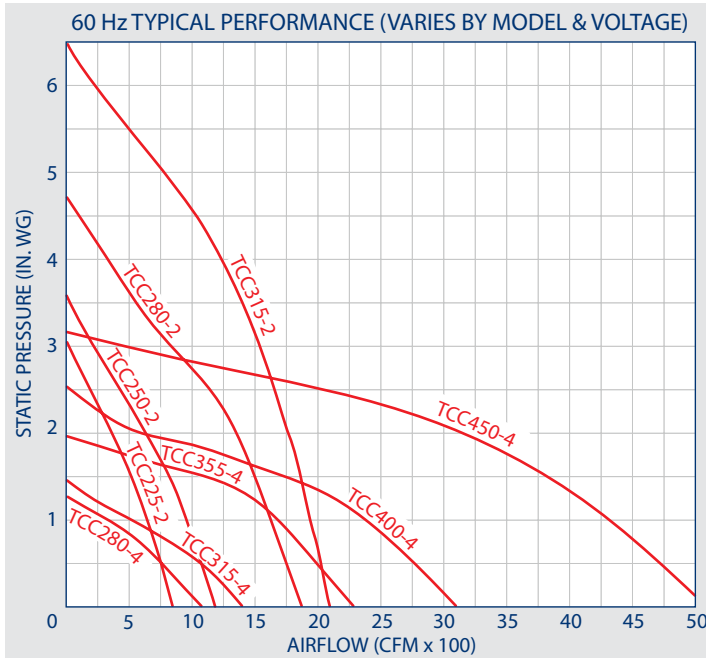
TCC MOTORIZED BLOWERS

FEATURES & BENEFITS

- Speed controllable external rotor motor
- High efficiency BC airfoil polyamide impeller
- Epoxy coated steel housing
- Flanged and drilled outlet, ABS inlet cone
- Available in single or three phase voltages
- Capacities: 500 cfm to 5,000 cfm
- cULus and CE approved motor

ACCESSORIES / OPTIONS

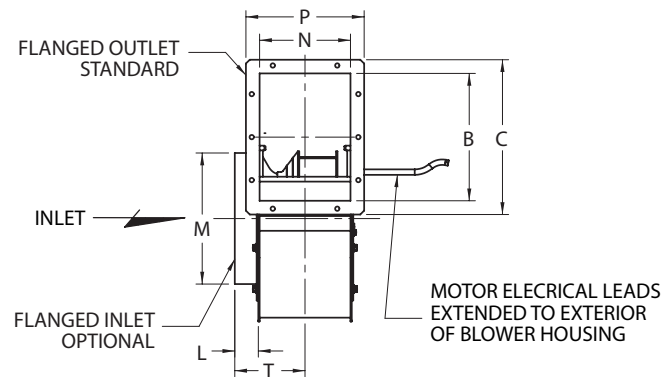
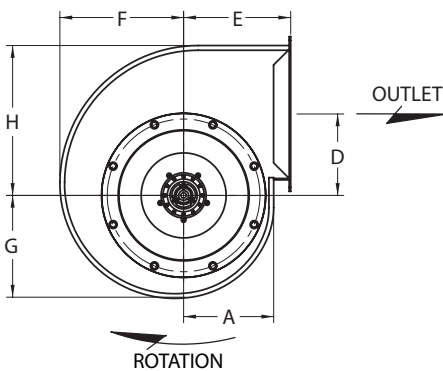
- Inlet flange
- Blower damper
- Aluminum shaft seal
- Weather hood



115V - 1 PHASE						60 Hz PERFORMANCE		
PART NUMBER	MOTOR	CFM	RPM	WATTS	AMPS	TEMP. RANGE		CAPACITOR
						MIN	MAX	
TCC225-2-11	ED080	830	2780	410	3.0	-22	131	20 x 400V
TCC250-2-11	ED106	1190	2810	610	4.9	-22	104	40 x 400V
TCC280-2-11	ED106	1760	3010	1200	10.2	-22	104	60 x 400V
TCC280-4-11	ED080	1070	1520	180	1.6	-22	158	12 x 400V
TCC315-4-11	ED080	1400	1450	290	2.6	-22	104	16 x 400V
TCC355-4-11	ED106	2280	1610	600	5.4	-22	122	40 x 400V
TCC400-4-11	ED106	3090	1350	800	7.0	-22	140	50 x 400V
TCC450-4-11	ED137	5060	1510	1700	15.2	-22	122	100 x 400V

230V - 1 PHASE						60 Hz PERFORMANCE		
PART NUMBER	MOTOR	CFM	RPM	WATTS	AMPS	TEMP. RANGE		CAPACITOR
						MIN	MAX	
TCC225-2-12	ED080	830	2780	410	1.5	-22	131	6 x 400V
TCC250-2-12	ED106	1190	2810	610	2.5	-22	104	10 x 400V
TCC280-2-12	ED106	1760	3010	1200	5.1	-22	104	16 x 400V
TCC280-4-12	ED080	1070	1520	180	0.8	-22	158	3 x 400V
TCC315-2-12	ED137	2120	3250	2420	9.7	-22	104	35 x 400V
TCC315-4-12	ED080	1400	1450	290	1.3	-22	104	4 x 400V
TCC355-4-12	ED106	2280	1610	600	2.7	-22	122	10 x 400V
TCC400-4-12	ED106	3090	1350	800	3.5	-22	140	12 x 400V
TCC450-4-12	ED137	5060	1510	1700	7.6	-22	122	25 x 400V

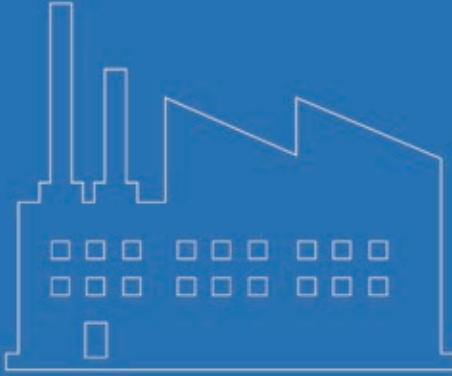
FOR 3 PHASE MODELS AND 50 HZ OPERATION - CONSULT FACTORY.



MODEL	DIMENSIONS IN INCHES*												
	A	B	C	D	E	F	G	H	L	M	N	P	T
TCC225	6.0	7.7	10.2	5.6	7.5	8.2	6.8	9.9	1.8	8	5.9	8.5	5.0
TCC250	6.6	8.7	11.0	6.1	8.2	9.0	7.5	10.9	1.9	9	6.9	9.3	5.5
TCC280	7.4	10.1	12.6	6.8	8.9	10.1	8.4	12.2	1.9	10	7.5	10.0	5.7
TCC315	8.3	11.7	14.2	7.5	9.8	11.3	9.4	13.7	2.4	12	8.3	10.8	6.7
TCC355	9.2	13.3	15.8	8.4	10.7	12.7	10.5	15.4	2.4	14	9.3	11.8	7.2
TCC400	10.4	15.1	18.3	9.3	11.8	14.1	11.8	17.2	2.4	16	10.4	13.8	7.9
TCC450	11.7	16.8	20.1	10.6	13.2	15.9	13.1	19.3	2.5	18	11.5	15.0	8.3

*DO NOT USE FOR CONSTRUCTION

CONSULT FACTORY FOR CERTIFIED PRINTS



***Industrial Fans
& Blowers***



***OEM Solutions
& Custom Fans***



***Commercial Fans
& Dampers***



***Residential Fans &
Air Purifiers***



Industrial Fans & Blowers

Continental Fan Manufacturing Inc.
Buffalo, NY ~ Dayton, OH

Continental Fan Canada Inc.
Mississauga, ON

continentalfan.com
1-800-779-4021

Distributed by:

