

TF100-EC TRANQUIL BATHROOM FAN



With its high efficiency EC motor, the TF100-EC Tranquil Bathroom Fan offers whisper-quiet exhaust with sones ranging from 0.3 to 1.0. Toggle-switch positioning determines the maximum desired airflow rate, ranging from 50 to 100 cfm.

Features & Benefits

- Totally enclosed brushless electronically commutated (EC) motor
- Efficient operation at two configurable airflow levels
- Whisper-quiet sones as low as 0.3
- Low profile grille with plug & play motion sensor
- Built-in humidity sensor and time delay
- Toggle-switch selection for maximum desired airflow
- Maximum airflow ranging from 50 to 100 cfm
- Continuous low airflow operation, adjustable from 30 cfm to maximum or OFF
- Corrosion resistant 26 GA galvanized steel housing
- Removable blower assembly
- Non-metallic collar with built-in backdraft damper
- Permanently lubricated motor for continuous operation
- Automatic reset thermal overload protection
- Fits 4" duct
- ETL listed for use over a tub/shower enclosure with GFCI circuit
- HVI and ENERGY STAR® certified

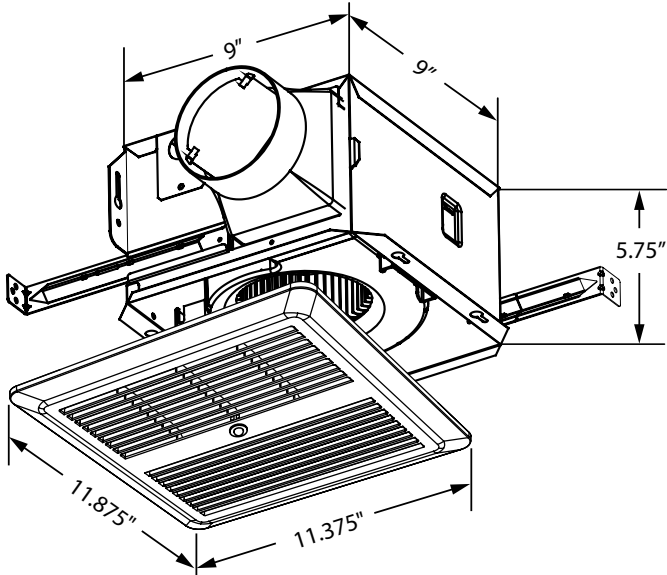
Accessories & Controls ~ pages 24-25

The versatile TF100-EC fan can be configured to operate continuously at a low airflow rate to improve indoor air quality (IAQ), and it will boost automatically to a maximum desired airflow when environmental conditions change.



TF100-EC fan has been designated as one of the Most Efficient ENERGY STAR certified products in 2025.

Products that are recognized as the Most Efficient of ENERGY STAR in 2025 prevent greenhouse gas emissions by meeting rigorous energy efficiency performance levels set by the U.S. Environmental Protection Agency.



MODEL	SPEED	PERFORMANCE				POWER SUPPLY
		CFM 0.1" SP	CFM 0.25" SP	SONES	WATTS	
TF100-EC	Low	50	46	0.3	3.4	120V
	Medium	80	77	0.5	6.1	60 Hz
	High	100	95	1.0	9.7	1 Phase

*SONES AND WATTS ARE RATED AT 0.1" SP

DIMENSIONS IN INCHES*					
DUCT DIA.	GRILLE SIZE	HOUSING SIZE			SHIP WT (lbs)
		L	W	H	
4"	11.875 x 11.375	9	9	5.75	5.0

*DO NOT USE FOR CONSTRUCTION CONSULT FACTORY FOR CERTIFIED PRINTS



TF140-EC TRANQUIL BATHROOM FAN



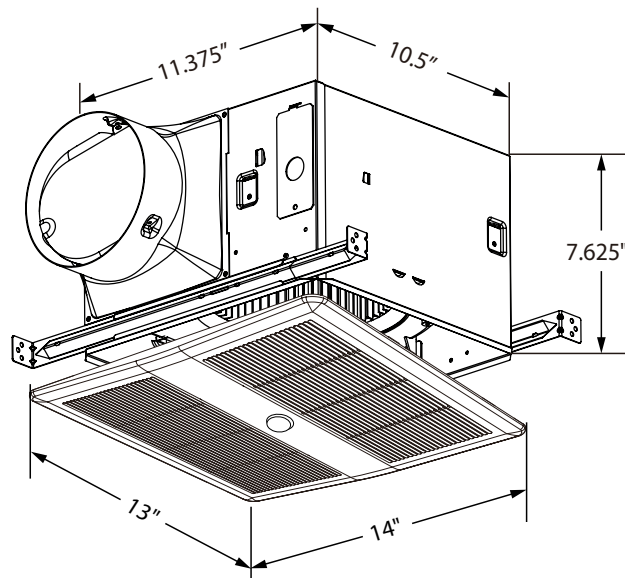
TF140-EC Tranquil Bathroom Fan features an electronically commutated (EC) motor that provides superior ventilation and efficient performance. Toggle-switch positioning determines the maximum desired airflow rate, ranging from 80 to 140 cfm.

Features & Benefits

- Totally enclosed brushless electronically commutated (EC) motor
- Efficient operation at two configurable airflow levels
- Whisper-quiet sones as low as 0.3
- Low profile grille with plug & play motion sensor
- Built-in humidity sensor and time delay
- Toggle-switch selection for maximum desired airflow
- Maximum airflow from 80 to 140 cfm
- Continuous low airflow operation, adjustable from 30 cfm to maximum or OFF
- Corrosion resistant 26 GA galvanized steel housing
- Double hanger mounting brackets adjust up to 24" span
- Non-metallic collar with built-in backdraft damper
- Permanently lubricated motor for continuous operation
- Automatic reset thermal overload protection
- Fits 6" duct
- ETL listed for use over a tub/shower enclosure with GFCI circuit
- HVI and ENERGY STAR® certified

Accessories & Controls ~ pages 24-25

The versatile TF140-EC fan can be configured to operate continuously at a low airflow rate to improve indoor air quality (IAQ), and it will boost automatically to a maximum desired airflow when environmental conditions change.



MODEL	PERFORMANCE					POWER SUPPLY
	SPEED	CFM 0.1" SP	CFM 0.25" SP	SONES*	WATTS*	
TF140-EC	Low	80	80	0.3	5.6	120V
	Medium	110	109	0.3	8.5	60 Hz
	High	140	137	0.4	13.0	1 Phase

*SONES AND WATTS ARE RATED AT 0.1" SP

DIMENSIONS IN INCHES*					
DUCT DIA.	GRILLE SIZE	HOUSING SIZE			SHIP WT (lbs)
		L	W	H	
6"	13 x 14	11.375	10.5	7.625	5.0

*DO NOT USE FOR CONSTRUCTION
CONSULT FACTORY FOR CERTIFIED PRINTS



TF TRANQUIL BATHROOM FANS

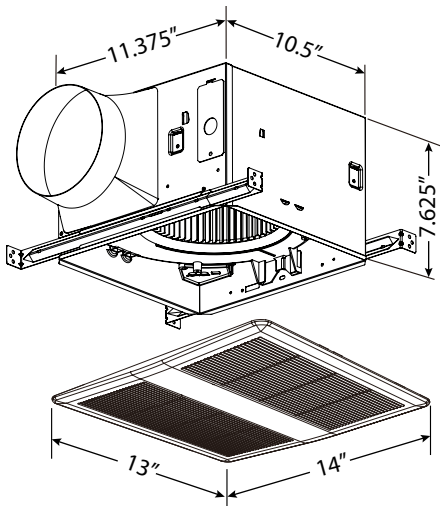


TF Tranquil Bathroom Fans are available in lighted, non-lighted and low-profile versions, providing superior ventilation and efficient performance suitable for all interiors. The built-in damper prevents a backdraft when the fan is not operating.

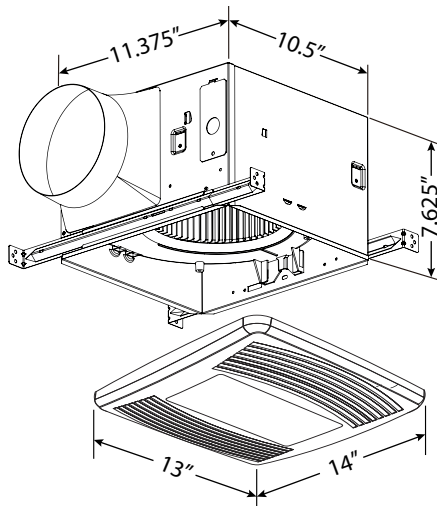
Features & Benefits

- Whisper-quiet, 2.0 sones or less
- Available styles:
 - Lighted (TF80L & TF110L)
 - Non-lighted (TF80, TF110, TF150, TF200 & TF300)
 - Low-profile, 3-3/8" depth housing (TF80N & TF100N)
- May be mounted in a wall (low-profile models only) or ceiling
- Double hanger mounting brackets adjust up to 24" span
- Durable polymeric resin grille for long life
- 26 GA galvanized steel housing
- Built-in backdraft damper
- Efficient AC motor
- 120V, 60 Hz operation
- Automatic reset thermal overload protection
- Max 26W GU24 fluorescent light
- ETL listed for use over a tub/shower enclosure with GFCI circuit

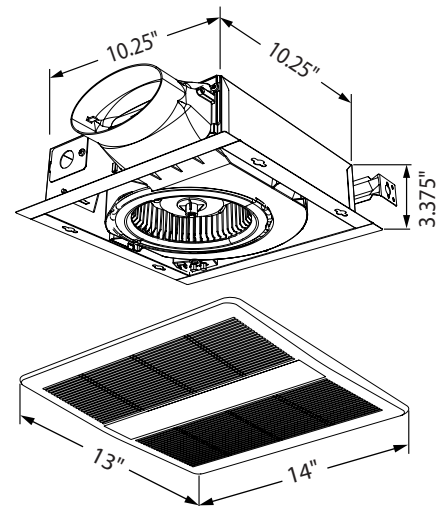
Accessories & Controls ~ pages 24-25



(Non-Lighted)



(Lighted)



(Low Profile)

		PERFORMANCE							
FAN STYLE	MODEL	CFM 0.1" SP	CFM 0.25" SP	SONES*	WATTS	DUCT DIA.	SHIP WT (lbs)	ENERGY STAR® & HVI CERTIFIED	APPLICATION
LIGHTED	TF80L	80	58	0.4	22.8	4" & 6"	5.0	No	Residential
	TF110L	110	100	0.9	28.0	4" & 6"	5.0	No	Residential
NON-LIGHTED	TF80	80	58	0.4	22.8	4" & 6"	5.0	No	Residential
	TF110	110	100	0.9	28.0	4" & 6"	5.0	No	Residential
	TF150	150	130	0.9	35.0	6"	5.0	No	Residential / Commercial
	TF200	200	188	2.0	24.0	6"	5.0	No	Commercial
	TF300	290	268	4.0	52.0	6"	5.0	No	Commercial
LOW-PROFILE	TF80N	80	62	1.2	25.9	4" Oval	5.0	Yes	Residential
	TF100N	100	86	2.0	24.6	4" Oval	5.0	Yes	Residential

*SONES ARE RATED AT 0.1" SP

DO NOT USE FOR CONSTRUCTION
CONSULT FACTORY FOR CERTIFIED PRINTS



ENERGY STAR® & HVI Certified only models TF80N & TF100N

TF400 TRANQUIL BATHROOM FAN

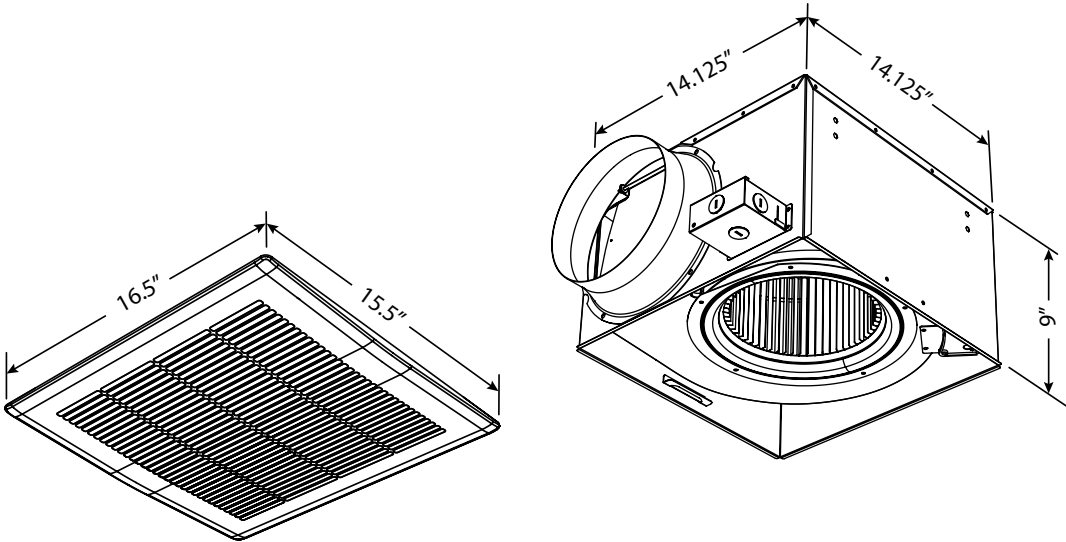


TF400 Tranquil Bathroom Fan offers higher air delivery for commercial applications. The efficient DC motor is designed for continuous and quiet operation.

Features & Benefits

- Totally enclosed brushless DC motor
- Ceiling mount design for commercial applications
- Superior ventilation and efficient performance
- Rugged 26 GA galvanized steel housing w/corrosion resistant finish
- Durable polymeric resin grille for long life
- Easy installation
- 4-point mounting capability
- Built-in backdraft damper
- 120V, 60 Hz operation
- Permanently lubricated motor for continuous operation
- Automatic reset thermal overload protection
- ETL listed for use over a tub/shower enclosure with GFCI circuit
- Fits 8" duct

Accessories & Controls ~ pages 24-25



MODEL	PERFORMANCE			
	CFM 0.1" SP	CFM 0.25" SP	SONES	WATTS
TF400	400	390	3.0	40.0

DIMENSIONS IN INCHES*					
DUCT DIA.	GRILLE SIZE	HOUSING SIZE			SHIP WT (lbs)
		L	W	H	
8"	15.5 x 16.5	14.125	14.125	9.0	14

*DO NOT USE FOR CONSTRUCTION

CONSULT FACTORY FOR CERTIFIED PRINTS



BATHROOM FANS & KITS

CEF CEILING EXHAUST FANS



CEF Ceiling Exhaust Fans provide the perfect solution for hotels, public restrooms, or any commercial spaces that require continuous ventilation. These ceiling or in-line mount, exhaust fans feature a low profile grille and an integral backdraft damper.

Features & Benefits

- Acoustically insulated galvanized steel housing
- Low profile grille
- Integral backdraft damper
- Easily removable blower assembly
- Horizontal (standard) or vertical discharge
- 8 position mounting brackets
- Anti-vibration mounts isolate motor for smooth operation
- Thermally protected fan motor

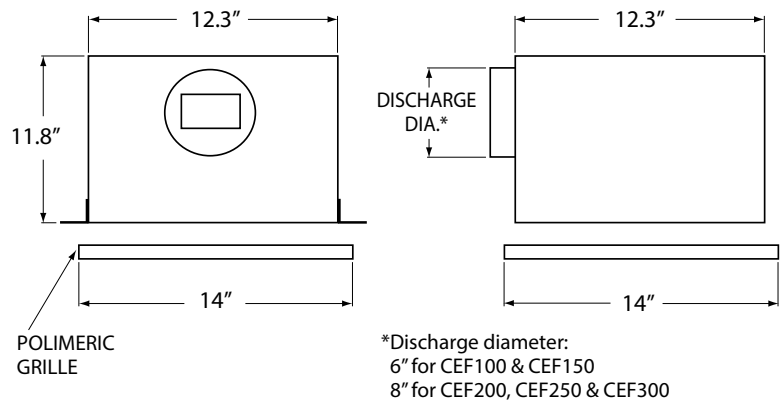
Accessories / Options

- Variable speed control
- Radiation damper
- Time delay switch
- Roof and wall caps
- In-line kit
- Square to round discharge transition (CEF400 & larger)

Models CEF100 Thru CEF300

MODEL	WATTS	RPM*	CFM 0.125 SP	DUCT DIA.	WT (lbs)
CEF100	88	640/650	109	6"	23
CEF150	96	710/750	157	6"	23
CEF200	124	740/760	210	8"	23
CEF250	160	830/860	259	8"	23
CEF300	204	935/950	308	8"	24

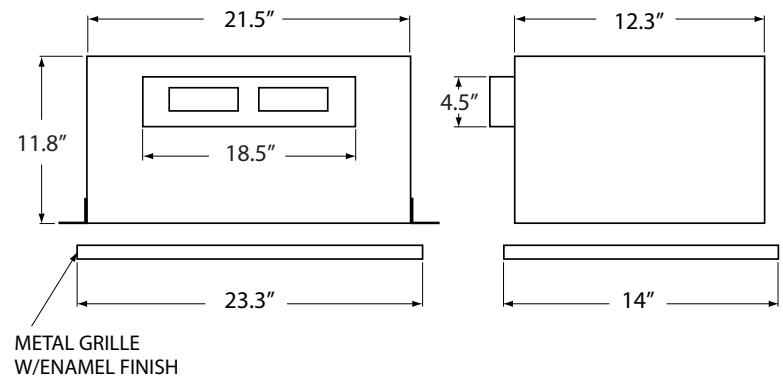
*RPM SHOWN IS HORIZONTAL / VERTICAL DISCHARGE AT 0.125".



Models CEF400 & CEF700

MODEL	WATTS	RPM*	CFM 0.125 SP	DUCT DIA.	WT (lbs)
CEF400	137	735/755	434	18.5" x 4.5"	34
CEF700	298	960/985	701	18.5" x 4.5"	34

*RPM SHOWN IS HORIZONTAL / VERTICAL DISCHARGE AT 0.125".



VISIT CONTINENTALFAN.COM FOR COMPLETE PERFORMANCE DATA

DO NOT USE FOR CONSTRUCTION
CONSULT FACTORY FOR CERTIFIED PRINTS



**OEM Solutions
& Custom Fans**



**Industrial Fans
& Blowers**



**Commercial Fans
& Dampers**



**Residential Fans &
Air Purifiers**



Wholesale Ventilation Products

Continental Fan Manufacturing Inc.
Buffalo, NY ~ Dayton, OH

Continental Fan Canada Inc.
Mississauga, ON

www.continentalfan.com
1-800-779-4021

Distributed by:

