

## ARI-C RADON FANS

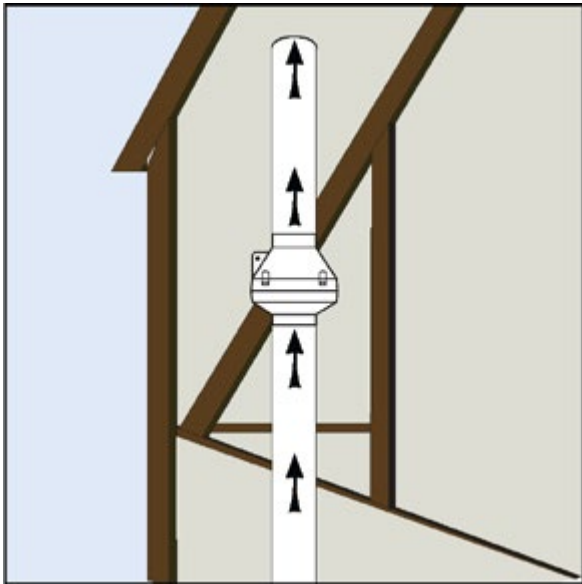


ARI-C radon fans are specifically designed to mitigate radon gas in homes. Radon gas is a naturally occurring, radioactive gas that is emitted from the ground due to the decay of uranium in the soil. By installing an ARI fan in a home, this hazardous gas can be safely exhausted.

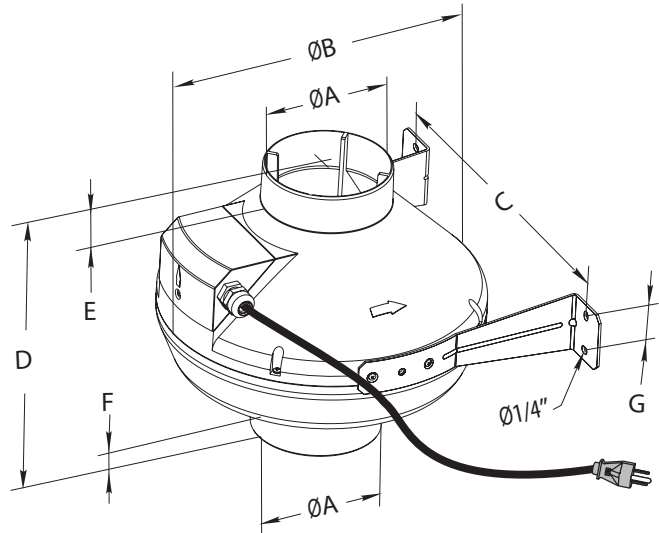
### Features & Benefits

- Quiet, powerful, radon mitigation fan
- Factory sealed, water tight housing and junction box
- UV and corrosion resistant, durable plastic housing
- Easy to install - mounting brackets included
- Mounting is permitted only in interior spaces such as basements, crawl spaces, or attics
- Ideal for long duct runs
- Suitable for air temperatures up to 122 °F
- Pre-wired with 120V power cord
- Exceptionally quiet and efficient BC centrifugal motorized impeller
- External rotor motor design results in superior motor cooling
- Permanently lubricated ball bearing motor for maintenance-free operation
- Automatic reset thermal overload protection
- Easily accessible, external junction box
- Available to fit duct sizes 4" - 8"
- Airflow capacities to 583 cfm

### Accessories & Controls ~ pages 22-23



Interior Installation only



MODEL	WATTS	RPM	AIRFLOW PERFORMANCE (CFM)					
			0" SP	0.2" SP	0.4" SP	0.6" SP	0.8" SP	1.0" SP
ARI100-C	88.5	2872	193	176	158	140	122	105
ARI125-C	114	2960	235	214	185	167	145	123
ARI150-C	93	2785	321	290	255	222	193	159
ARI200-C	149	2781	562	520	472	424	372	329

MODEL	DIMENSIONS IN INCHES								SHIP WT (lbs)
	DUCT DIA.	ØB	ØA	C	D	G	E	F	
ARI100-C	4"	9.8	3.9	10.6	9.1	1.2	1.2	1.1	7.0
ARI125-C	5"	9.8	4.9	10.6	8.7	1.2	1.2	1.1	7.0
ARI150-C	6"	11.8	5.9	12.2	11.3	1.2	1.2	1.2	8.0
ARI200-C	8"	13.4	7.9	13.9	10.9	1.6	1.2	1.2	9.0

DO NOT USE FOR CONSTRUCTION  
CONSULT FACTORY FOR CERTIFIED PRINTS

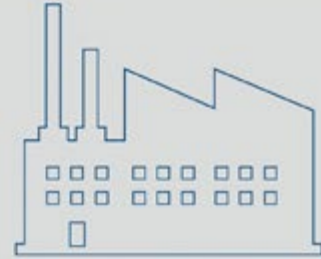




**OEM Solutions  
& Custom Fans**



**Industrial  
Fans & Blowers**



**Commercial  
Fans & Dampers**



**Residential  
Fans & Air Purifiers**



**Wholesale Ventilation Products**

Continental Fan Manufacturing Inc.  
Buffalo, NY ~ Dayton, OH

Continental Fan Canada Inc.  
Mississauga, ON

[www.continentalfan.com](http://www.continentalfan.com)  
1-800-779-4021

Distributed by:

