




Wholesale Ventilation Products



better AIRFLOW by DESIGN™

Continental Fan was established in 1986 to manufacture and distribute quality ventilation equipment. Our objectives then were simple ... to provide superior products, dependable service, competitive pricing, and a knowledgeable staff to satisfy our customers' needs. They remain unchanged today.

Industry leading  air moving equipment has earned an excellent reputation through years of exceptional performance and reliable operation. We offer the largest quick ship program available and fast deliveries for those products not in stock.

Our experienced and friendly staff delivers customer service that is second to none. We are happy to entertain inquiries for custom fans and provide our customers with 3D models for their air moving solutions. In short, we provide ... **better AIRFLOW by DESIGN™**

TABLE OF CONTENTS

ENERGY RECOVERY VENTILATORS

- ECO-FLO^{Plus} Energy Recovery Ventilator (ERV) 3

DUCT FANS

- AXC In-Line Duct Fans 4
- AXS EC In-Line Duct Fans 5
- AXP In-Line Duct Fans 6
- MFT & MFT-S Mixed Flow In-Line Fans 7
- MBI Centrifugal In-Line Fans 8
- EXM External Mount Duct Fans 9

RADON FANS

- ARI-C Radon Fans 10

DRYER BOOSTER FANS

- DVK Dryer Booster Fan 11

BATHROOM FANS & KITS

- AXC Bathroom Ventilation Kits 12
- TF-EC Tranquil Bathroom Fans 13
- TF Tranquil Bathroom Fans 14
- CEF Ceiling Exhaust Fans 15

AIR PURIFIERS

- CX1000 Portable Air Purifier 16

ACCESSORIES, GRILLES & CONTROLS

- Grilles 17
- Controls 17
- Accessories 18

DAMPERS

- BDD Backdraft Dampers 19
- IRIS Dampers 20

DESTRATIFICATION FANS

- DSF Destratification Fans 21

WALL FANS

- SEF Shutter Mount Wall Fans 22
- PEF Panel Mount Wall Fans 22
- GEF Guard Mount Wall Fans 22

ROOF & WALL EXHAUST FANS

- RMD Direct Drive Axial Exhaust Fans 23
- CUD Direct Drive Upblast Fans 24
- CDD Direct Drive Downblast Fans 25
- CUD / CDD Performance 26

OEM AND INDUSTRIAL FANS & BLOWERS

- OEM / Industrial Fans & Blowers 27

CFM SELECT

For latest pricing and fan selection, create an account at cfmselect.com.



TERMS & CONDITIONS OF SALE

For terms & conditions of sale, visit continentalfan.com.



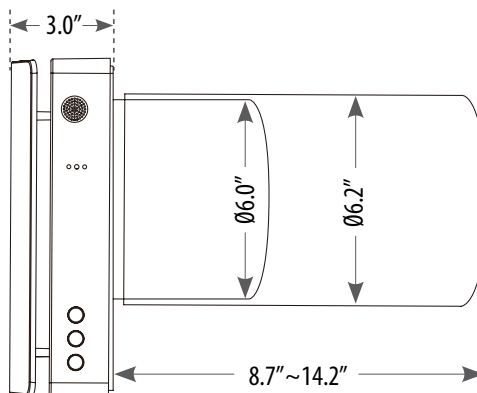
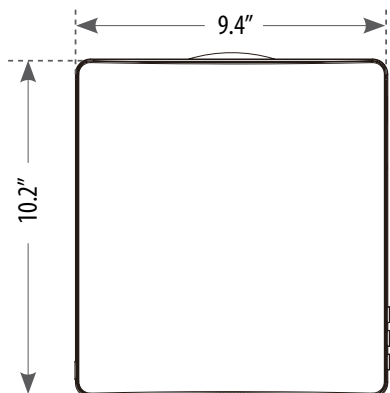
ECO-FLO^{Plus} ENERGY RECOVERY VENTILATOR



ECO-FLO^{Plus} ERV is the all-in-one ventilation solution for new construction and renovation projects. This compact ventilator is capable of exhausting stale indoor air and supplying fresh filtered outdoor air. The energy recovered from the exhaust air will pre-heat or pre-cool the incoming supply air (depending on the season).

Features & Benefits

- Supplies fresh outdoor air and exhausts stale indoor air
- Real-time monitoring of indoor CO2 concentration
- Quiet operation - less than 32.7dB(A)
- Low energy demand 11.5 watts
- Easily control from the app, remote, or ventilator casing
- Reversible 3-speed axial fan with an energy efficient DC motor
- High-tech ceramic energy regenerator with heat recovery efficiency up to 97%
- Air purification with a pre-filter and MERV11 (F7) filter
- Built-in temperature sensor
- Automatic shutter prevents backdrafts
- Plain white interior panel
- Simple through-the-wall installation
- Frost and condensation free
- Flexible operation, working individually or in groups



Exterior Grille Not Shown

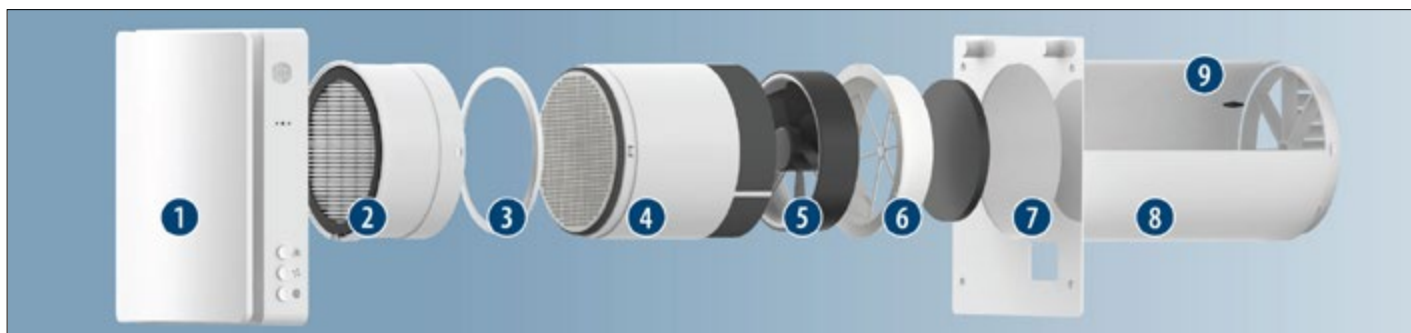
Consult factory for walls thicker or thinner than the standard dimensions.

PERFORMANCE

MODEL	THERMAL RECOVERY				AIRFLOW (CFM) ¹		AIRFLOW (CFM) ² (BOOST MODE MAX)	RPM (MAX)	SOUND PRESSURE (dBA)	POWER SUPPLY
	SPEED	WATTS	AMPS	(with F7 Filter)	(without F7 Filter)					
ECO-FLO ^{Plus}	Up to 97%	Low	9.7	0.14	11.8	20.0	35	2200	32.7	100V~240V AC 50-60Hz
		Medium	10.7	0.15	23.5	33.0				
		High	11.5	0.16	29.4	41.2				

1. AIRFLOW IN SUPPLY/EXHAUST MODE
2. MAX AIRFLOW UNDER FAN BOOST MODE

IP X4 INGRESS PROTECTION



1. Ventilation unit	4. Ceramic energy regenerator	7. Mounting plate	Exterior grille - not shown
2. MERV 11 (F7) filter	5. 12V DC fan	8. Air duct	
3. Pre-filter	6. Separation ring	9. Temperature sensor	

AXC IN-LINE DUCT FANS



Features & Benefits

- Heavy gauge, drawn steel housing with baked epoxy finish
- 120V operation, other voltages available
- Easy to install - mounting brackets included
- May be mounted in any position
- Fans may be used to supply or exhaust air
- Suitable for air temperatures up to 140 °F / 60 °C
- Speed controllable (optional solid state speed control)
- Optional pre-wired with 120V power cord (AXC-C)
- Exceptionally quiet and efficient BC centrifugal motorized impeller
- External rotor motor design results in superior motor cooling and durability
- Permanently lubricated ball bearing motor for maintenance-free operation
- Automatic reset thermal overload protection
- Fan and motor are precision balanced for quiet and vibration-free operation
- Easily accessible, external junction box with pre-wired capacitor
- Available to fit duct sizes 4" - 12"; airflow capacities to 970 cfm

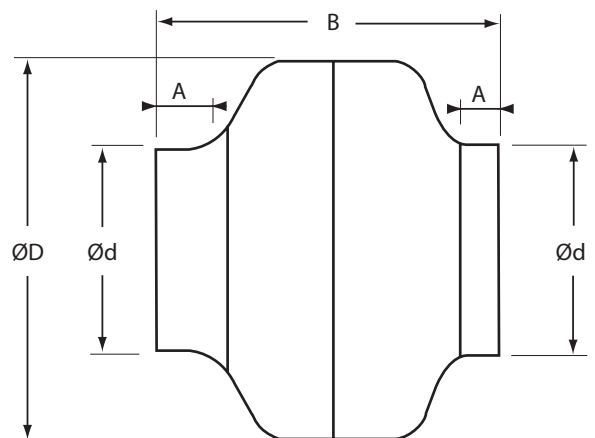
AXC fans are designed for residential, commercial and light industrial ventilation applications. The quiet, efficient backward-curved motorized impeller is capable of developing significant pressure, and the in-line configuration simplifies installation.

Accessories & Controls ~ pages 22-23

MODEL	WATTS	RPM	AIRFLOW PERFORMANCE (CFM)								
			0" SP	0.2" SP	0.4" SP	0.6" SP	0.8" SP	1.0" SP	1.2" SP	1.5" SP	2.0" SP
AXC100A-ES	43.3	2580	147	130	107	82	57	34	11		
AXC100B	83.4	2620	150	140	127	112	94	74	53	23	
AXC125A-ES	44.4	2520	179	150	121	87	49	14			
AXC125B	85.4	2750	183	160	141	122	101	77	51	14	
AXC150A-ES	46.8	2390	235	190	148	97	44				
AXC150B-ES	89.2	2450	308	260	216	175	139	108	81	47	
AXC200A-ES	84.5	2500	368	300	234	184	149	114	70		
AXC200B-ES	188	2550	579	520	453	387	329	282	245	206	154
AXC250-ES	198	2470	616	550	488	431	379	330	286	227	143
AXC300A-ES	206	2450	780	700	595	420	330	290	255	210	132
AXC300B-ES	312	2780	970	910	803	680	559	453	367	273	164

FOR PRE-WIRED WITH 120V POWER CORD, ADD -C TO MODEL.

MODEL	DIMENSIONS IN INCHES				SHIP WT (lbs)
	ØD	Ød	A	B	
AXC100A-ES	9.5	3.9	1.0	8.3	7.5
AXC100B	9.5	3.9	1.0	8.3	8.0
AXC125A-ES	9.5	4.8	1.0	8.3	7.5
AXC125B	9.5	4.8	1.0	8.3	7.5
AXC150A-ES	9.5	5.8	1.0	8.3	7.5
AXC150B-ES	13.2	5.8	1.0	9.1	12.5
AXC200A-ES	13.2	7.8	1.0	9.1	12.0
AXC200B-ES	13.2	7.8	1.0	9.1	15.0
AXC250-ES	13.2	9.8	1.0	9.1	15.0
AXC300A-ES	15.9	11.8	1.2	11.8	18.0
AXC300B-ES	15.9	11.8	1.2	11.8	18.0



DO NOT USE FOR CONSTRUCTION
CONSULT FACTORY FOR CERTIFIED PRINTS



AXS EC IN-LINE DUCT FANS



With its efficient electronically commutated (EC) motorized impeller, AXS EC fans set new standards for efficiency and versatility. The efficient backward-curved impeller can develop significant pressure. AXS EC fans are suitable for residential, commercial and light industrial ventilation applications.

Features & Benefits

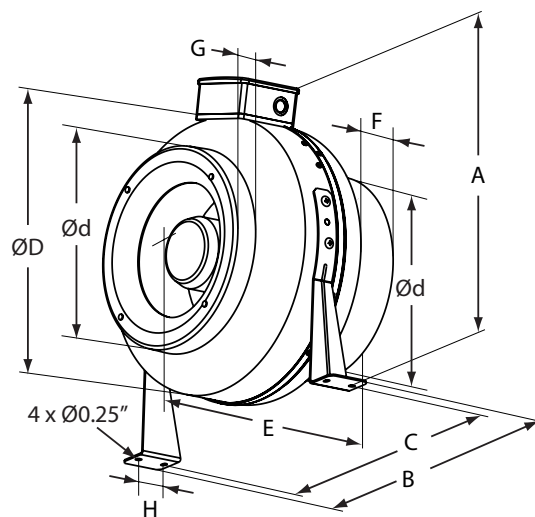
- Efficient electronically commutated (EC) motorized impeller
- Energy efficient
- Corrosion resistant, durable steel housing with polymer coating
- 120V, 60 Hz operation; single phase
- Easy to install - mounting brackets included
- Suitable for air temperatures up to 105 °F
- Optional pre-wired with 120V power cord (AXS-EC-C)
- Speed controllable 0-10 V
- External rotor motor design results in superior motor cooling
- Rated for continuous operation
- Permanently lubricated ball bearing motor for maintenance-free operation
- Automatic reset thermal overload protection
- Fan and motor are precision balanced for quiet, vibration-free operation
- Available to fit duct sizes 4" -12"
- Airflow capacities to 801 cfm

Accessories & Controls ~ pages 22-23

MODEL	WATTS	RPM	AIRFLOW PERFORMANCE (CFM)										
			0" SP	0.125" SP	0.2" SP	0.25" SP	0.375" SP	0.5" SP	0.75" SP	1.0" SP	1.25" SP	1.5" SP	2.5" SP
AXS100-EC	33.0	2760	151	141	135	130	120	110	90	70	49	29	
AXS125-EC	57.1	3396	248	239	231	225	211	198	170	143	115	88	
AXS150-EC	75.1	3336	306	299	291	285	272	258	231	204	176	149	40
AXS200-EC	99.0	2820	539	510	494	484	458	432	380	328	277	225	18
AXS250-EC	133.6	2628	667	600	586	577	553	530	484	438	392	346	161
AXS300-EC	173.5	2796	801	741	726	716	690	665	614	563	512	461	257

WATTS AND RPM ARE SHOWN AT 0.2" SP
FOR PRE-WIRED WITH 120V POWER CORD, ADD -C TO MODEL.

MODEL	DIMENSIONS IN INCHES										SHIP WT (lbs)
	DUCT DIA.	ØD	Ød	A	B	C	E	F	G	H	
AXS100-EC	4"	10.0	3.9	13.4	12.2	10.6	8.0	0.8	1.0	1.2	7.0
AXS125-EC	5"	10.0	4.8	13.4	12.2	10.6	8.0	0.8	1.0	1.2	6.8
AXS150-EC	6"	12.0	5.8	14.2	14.2	12.6	7.9	0.8	1.0	1.2	8.2
AXS200-EC	8"	13.6	7.8	17.1	15.6	14.0	9.6	1.0	1.2	1.6	11.2
AXS250-EC	10"	13.6	9.8	17.1	15.6	14.0	9.8	1.0	1.2	1.6	12.8
AXS300-EC	12"	15.9	11.9	18.3	17.9	16.3	10.2	1.2	1.2	1.6	15.8



DO NOT USE FOR CONSTRUCTION
CONSULT FACTORY FOR CERTIFIED PRINTS



AXP IN-LINE DUCT FANS



Features & Benefits

- UV and corrosion resistant, durable plastic housing
- 120V operation, other voltages available
- Easy to install - mounting brackets included
- May be mounted in any position
- Fans may be used to supply or exhaust air
- Suitable for air temperatures up to 122 °F
- Energy efficient - speed controllable (optional solid state speed control)
- Optional pre-wired with 120V power cord (AXP-C)
- Exceptionally quiet and efficient BC centrifugal motorized impeller
- External rotor motor design results in superior motor cooling
- Permanently lubricated ball bearing motor for maintenance-free operation
- Automatic reset thermal overload protection
- Fan and motor are precision balanced for quiet, vibration-free operation
- Easily accessible, external junction box with pre-wired capacitor
- Available to fit duct sizes 4" - 12"; airflow capacities to 871 cfm

AXP fans are designed for residential, commercial and light industrial ventilation applications. The quiet, efficient backward-curved motorized impeller is capable of developing significant pressure, and the in-line configuration simplifies installation.

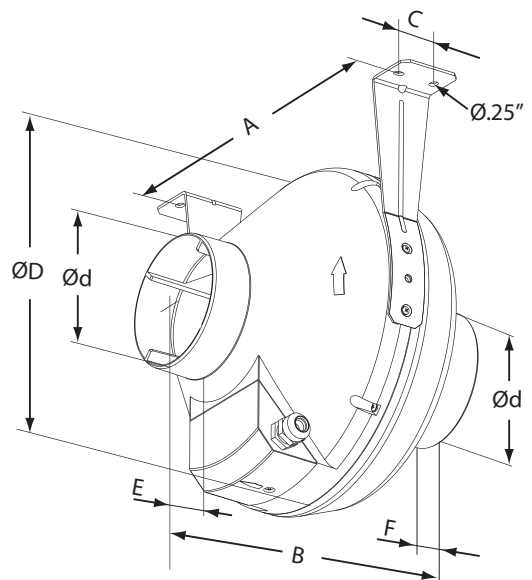
Accessories & Controls ~ pages 22-23

MODEL	WATTS	RPM	AIRFLOW PERFORMANCE (CFM)										
			0" SP	0.1" SP	0.2" SP	0.3" SP	0.4" SP	0.5" SP	0.6" SP	0.7" SP	0.8" SP	0.9" SP	1.0" SP
AXP100	88.5	2872	193	184	176	167	158	148	140	131	122	114	105
AXP125	114	2960	235	220	214	198	185	178	167	156	145	134	123
AXP150	93	2785	321	307	290	272	255	237	222	206	193	175	159
AXP200	149	2781	562	536	520	501	472	451	424	397	372	347	329
AXP250	266	2523	683	653	620	588	551	518	487	453	423	394	368
AXP300	286	2641	871	825	867	736	683	645	569	515	476	430	388

WATTS AND RPM ARE SHOWN AT 0.2" SP
FOR PRE-WIRED WITH 120V POWER CORD, ADD -C TO MODEL.

MODEL	DIMENSIONS IN INCHES								SHIP WT (lbs)
	DUCT DIA.	ØD	Ød	A	B	C	E	F	
AXP100	4"	9.8	3.9	10.6	9.1	1.2	1.2	1.1	7.0
AXP125	5"	9.8	4.9	10.6	8.7	1.2	1.2	1.1	7.0
AXP150	6"	11.8	5.9	12.2	11.3	1.2	1.2	1.2	8.0
AXP200	8"	13.4	7.9	13.9	10.9	1.6	1.2	1.2	9.0
AXP250	10"	13.4	9.8	13.9	10.4	1.6	1.2	1.2	12.0
AXP300*	12"	15.8	12.3	16.3	16.3	1.6	1.6	2.2	14.0

*INCLUDES 2 DUCT REDUCERS TO FIT 12" DUCT
DO NOT USE FOR CONSTRUCTION
CONSULT FACTORY FOR CERTIFIED PRINTS



MBI CENTRIFUGAL IN-LINE FANS



MBI fans are designed for residential and light commercial ventilation applications. Multiple source ducting options offer the perfect solution for whole house ventilation in multi-unit housing complexes.

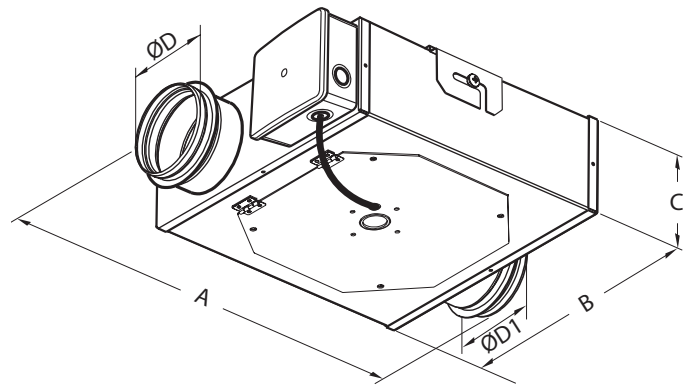
Features & Benefits

- Steel housing with corrosion resistant finish
- 120V operation, other voltages available
- Removable fan cover for easy maintenance
- Easy to install - mounting brackets included
- Multiple source ducting options
- Fans may be used to supply or exhaust air
- Suitable for air temperatures up to 140 °F
- Energy efficient - speed controllable (optional solid state speed control)
- Exceptionally quiet and efficient BC centrifugal motorized impeller
- Single-phase asynchronous external rotor motor
- Permanently lubricated ball bearing motor for maintenance-free operation
- Automatic reset thermal overload protection
- Fan and motor are precision balanced for quiet, vibration-free operation
- Easily accessible, external junction box with pre-wired capacitor
- Available to fit duct sizes 4", 5" & 6"; airflow capacities to 290 cfm

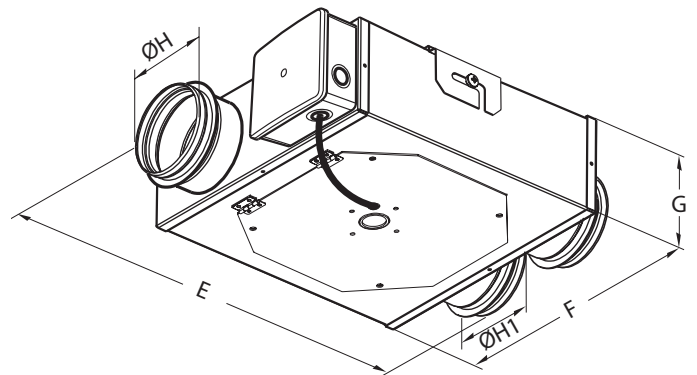
Accessories & Controls ~ pages 22-23

MODEL	WATTS	RPM	AIRFLOW PERFORMANCE (CFM)									
			0" SP	0.125" SP	0.20" SP	0.25" SP	0.50" SP	0.75" SP	1.0" SP	1.25" SP	1.5" SP	1.75" SP
MBI100	105	3090	147	143	139	137	123	110	99	90	76	56
MBI125	113	2920	173	169	165	162	147	126	106	85	58	30
MBI150	110	2020	221	214	206	200	171	145	120	92	65	36
MBI125/100	117	2920	232	225	219	216	197	173	148	125	99	73
MBI150/125	110	2155	290	273	262	252	211	178	146	114	84	57

IN-LINE BOOSTER FAN							
DIMENSIONS IN INCHES							
MODEL	DUCT DIA.	A	B	C	ØD	ØD1	SHIP WT (lbs)
MBI100	4"	16.5	9.9	5.2	3.9	3.9	12.0
MBI125	5"	16.5	9.9	5.2	4.9	4.9	12.0
MBI150	6"	18.9	12.0	6.7	5.9	5.9	16.0



TWIN INTAKE FAN							
DIMENSIONS IN INCHES							
MODEL	DUCT DIA.	E	F	G	ØH	ØH1	SHIP WT (lbs)
MBI125/100	5" / 4"	16.5	9.9	5.2	4.9	3.9	12.0
MBI150/125	6" / 5"	18.9	11.8	6.7	5.9	4.9	16.0



DO NOT USE FOR CONSTRUCTION
CONSULT FACTORY FOR CERTIFIED PRINTS



EXM EXTERNAL MOUNT DUCT FANS



EXM external mount duct fans offer the perfect solution when limited space prevents the use of an in-line duct fan. Access and maintenance are simplified with the through-the-wall design of an EXM fan that mounts on an exterior wall.

Features & Benefits

- Steel housing with polymer coating
- Removable fan cover for easy maintenance
- Sidewall mounted on the exterior of a building
- Quiet and efficient BC centrifugal motorized impeller
- External rotor motor design results in superior motor durability
- Suitable for air temperatures up to 113 °F
- 120V, 60 Hz; single phase operation
- Permanently lubricated ball bearing motor for maintenance-free operation
- Automatic reset thermal overload protection
- IP X4 protection
- Fits 4", 5", 6" & 8" duct
- Airflow capacity to 306 cfm
- Two-year warranty

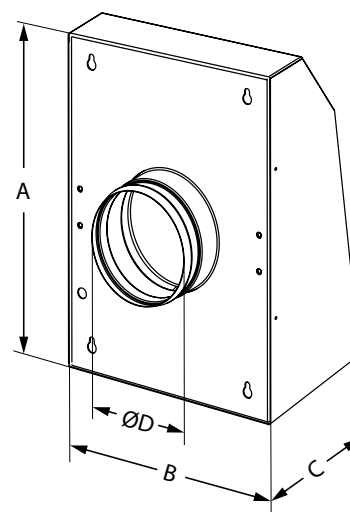
Accessories & Controls ~ pages 22-23

MODEL	WATTS	RPM	AIRFLOW PERFORMANCE (CFM)				
			0" SP	0.25" SP	0.5" SP	1.0" SP	1.5" SP
EXM100	108	3100	238	223	204	134	30
EXM125	108	2950	248	231	213	146	25
EXM150	109	2250	302	286	256	159	27
EXM200	106	2300	306	291	258	148	9

RPM AND WATTS ARE SHOWN AT 0.2" SP

MODEL	DIMENSIONS IN INCHES					SHIP WT (lbs)
	DUCT DIA.	ØD	A	B	C	
EXM100	4"	3.9	14.0	10.3	5.4	9.0
EXM125	5"	4.9	14.0	10.3	5.4	9.0
EXM150	6"	5.9	15.8	11.8	5.4	9.9
EXM200	8"	7.9	15.8	11.8	5.4	9.9

DO NOT USE FOR CONSTRUCTION
CONSULT FACTORY FOR CERTIFIED PRINTS



RESIDENTIAL & COMMERCIAL VENTILATION APPLICATIONS:

- Bathroom exhaust
- Kitchen ventilation
- Crawl space ventilation
- Whole house ventilation
- Garages
- Office
- Warehouse
- Restaurant

ARI-C RADON FANS

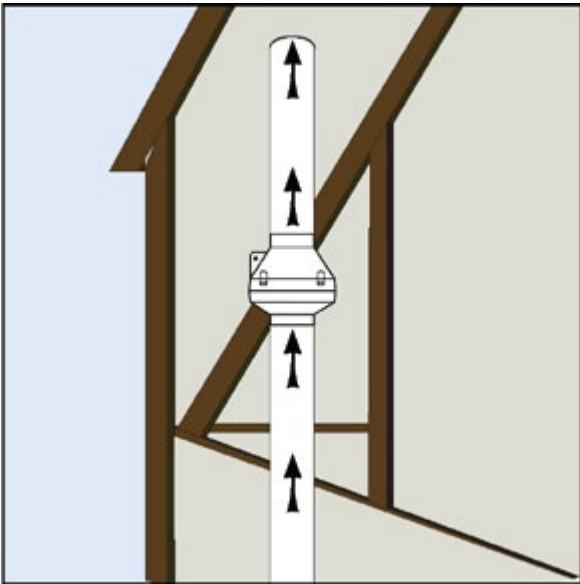


ARI-C radon fans are specifically designed to mitigate radon gas in homes. Radon gas is a naturally occurring, radioactive gas that is emitted from the ground due to the decay of uranium in the soil. By installing an ARI fan in a home, this hazardous gas can be safely exhausted.

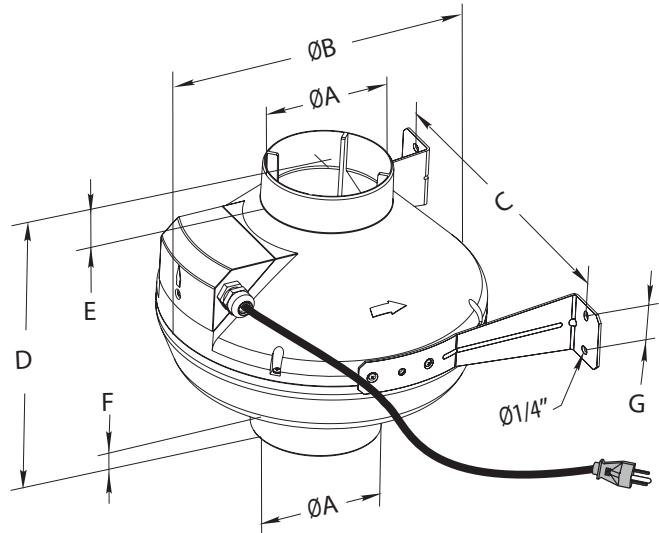
Features & Benefits

- Quiet, powerful, radon mitigation fan
- Factory sealed, water tight housing and junction box
- UV and corrosion resistant, durable plastic housing
- Easy to install - mounting brackets included
- Mounting is permitted only in interior spaces such as basements, crawl spaces, or attics
- Ideal for long duct runs
- Suitable for air temperatures up to 122 °F
- Pre-wired with 120V power cord
- Exceptionally quiet and efficient BC centrifugal motorized impeller
- External rotor motor design results in superior motor cooling
- Permanently lubricated ball bearing motor for maintenance-free operation
- Automatic reset thermal overload protection
- Easily accessible, external junction box
- Available to fit duct sizes 4" - 8"
- Airflow capacities to 562 cfm

Accessories & Controls ~ pages 22-23



Interior Installation only



MODEL	WATTS	RPM	AIRFLOW PERFORMANCE (CFM)					
			0" SP	0.2" SP	0.4" SP	0.6" SP	0.8" SP	1.0" SP
ARI100-C	88.5	2872	193	176	158	140	122	105
ARI125-C	114	2960	235	214	185	167	145	123
ARI150-C	93	2785	321	290	255	222	193	159
ARI200-C	149	2781	562	520	472	424	372	329

MODEL	DIMENSIONS IN INCHES								
	DUCT DIA.	ØB	ØA	C	D	G	E	F	SHIP WT (lbs)
ARI100-C	4"	9.8	3.9	10.6	9.1	1.2	1.2	1.1	7.0
ARI125-C	5"	9.8	4.9	10.6	8.7	1.2	1.2	1.1	7.0
ARI150-C	6"	11.8	5.9	12.2	11.3	1.2	1.2	1.2	8.0
ARI200-C	8"	13.4	7.9	13.9	10.9	1.6	1.2	1.2	9.0

DO NOT USE FOR CONSTRUCTION
CONSULT FACTORY FOR CERTIFIED PRINTS



DVK DRYER BOOSTER FAN



The DVK dryer booster fan is designed to enhance the drying efficiency of a dryer. Fans feature quiet and efficient backward curved impellers that are capable of overcoming long duct runs, and an in-line configuration that simplifies installation. Unique design features result in a quiet and powerful solution.

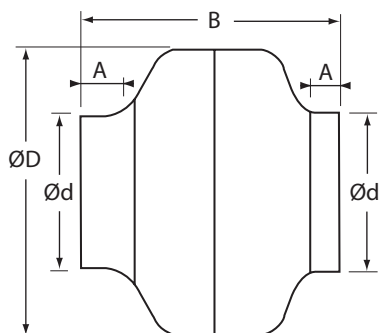
Features & Benefits

- Boosts dryer efficiency and reduces drying time
- External rotor motor design for quiet and efficient operation
- Backward-curved centrifugal impeller to overcome long duct runs
- In-line construction to reduce lint build-up
- Heavy gauge, drawn steel housing with baked epoxy finish
- High temperature construction: 60 C/140 °F
- Thermal overload protection
- Automatic reset

Installation Tips

- DVK100B fans should be mounted at least 15 linear feet from dryer
- Each 90-degree elbow is equivalent to 5 linear feet of duct
- DVK100B fans are designed to vent up to 110 feet of 4-inch rigid duct

Accessories & Controls ~ pages 22-23



MODEL	WATTS	RPM	AIRFLOW PERFORMANCE (CFM)							
			0" SP	0.2" SP	0.4" SP	0.6" SP	0.8" SP	1.0" SP	1.2" SP	1.5" SP
DVK100B	83.4	2620	150	140	127	112	94	74	53	23

MODEL	DIMENSIONS IN INCHES				SHIP WT (lbs)
	ØD	Ød	A	B	
DVK100B	9.5	3.9	1.0	8.3	8.0

DO NOT USE FOR CONSTRUCTION
CONSULT FACTORY FOR CERTIFIED PRINTS

BOOSTER FAN ACTIVATION METHODS



Current Sensor (DVK100B-C Kit)

This is the preferred method for activating a dryer booster fan. When a clothes dryer is operating and drawing at least one amp of current, the current sensor automatically activates the DVK100B dryer booster fan.



Pressure Switch (DVK100B-P Kit)

The pressure switch is designed to be mounted in the duct between the fan and the dryer. When it senses dryer airflow, the switch activates the DVK100B dryer booster fan.



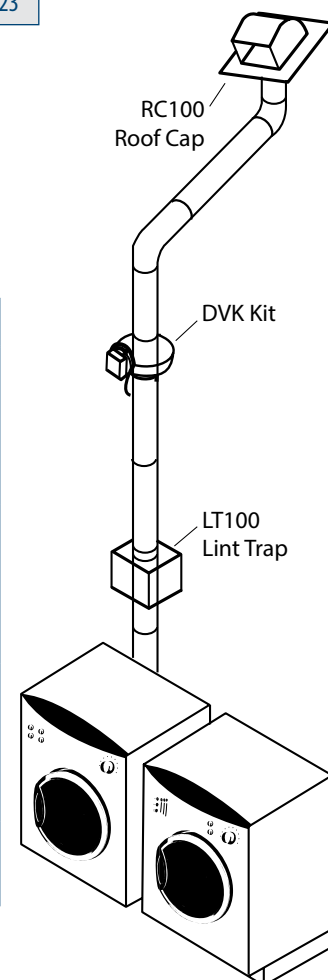
Pressure Switch - Mounted (DVK100B-PM Kit)

The pre-mounted pressure switch simplifies installation. Utilizing the components found in the DVK100B-P kit, the pressure switch is pre-wired and factory mounted to the DVK100B dryer booster fan.

Each of the above booster fan activation methods may be purchased as a separate accessory item. Note: Continental Fan does not recommend wiring a dryer booster fan directly into a clothes dryer.

Helpful Hints

A LT100 Lint Trap may be installed between the dryer and the booster fan to reduce lint build-up and maintenance on the fan.



AXC BATHROOM VENTILATION KITS



Features & Benefits

- Quiet, powerful, compact ventilation
- Exhaust is two to four times greater than traditional bathroom fans
- Remote mount in-line duct fan design
- Suitable for direct shower ventilation
- Designed to handle long duct runs
- Easy-to-install fan kits:
 - Adjustable grille bathroom ventilation kits
 - AeroGrille bathroom ventilation kits

Helpful Tips

- AXC fans mount easily to attic joists.
- Always use insulated duct in unheated spaces.
- When direct venting a shower, or if noise is a significant factor, use insulated flexible duct to reduce condensation and/or noise levels.
- Add a DFC digital fan control for smart control technology and energy savings.

Accessories & Controls ~ pages 22-23

AXC fans provide exhaust that is two to four times greater than traditional bathroom fans. The remote mounted design is suitable for direct shower ventilation and for use with multiple ventilation points.

ROOM SIZE	FAN MODEL	AVAILABLE KITS
Up to 100 sq. ft.	AXC100A-ES	RG100-ES; AGK100-ES
Up to 150 sq. ft.	AXC150A-ES	RG150A-ES; AGK150A-ES; DX150A-ES; DXAGK150A-ES
Over 150 sq. ft.	AXC200A-ES	DX200A-ES

NOTE: DX KITS FEATURE TWO VENTS.

Adjustable Grille Bathroom Ventilation Kits

Attack moisture at its source. Vary airflow to suit your needs.

RG Kits Include:

AXC Fan, Mounting Brackets, GR Adjustable Grille/Collar (1), Gear Clamp (3)

- RG100-ES: 4" Fan, 147 cfm
- RG150A-ES: 6" Fan, 235 cfm



DX Kits Include:

AXC Fan, Mounting Brackets, GR Adjustable Grilles/Collar (2), Gear Clamp (7), Y-Fitting (1)

- DX150A-ES: 6" Fan, 235 cfm
- DX200A-ES: 8" Fan, 368 cfm



AeroGrille Bathroom Ventilation Kits

The attractive, non-adjustable AeroGrille provides superior ventilation when combined with an AXC in-line duct fan.

AGK Kits Include:

AXC Fan, Mounting Brackets, AeroGrille/Collar/Damper (1), Gear Clamp (3)

- AGK100-ES: 4" Fan, 147 cfm
- AGK150A-ES: 6" Fan, 235 cfm



DXAGK Kit Includes:

AXC Fan, Mounting Brackets, AeroGrille/Collar/Damper (2), Gear Clamp (7), Y-Fitting (1)

- DXAGK150A-ES: 6" Fan, 235 cfm



TF TRANQUIL BATHROOM FANS

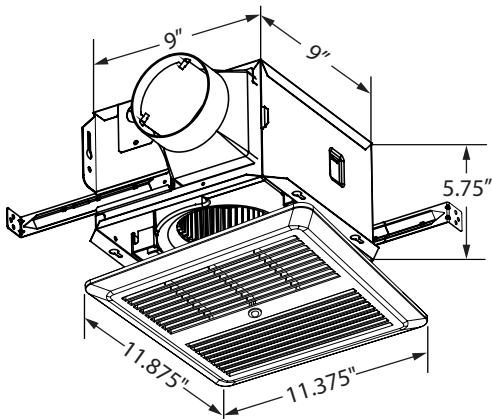


Tranquil bathroom fans provide quiet, efficient ventilation designed to improve indoor air quality while maintaining occupant comfort. Efficient EC motor options support continuous low-airflow operation with automatic boosting when environmental conditions change. With flexible airflow selection and integrated sensors, TF fans offer reliable performance for a wide range of residential applications.

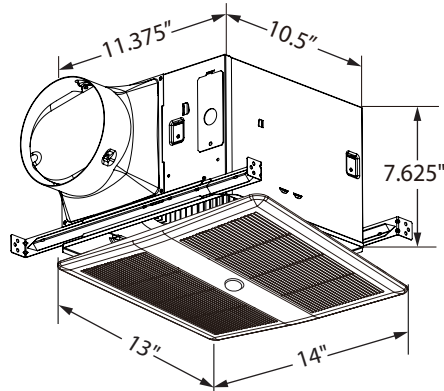
Features & Benefits

- Whisper-quiet operation for improved occupant comfort
- Available with high-efficiency EC motor
- Multi-speed fan
- Continuous low-airflow operation with automatic boost capability
- Multiple airflow settings via internal toggle switches
- Ceiling mount design with low profile grille
- Corrosion-resistant 26 GA galvanized steel housing
- Non-metallic collar with built-in backdraft damper
- Plug & play motion sensor
- Integrated humidity sensor and time delay
- 120V, 60 Hz, single-phase operation
- Permanently lubricated motor for maintenance-free operation
- Automatic reset thermal overload protection
- ETL listed for use over tub or shower with GFCI circuit
- ENERGY STAR® and HVI certified
- 2025 ENERGY STAR® Most Efficient designation (model TF100-EC)

Accessories & Controls ~ pages 22-23



TF100-EC
EC Motor



TF140-EC
EC Motor

			PERFORMANCE						
MODEL	MOTOR TYPE	DUCT DIA.	CFM @ 0.1" SP (LOW - HIGH)	CFM @ 0.25" SP (LOW - HIGH)	SONES (MIN -MAX)	WATTS (MAX)	SHIP WT (lbs)	ENERGY STAR® & HVI CERTIFIED	APPLICATION
TF100-EC	EC	4"	50 - 100	46 - 95	0.3 - 1.0	9.7	5.0	YES	Residential
TF140-EC	EC	6"	80 - 140	80 - 137	0.3 - 0.4	13.0	5.0	YES	Residential

SONES ARE RATED AT 0.1" SP
THE RANGE OF CFM, WATTS & SONES ARE BASED ON THE SELECTED FAN SPEED

DO NOT USE FOR CONSTRUCTION
CONSULT FACTORY FOR CERTIFIED PRINTS



TF TRANQUIL BATHROOM FANS

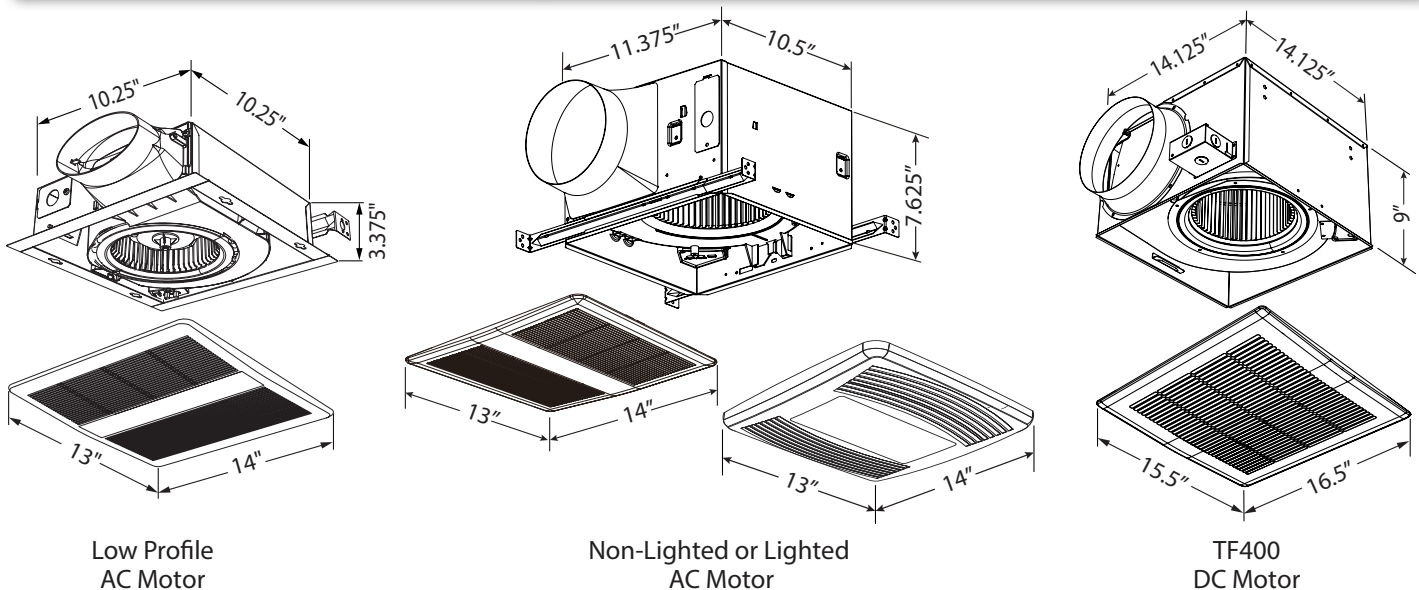


TF bathroom fans are available in lighted, non-lighted and low-profile versions, providing superior ventilation and efficient performance suitable for all interiors. The built-in damper prevents a backdraft when the fan is not operating.

Features & Benefits

- Whisper-quiet
 - Residential models: 0.9 sones or less
 - Commercial models: 4.0 sones or less
- Available styles:
 - Lighted (TF80L & TF110L)
 - Non-lighted (TF80, TF110, TF150, TF200 & TF300, TF400)
 - Low-profile, 3-3/8" depth (TF80N & TF100N)
- May be mounted in a wall (low-profile models only) or ceiling
- Durable polymeric resin grille for long life
- Corrosion resistant 26 GA galvanized steel housing
- Built-in backdraft damper
- 120V, 60 Hz operation
- Automatic reset thermal overload protection
- Max 26W GU24 fluorescent light
- ETL listed for use over a tub/shower enclosure with GFCI circuit

Accessories & Controls ~ pages 22-23



Low Profile
AC Motor

Non-Lighted or Lighted
AC Motor

TF400
DC Motor

			PERFORMANCE								
FAN STYLE	MODEL	MOTOR TYPE	CFM 0.1" SP	CFM 0.25" SP	SONES	WATTS	DUCT DIA.	SHIP WT (lbs)	ENERGY STAR® & HVI CERTIFIED	APPLICATION	
LOW-PROFILE	TF80N	AC	80	62	1.2	25.9	4" Oval	5.0	Yes	Residential	
	TF100N	AC	100	86	2.0	24.6	4" Oval	5.0	Yes	Residential	
LIGHTED	TF80L	AC	80	58	0.4	22.8	4" & 6"	5.0	No	Residential	
	TF110L	AC	110	100	0.9	28.0	4" & 6"	5.0	No	Residential	
NON-LIGHTED	TF80	AC	80	58	0.4	22.8	4" & 6"	5.0	No	Residential	
	TF110	AC	110	100	0.9	28.0	4" & 6"	5.0	No	Residential	
	TF150	AC	150	130	0.9	35.0	6"	5.0	No	Residential / Commercial	
	TF200	AC	200	188	2.0	24.0	6"	5.0	No	Commercial	
	TF300	AC	290	268	4.0	52.0	6"	5.0	No	Commercial	
	TF400	DC	400	390	3.0	40.0	8"	14.0	No	Commercial	

SONES ARE RATED AT 0.1" SP

DO NOT USE FOR CONSTRUCTION
CONSULT FACTORY FOR CERTIFIED PRINTS



ENERGY STAR® & HVI Certified only models TF80N & TF100N

CEF CEILING EXHAUST FANS



Features & Benefits

- Acoustically insulated galvanized steel housing
- Low profile grille
- Integral backdraft damper
- Removable blower assembly
- Horizontal (standard) or vertical discharge
- 8 position mounting brackets
- Anti-vibration mounts isolate motor for smooth operation
- Thermally protected fan motor

Accessories / Options

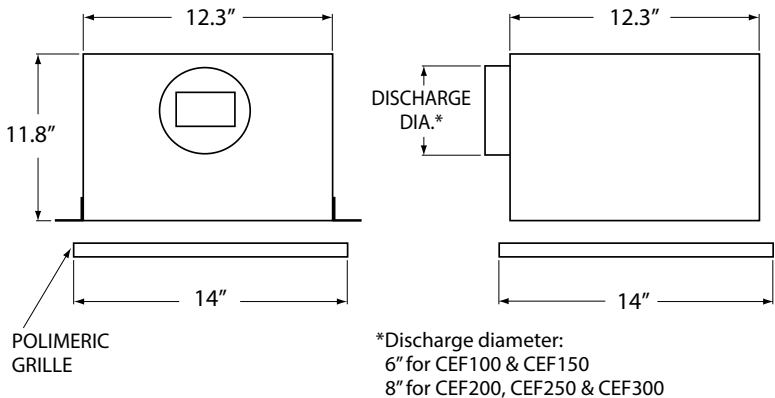
- Variable speed control
- Radiation damper
- Time delay switch
- Roof and wall caps
- Square to round discharge transition (CEF400 & larger)

CEF ceiling exhaust fans provide the perfect solution for hotels, public restrooms, or any commercial spaces that require continuous ventilation. These ceiling or in-line mount, exhaust fans feature a low profile grille and an integral backdraft damper.

Models CEF100 Thru CEF300

MODEL	WATTS	RPM	CFM 0.125 SP	DUCT DIA.	WT (lbs)
CEF100	88	640/650	109	6"	23
CEF150	96	710/750	157	6"	23
CEF200	124	740/760	210	8"	23
CEF250	160	830/860	259	8"	23
CEF300	204	935/950	308	8"	24

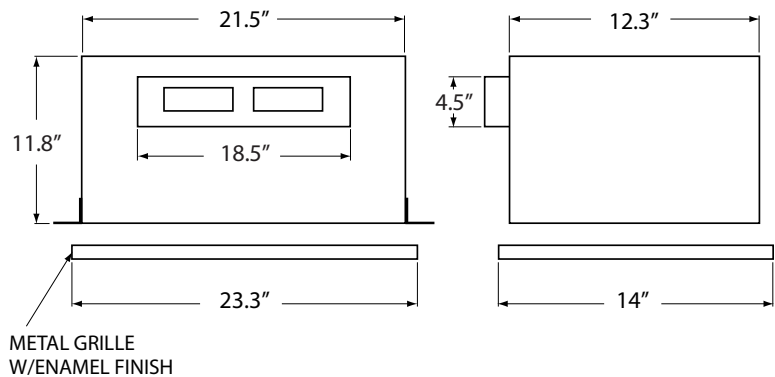
RPM SHOWN IS HORIZONTAL / VERTICAL DISCHARGE AT 0.125".



Models CEF400 & CEF700

MODEL	WATTS	RPM	CFM 0.125 SP	DUCT DIA.	WT (lbs)
CEF400	137	735/755	434	18.5" x 4.5"	34
CEF700	298	960/985	701	18.5" x 4.5"	34

RPM SHOWN IS HORIZONTAL / VERTICAL DISCHARGE AT 0.125".



VISIT CONTINENTALFAN.COM FOR COMPLETE PERFORMANCE DATA

DO NOT USE FOR CONSTRUCTION
CONSULT FACTORY FOR CERTIFIED PRINTS



CX1000 PORTABLE AIR PURIFIER



Features & Benefits

- 1,000 square feet of complete air purification (auto mode)
- Clean air delivery rate (CADR) of 154 and an airflow of 200 cfm
- Create a cleaner environment and promote health and wellness
- High-intensity, UVC germicidal lamp
- 254 nanometers UVC wavelength
- 3-in1 filter:
 - ✓ Pre-filter traps hair and dander
 - ✓ H13 HEPA captures 99.97% of 0.3-micron particles
 - ✓ Activated carbon absorbs toxic gasses
- Photo-reaction oxidation process breaks down VOCs
- Easy maintenance
- Built-in electronic service lights
- Fan speed automatically increases when VOCs are detected
- Quiet, efficient backward-curved impeller
- Ozone free, meeting CA and NY state non-ozone requirements
- 2-year limited warranty (excludes lamp and filter)

Using patented technology, CX1000 portable air purifier removes airborne particles, neutralize odors and chemicals, and render germs, viruses and bacteria harmless. Ideal applications include homes, schools, day cares, offices, beauty salons, dorm rooms and more.

MODEL	DIM. (in.)	MAX AIRFLOW (cfm)	VOLTAGE (V)	POWER (watts)	LAMP (watts)	UVC WAVELENGTH (nm)	LAMP INTENSITY ($\mu\text{W}/\text{cm}^2$ @Surface)	WT (lbs)
CX1000	21.5 x 18 x 8	200	1/115/60	106	8	254	7434	23
	APPLICATION RANGE (sq. ft.)		SERVICE INTERVALS		LIMITED WARRANTY		CATALYST	
	1000 (auto mode)		UVC lamp & filter - 1 year		2 years (excludes lamp & filter)		TiO2 anatase	

SERVICE INTERVALS ARE SUBJECTIVE TIMES AND MAY FLUCTUATE BASED ON ENVIRONMENT.

Air purification process:

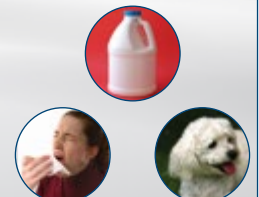
- UVC Lamp**
 - High output UVC germicidal lamp reduces bacteria and fungi
- Photo-reaction oxidation process**
 - Breaks down VOCs (volatile organic compounds)
- 3-in-1 filter**
 - Pre-filter traps hair and dander
 - H13 HEPA captures 99.97% of particles like dust and pollen
 - Activated carbon absorbs toxic gasses from smoke, fumes and cleaners

CX Air Purifiers:

- Create a cleaner environment
- Ease breathing problems
- Alleviate fatigue and headaches
- Promote health and wellness



- Cut dust and cleaning requirements
- Reduce asthma, hay fever and sinus problems
- Control pet odors and dander
- Relieve sore throats, runny noses and sneezing



GRILLES

Adjustable Ventilation Grilles

- GR100 Adjustable Grille 4", Collar
- GR150 Adjustable Grille 6", Collar
- GR200 Adjustable Grille 8", Collar
- GR100-6PK Adjustable Grille 4", Collar - 6 pcs
- GR150-6PK Adjustable Grille 6", Collar - 6 pcs



The fully adjustable GR ventilation grilles are designed for ceiling or wall applications.

AeroGrille Ventilation Grilles

- AG150 AeroGrille 6"
- AG150-C AeroGrille 6", Collar
- AG150-CD AeroGrille 6", Collar, Damper



AeroGrilles are designed for use with either in-line or external mount duct fans.

CONTROLS

Digital Fan Control

- DFC120V Digital Fan Control 5 Modes of Operation - 120V

DFC uses smart technology to automatically calculate the airflow required to achieve acceptable IAQ.



Occupancy Sensor

- SOS125V Occupancy Sensor - 5 amp

Single relay occupancy sensor features 180 degree field of view with coverage up to 900 sq. ft.



Variable Speed Controls (Solid State)

- VSC3 Knob-Style - 115V, 3 amp - 3 Wire
- VSC5 Knob-Style - 115V, 5 amp - 3 Wire
- VSC5-230 Knob-Style - 230V, 5 amp - 4 Wire
- VSC10 Knob-Style - 115V, 10 amp - 3 Wire



Variable speed controls are designed for AC motors. Not for use with any model of TF Bathroom Fan.

Thermostat

- TST120V Line Voltage Thermostat, 120V

TST120V thermostat is suitable for direct connection with any resistance heating element or unit heater.



Digital Timers

- DT60 Digital Timer 10 - 20 - 30 - 60 Minutes

Time control auto shut off, in preset intervals, allows for proper ventilation and energy savings.



Current Sensor (Solid State)

- CS120AF Current Sensor, 120V, Solid State

The current sensor detects AC current. It is ideal for ON/OFF sensing of remote equipment.



Spring Wound Timer

- CT100V Spring Wound Timer 0 - 1 Hour

CT timer provides energy savings by limiting the "on-time" of the fan. Face plate not included.



Pressure Switch (w/Time Delay)

- PST120V Pressure Switch w/Time Delay

PST120V is an airflow proving switch designed for HVAC or energy management applications.



On/Off Switch (w/Pilot Light)

- PLS120V ON/OFF Switch w/Pilot Light

The neon light is ON when the switch is in the ON position. Face plate not included.



Auto Transformer

- TF120V Auto Transformer - 90/60V

TF auto transformer allows for voltage to be regulated to 60V and 90V increments.



ACCESSORIES

Sound Attenuators

- SA100 Sound Attenuator, 4" Duct
- SA150 Sound Attenuator, 6" Duct
- SA200 Sound Attenuator, 8" Duct
- SA250 Sound Attenuator, 10" Duct
- SA300 Sound Attenuator, 12.4" Duct
- SA400 Sound Attenuator, 16" Duct



SA sound attenuators reduce fan noise traveling along ventilation ducts. Ideal for either supply or exhaust ducts.

Duct Reducers/Increases

- DRI-04-03 Duct Reducer/Incraser, 4"-3" Duct, Plastic
- DRI-06-04 Duct Reducer/Incraser, 6"-4" Duct, Galvanized
- DRI-08-06 Duct Reducer/Incraser, 8"-6" Duct, Galvanized
- DRI-10-08 Duct Reducer/Incraser, 10"-8" Duct, Galvanized
- DRI-12-10 Duct Reducer/Incraser, 12"-10" Duct, Galvanized
- DRI-14-12 Duct Reducer/Incraser, 14"-12" Duct, Galvanized



DRI duct reducers/increasers are used to transition a duct from a larger or smaller size. Available in 28 Ga.

Wye Fittings

- WYE-04 Y-Fitting, 4"x4"x4" Duct
- WYE-06 Y-Fitting, 6"x6"x6" Duct
- WYE-08 Y-Fitting, 8"x8"x8" Duct



WYE fittings provide an airtight branch fitting. The crimp and bead edging ensures an easy connection.

Gear Clamps (for Flexible Duct)

- GC150 Gear Clamps for 4" - 6" Duct, Stainless Steel
- GC200 Gear Clamps for 5.5" - 8.5" Duct, Stainless Steel



Stainless steel gear clamps easily connect a duct fan to flexible insulated duct and other auxiliary pieces.

Flexible Insulated Duct

- FLM100 Flexible Insulated 4" Duct - 12.5'
- FLM100-25 Flexible Insulated 4" Duct - 25'
- FLM125 Flexible Insulated 5" Duct - 25'
- FLM150 Flexible Insulated 6" Duct - 25'
- FLM200 Flexible Insulated 8" Duct - 25'
- FLM250 Flexible Insulated 10" Duct - 25'
- FLM300 Flexible Insulated 12" Duct - 25'



UL-181 and ULC S-110 M Class 1 Air Duct, wrapped with R4.2 insulation, 2-ply black polyester laminated inner core.

Mounting Clamps (for Rigid Duct)

- MC100 Mounting Clamps for Rigid 4" Duct (2pc)
- MC125 Mounting Clamps for Rigid 5" Duct (2pc)
- MC150 Mounting Clamps for Rigid 6" Duct (2pc)
- MC200 Mounting Clamps for Rigid 8" Duct (2pc)
- MC250 Mounting Clamps for Rigid 10" Duct (2pc)
- MC300 Mounting Clamps for Rigid 12" Duct (2pc)
- MC355 Mounting Clamps for Rigid 14" Duct (2pc)



MC mounting clamps are designed for use with rigid duct. The foam neoprene layer creates an air tight installation.

Roof Caps

- RC100 Roof Cap, 4" Duct, Black Plastic
- RC150 Roof Cap, 6" Duct, Black Plastic
- RC200 Roof Cap, 8" Duct, Black Plastic



Black plastic roof caps include damper, screen, and collar.

Wall Caps

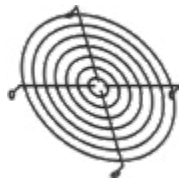
- WC100 Wall Cap, 4" Duct, Aluminum, Reducer 4" - 3"
- WC150 Wall Cap, 6" Duct, Aluminum
- WC200 Wall Cap, 8" Duct, Aluminum



Aluminum wall caps include spring controlled damper.

Guards

- PG100 Guard, 4" Duct
- PG125 Guard, 5" Duct
- PG150 Guard, 6" Duct
- PG200 Guard, 8" Duct
- PG250 Guard, 10" Duct
- PG300 Guard, 12" Duct



Utilize a PG guard as a grille, or mount it directly on the outlet/inlet of a fan to allow for a safe installation.

Louvered Shutters (w/Tail Piece)

- LS100-4W Louvered Shutter, 4" Duct
- LS150-6W Louvered Shutter, 6" Duct



Louvered construction prevents wind and rain from entering the vent.

Lint Trap

- LT100 Lint Trap for 4" Dryer Duct



The LT100 Lint Trap offers a simple solution for reducing maintenance associated with dryer exhaust ducts.

BDD BACKDRAFT DAMPERS



BDD backdraft dampers provide an economical solution to troublesome backdrafts. These premium quality backdraft dampers feature aluminum butterfly damper blades. They are available in either spring loaded or gravity operated designs.

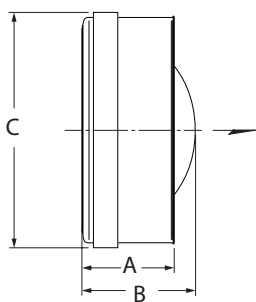
Spring Loaded Dampers

- Neoprene damper seal to minimize air leakage
- Steel housing, aluminum butterfly damper blades
- Gasket designed to withstand temperatures from -22 °F to 180 °F
- Requires from 0.04 to 0.08 in. wg pressure to open
- Simple installation in any position - entire assembly inserts into duct
- Exterior foam gasket assures a tight seal against duct
- 4", 5", 6" & 8" sizes include stamped metal sleeve with center pin / post designs
- 10" & 12" sizes include rolled metal sleeve with center post design

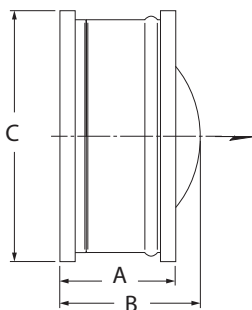
Gravity Operated Dampers

- Low air leakage design
- Galvanized steel housing
- Aluminum butterfly damper blades
- Gravity operated closure
- Install in horizontal or vertical (upblast only) position
- Suitable for supply or exhaust applications
- Available in 7", 14" & 16" sizes

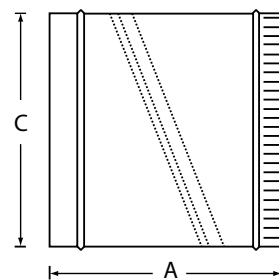
SPRING LOADED DAMPERS
4", 5", 6" & 8"



SPRING LOADED DAMPERS
10" & 12"

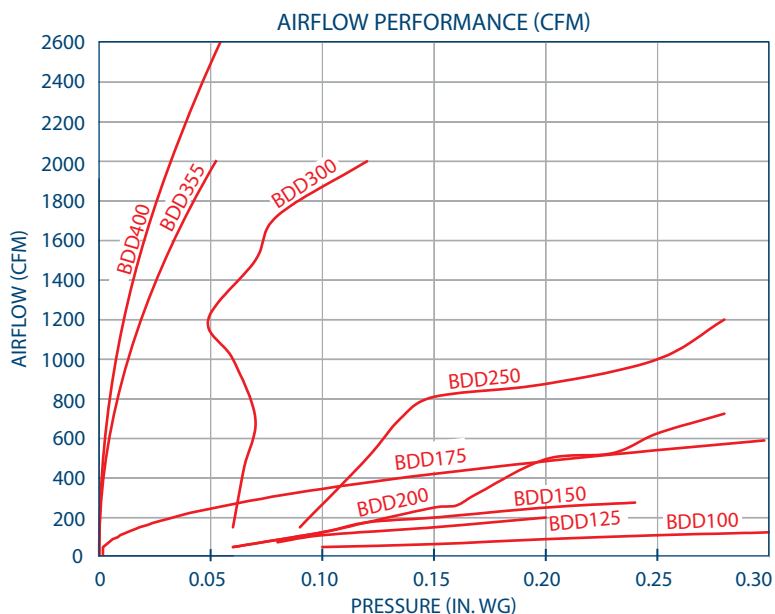


GRAVITY OPERATED DAMPERS
7", 14" & 16"



MODEL	DIMENSIONS IN INCHES			GAUGE
	A	B	C (NOMINAL)	
SPRING LOADED DAMPERS				
BDD100	1.8	2.0	4	20
BDD125	2.0	2.5	5	20
BDD150	2.5	3.0	6	20
BDD200	2.8	3.8	8	20
BDD250	4.8	6.0	10	20
BDD300	6.3	6.8	12	20
GRAVITY OPERATED DAMPERS				
BDD175	7.0	-	7	28
BDD355	12.0	-	14	24
BDD400	14.0	-	16	22

DO NOT USE FOR CONSTRUCTION
CONSULT FACTORY FOR CERTIFIED PRINTS



DAMPERS

IRIS DAMPERS



Features & Benefits

- Precise airflow measurement, reduced field labor time
- Single station measurement and control
- Accurate air balancing to +/- 5% in straight duct
- Compact design, superior performance
- Fitted EPDM gasket for airtight mounting
- Fully retractable blades for duct cleaning
- Ideal for office buildings, pharmaceuticals, clean rooms and laboratories
- Available in 4" to 32" sizes; capacities to 20,000 cfm
- Max operating temperature:
 - 180 °F continuous
 - 250 °F intermittent

The IRIS damper is a brilliantly simple solution for fast and exact measurement, balance and control of airflow. It is ideal for supply and exhaust tracking control, individual comfort control, and any space requiring accurate airflow regulation.

IRIS Damper

- Hot dipped galvanized steel construction

IRIS-S Damper

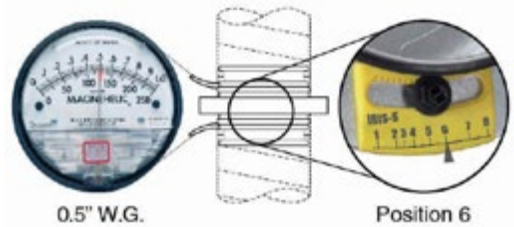
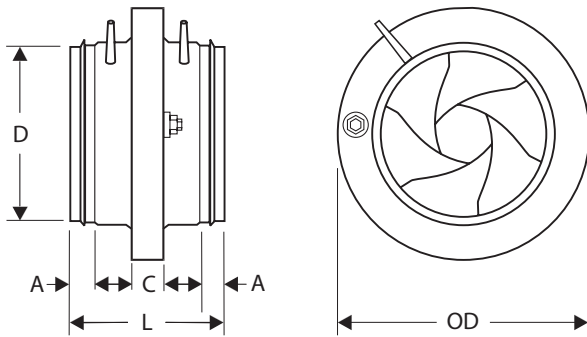
- AISI 316 stainless steel construction
- Prolonged excellence in extreme conditions
- Ideal for corrosive environments

Positive Seal Construction (Optional)

Some applications may require a fully closed damper. For those requiring a 100% shutoff, a positive seal option is available on sizes 4" through 12", in both galvanized and stainless steel IRIS dampers.

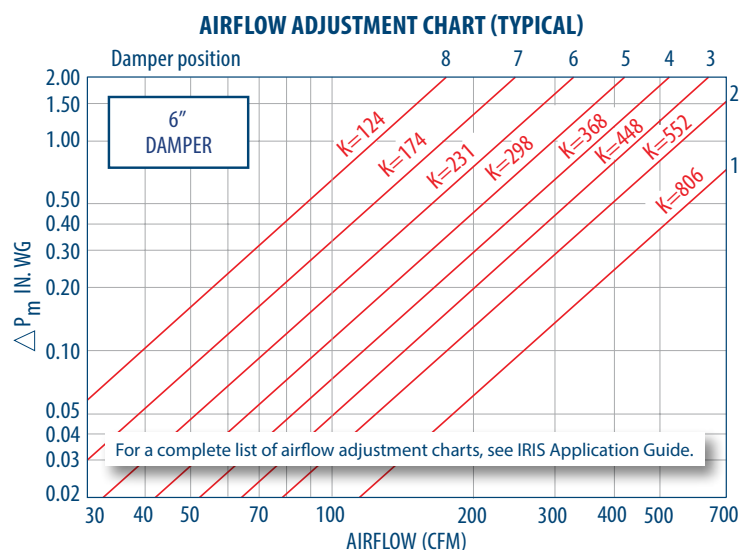
Simple Operation

Using a pressure gauge and a damper's Airflow Adjustment Chart, desired airflow in a duct can be attained by simply turning the damper adjustment nut until the required pressure drop is reached.



MODEL	DIMENSIONS IN INCHES					WT (lbs)
	A	C	D	L	OD	
IRIS-04, IRIS-S-04	1.2	0.6	3.9	4.6	6.5	1.1
IRIS-05, IRIS-S-05	1.2	0.6	4.9	4.6	7.4	1.5
IRIS-06, IRIS-S-06	1.2	0.6	5.9	4.6	9.1	2.0
IRIS-08, IRIS-S-08	1.2	0.6	7.8	4.6	11.2	3.1
IRIS-10, IRIS-S-10	1.6	0.7	9.8	5.3	13.2	4.6
IRIS-12, IRIS-S-12	1.6	0.7	11.8	6.1	16.1	7.7
IRIS-16, IRIS-S-16	2.4	0.8	15.7	7.5	20.7	14.1
IRIS-20, IRIS-S-20	2.0	0.8	19.6	6.7	25.8	21.2
IRIS-25, IRIS-S-25	2.0	0.9	24.7	6.7	32.1	34.4
IRIS-32, IRIS-S-32	3.9	0.9	31.4	10.6	40.0	55.1

DO NOT USE FOR CONSTRUCTION
CONSULT FACTORY FOR CERTIFIED PRINTS



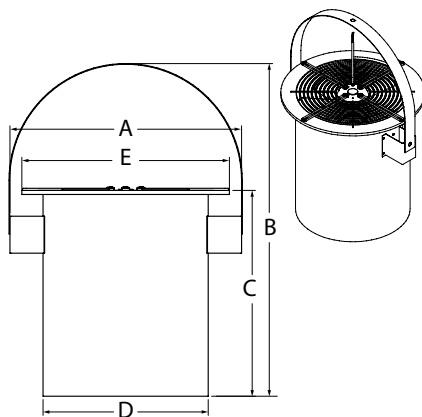
DSF DESTRATIFICATION FANS



DSF destratification fans force heated or cooled air down to floor level, eliminate temperature layers in the ceiling space, and create a more comfortable environment inside a building. The net result is energy savings, along with maximizing the efficiency of an HVAC system.

Features & Benefits

- Reduce hot and cold spots through the mixing of air in large spaces
- Lower energy costs, increased comfort
- Ideal for any building with ceilings 15' or higher
- Breaks up stratification layers
- Powerful, axial flow fan
- External rotor motor design results in superior motor cooling
- Speed controllable using optional solid state speed control
- Permanently lubricated ball bearing motors for maintenance-free operation
- Automatic reset, thermal overload protection
- 120V, 60 Hz operation
- Steel housing with corrosion resistant finish
- Gripple fasteners supplied for safe mounting
- Rotating mounting bracket permits mounting at any angle
- Maximum permissible ambient temperature: 140 °F
- Capacities up to 1460 cfm
- Available in 10", 12" & 14" fan sizes



How Do I Determine How Many Fans I Need?

Air circulation should occur once or twice per hour to maintain a healthy building environment. Select the fan cfm based on the following ceiling height recommendations:

- 15 ft - 20 ft use 420 cfm fan or model DSF250
- 20 ft - 25 ft use 1055 cfm fan or model DSF300
- 25 ft - up use 1460 cfm fan or model DSF350

To determine the number of DSF fans for a given area, the following information is required:

- $(L \times W \times H) =$ Size of room
- $\text{Size of room} / \text{cfm} / 60 =$ Number of units

Example: a building is 125 ft long, 75 ft wide, and 20 ft high.

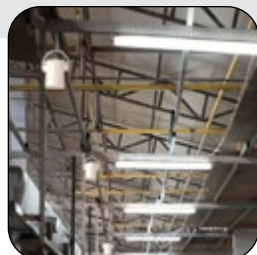
- $125 \times 75 \times 20 = 187,500$ cu. ft
- $187,500 \text{ cu. ft} / 1055 \text{ cfm (DSF300 Fan)} / 60 = 3$ DSF Fans (round to the nearest whole number)

MODEL	DIMENSIONS IN INCHES				
	A	B	C	D	E
DSF250	15.2	20.2	15.2	10.2	13.4
DSF300	17.3	23.9	17.9	12.2	15.4
DSF350	19.2	27.3	20.3	14.2	17.4

DO NOT USE FOR CONSTRUCTION

				PERFORMANCE												
MAX WATTS	MAX AMPS	RPM	CFM @ SP	AIR VELOCITY DEPENDING ON DISTANCE FROM DSF FAN, FPM												
				3 ft	6 ft	10 ft	13 ft	15 ft	20 ft	23 ft	25 ft	30 ft	33 ft	35 ft		
60	0.51	1700	420	378	270	220	156	90	60	20	-	-	-	-		
94	0.80	1675	1055	918	594	380	234	162	120	79	38	20	-	-		
162	1.38	1685	1460	1100	756	760	468	324	300	217	169	120	59	19		

CONSULT FACTORY FOR CERTIFIED PRINTS



DSF Fan Applications

- Gymnasiums
- Grocery stores
- Showrooms
- Schools
- Greenhouses
- Distribution centers
- Airport hangars
- Warehouses
- Cold storage
- Atriums

SEF, GEF & PEF WALL FANS



Features & Benefits

- Suitable for through-the-wall installation
- 2 or 3 speed operation, pull chain switch
- 120 VAC single phase 60 Hz operation
- UL/CSA approved motor
- Totally enclosed permanently lubricated motor
- External junction box
- Aluminum fan blades
- Galvanized frame (SEF model only)
- Painted steel panel (PEF model only)
- Plated steel spiral wire guard
- Mounts directly to inside wall
- Sizes: 10" to 30"
- Capacities to 3,950 cfm

SEF, GEF & PEF wall fans are designed for through-the-wall general ventilation applications. These multi-speed, direct drive axial fans provide a compact, cost effective ventilation solution for factories, warehouses, equipment cooling, and more.

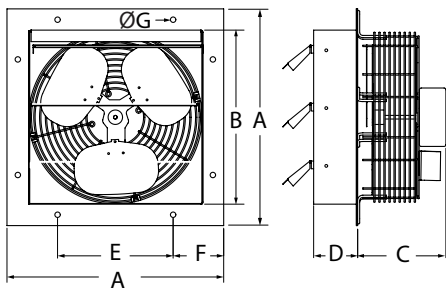
Accessories / Options

- WS wall shutters for models PEF and GEF
 - Aluminum blades; galvanized steel frame

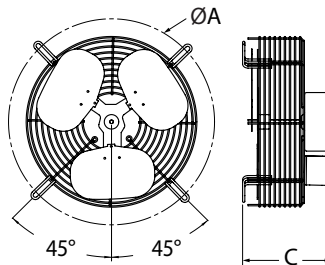
FAN SIZE	MTR HP	AMPS (HIGH)	AIRFLOW PERFORMANCE (CFM)		
			HIGH	MEDIUM	LOW
10	1/2	1.0	680	540	460
12	1/2	1.1	825	710	560
14	3/8	2.0	1520	1400	1250
16	3/8	2.1	2100	1900	1700
18	3/8	2.2	2300	2100	1850
20	1/4	2.3	2925	N/A	2380
24	1/4	2.5	3400	N/A	2770
30	1/4	2.7	3950	N/A </td <td>3080</td>	3080



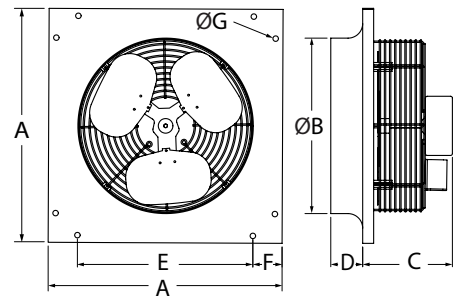
SEF Shutter Mount Fans



GEF Guard Mount Fans



PEF Panel Mount Fans



DIMENSIONS IN INCHES								WT (lbs)
MODEL	A	B	C	D	E	F	G	
SEF-10	13.0	10.1	6.1	2.5	6.0	3.5	0.3	11
SEF-12	15.0	12.1	7.1	2.5	8.0	3.5	0.3	16
SEF-14	17.0	14.1	7.9	2.5	10.0	3.5	0.3	17
SEF-16	19.0	16.1	7.9	2.5	12.0	3.5	0.3	18
SEF-18	21.0	18.1	7.6	2.5	14.0	3.5	0.3	25
SEF-20	23.0	20.1	9.4	2.5	16.0	3.5	0.3	34
SEF-24	27.0	24.1	9.9	2.5	20.0	3.5	0.3	47
SEF-30	33.0	30.1	9.9	3.0	26.0	3.5	0.3	54

DIMENSIONS IN INCHES			WT (lbs)
MODEL	A	C	
GEF-10	14.1	5.8	11
GEF-12	16.4	6.8	12
GEF-14	18.2	7.6	17
GEF-16	20.3	7.6	18
GEF-18	22.6	7.3	19
GEF-20	25.4	9.1	34
GEF-24	29.0	9.6	38
GEF-30	34.8	9.6	42

DIMENSIONS IN INCHES								WT (lbs)
MODEL	A	B	C	D	E	F	G	
PEF-10	12.5	10.3	6.1	1.0	3.8	4.4	0.3	11
PEF-12	14.5	12.3	7.1	1.0	5.8	4.4	0.3	17
PEF-14	17.0	14.3	7.9	1.5	8.3	4.4	0.3	17
PEF-16	19.0	16.3	7.9	1.9	10.3	4.4	0.3	18
PEF-18	21.0	18.1	7.6	1.8	12.3	4.4	0.3	26
PEF-20	23.0	20.3	9.4	1.8	14.3	4.4	0.3	34
PEF-24	28.0	24.3	9.9	2.5	18.3	4.4	0.3	48
PEF-30	34.0	30.3	9.9	2.5	24.3	4.4	0.3	55

DO NOT USE FOR CONSTRUCTION

CONSULT FACTORY FOR CERTIFIED PRINTS

RMD DIRECT DRIVE AXIAL EXHAUST FANS



RMD axial exhaust fans are suitable for roof or wall mounting in commercial ventilation applications such as mechanical room exhaust, warehouse exhaust and much more. They are the perfect low-cost choice for areas that have little or no ductwork.

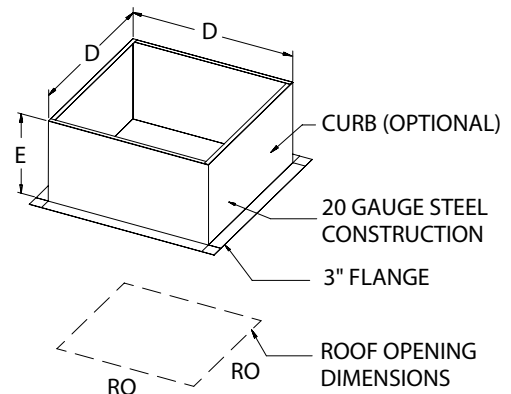
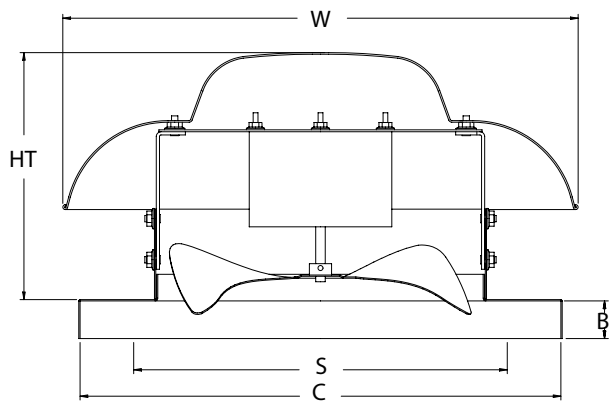
Features & Benefits

- Suitable for roof or wall mounting
- Axial impellers constructed with die formed blades riveted to a steel hub
- Spun aluminum housing for weather-resistant durability
- Wire conduit provides a clear channel for electrical connections
- Bird screen
- Totally enclosed, permanently lubricated, ball bearing motor
- Disconnect switch
- 110 °F max. temperature rating
- Available in 115V 1 phase
- Diameters range from 10" to 18"
- Direct drive capacities to 2,400 cfm

Accessories / Options

- Gravity dampers
- Motorized dampers
- Wall mount brackets
- Roof curb

MODEL	RPM	MTR HP	FLA	AIRFLOW PERFORMANCE (CFM)							
				0" SP	0.125" SP	0.25" SP	0.375" SP	0.50" SP	0.625" SP	0.75" SP	0.875" SP
RMD-10	1500	1/30	1.1	500	339	267	173	-	-	-	-
RMD-12	1500	1/10	1.2	830	710	620	522	436	357	270	-
RMD-14	1100	1/6	2.2	1160	899	786	646	521	384	236	-
RMD-18	1100	1/3	4.5	2400	2034	1628	1491	1293	1084	881	662



MODEL	DIMENSIONS IN INCHES							WT (lbs)	MANUFACTURE CODE
	HT	W	B	C	D	E	RO		
RMD-10	9.8	18.3	2	19	17.5	12	13	24	DDAR10
RMD-12	10.8	20.3	2	19	17.5	12	13	32	DDAR12
RMD-14	12.6	27.3	2	21	19.5	12	16	45	DDAR14
RMD-18	14.4	33.6	2	26	24.5	12	20	67	DDAR18

DO NOT USE FOR CONSTRUCTION

CONSULT FACTORY FOR CERTIFIED PRINTS

ROOF & WALL EXHAUST FANS

CUD DIRECT DRIVE UPBLAST FANS



CUD direct drive upblast exhaust fans are designed to discharge contaminated exhaust air away from roof surfaces and building walls. Available in UL762 Restaurant Exhaust Kits, CUD fans are suitable for commercial range hood exhaust and much more.

Features & Benefits

- Suitable for roof or wall mount
- Backward inclined, non-overloading wheels
- Spun aluminum housing for weather-resistant durability
- Fully enclosed drive compartment protects motor from airborne contaminants
- Fully ventilated motor cooling compartment for long motor life
- Quick release latches for easy access to motor compartment
- Blades and inlets fabricated from aluminum
- Variable speed control (standard on single phase units only)
- Disconnect switch
- Fully welded leak-proof grease drain (except for model CUD-10)
- 300 °F max. temperature rating (except for model CUD-10)
- Available in 115V 1 phase, contact factory for EC motors

Accessories / Options

- Gravity and motorized dampers
- Wall mount brackets
- Roof curb (vented or non-vented)
- Bird screen

Restaurant Exhaust Kits (UL762)

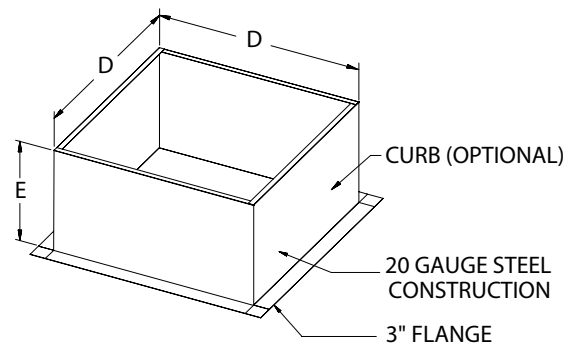
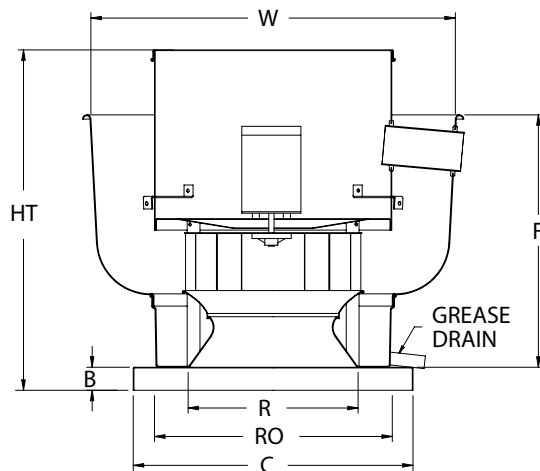
Kits include the following:

- Grease cup
- Grease pipe
- Down spout
- Hinge kit

Note: Restaurant exhaust (UL762) requires the use of a vented roof curb. Select 20" high roof curbs are available.

CUD Performance

- See page 26



DIMENSIONS IN INCHES

MODEL	HT	W	B	C	D	E	F	R	RO	WT (lbs)	MANUFACTURE CODE
CUD-10	14.5	17.8	2	19.0	17.5	12	9.5	8.1	13	30	DU10H
CUD-12	18.0	22.0	2	19.0	17.5	12	14.5	10.6	13	40	DU12H
CUD-30	25.3	25.5	2	21.0	19.5	12	18.5	12.1	16	50	DU30H
CUD-33	25.3	25.5	2	21.0	19.5	12	18.5	12.1	16	50	DU33H
CUD-50	27.3	28.9	2	21.0	19.5	12	21.5	13.3	16	55	DU50H
CUD-85	30.5	31.9	2	24.8	23.0	12	23.0	14.9	20	60	DU85H

DO NOT USE FOR CONSTRUCTION

CONSULT FACTORY FOR CERTIFIED PRINTS

CDD DIRECT DRIVE DOWNBLAST FANS



CDD direct drive downblast fans provide quiet operation, within a weather-resistant spun aluminum housing. These commercial / light industrial fans are ideal for applications in schools, hospitals, office buildings, and much more.

Features & Benefits

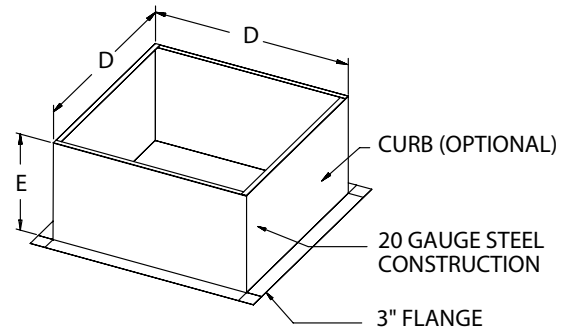
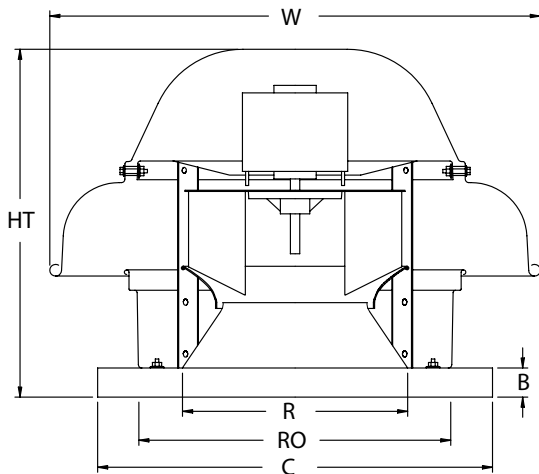
- Suitable for roof or wall mount
- Backward inclined, non-overloading wheels
- Spun aluminum housing for weather-resistant durability
- Wire conduit provides protected channel for electrical connections
- Blades and inlets fabricated from aluminum
- Bird screen
- Disconnect switch
- Variable speed control
- 110 °F max. temperature rating
- Available in 115V 1 phase, contact factory for EC motors
- Direct drive capacities to 3,300 cfm

Accessories / Options

- Gravity dampers
- Motorized dampers
- Wall mount brackets
- Roof curb

CDD Performance

- See page 26



MODEL	DIMENSIONS IN INCHES								WT (lbs)	MANUFACTURE CODE
	HT	W	B	C	D	E	R	RO		
CDD-10	14.5	20.8	2	19.0	17.5	12	8.1	13	30	DR10H
CDD-12	16.3	23.8	2	19.0	17.5	12	10.6	13	35	DR12H
CDD-30	19.1	26.3	2	21.0	19.5	12	12.1	16	45	DR30H
CDD-33	19.1	26.3	2	21.0	19.5	12	12.1	16	45	DR33H
CDD-50	21.8	29.8	2	21.0	19.5	12	13.3	16	50	DR50H
CDD-85	23.4	33.3	2	24.8	23.0	12	14.9	20	60	DR85H

DO NOT USE FOR CONSTRUCTION

CONSULT FACTORY FOR CERTIFIED PRINTS

ROOF & WALL EXHAUST FANS

CUD DIRECT DRIVE UPBLAST FANS PERFORMANCE																													
MODEL	CFM	0" SP		0.125" SP		0.250" SP		0.375" SP		0.50" SP		0.625" SP		0.750" SP		0.875" SP		1" SP		1.250" SP		1.50" SP		1.750" SP		2.00" SP			
		RPM	BHP	RPM	BHP	RPM	BHP	RPM	BHP	RPM	BHP	RPM	BHP	RPM	BHP	RPM	BHP	RPM	BHP	RPM	BHP	RPM	BHP	RPM	BHP	RPM	BHP	RPM	BHP
CUD-10	250	755	0.01	969	0.02	1152	0.03	1309	0.04	1453	0.06	1582	0.08																
	300	906	0.01	1091	0.03	1255	0.04	1402	0.06	1531	0.07																		
	400	1205	0.04	1351	0.05	1481	0.07	1606	0.08																				
	500	1506	0.07																										
CUD-12	300	509	0.01	746	0.02	940	0.04	1103	0.06	1245	0.08	1370	0.11	1478	0.14	1587	0.18												
	500	846	0.03	1002	0.04	1142	0.07	1272	0.09	1393	0.12	1511	0.15	1613	0.18														
	700	1184	0.07	1304	0.10	1408	0.12	1509	0.15	1606	0.18																		
	900	1520	0.15																										
CUD-30	850	1071	0.05			1239	0.09			1396	0.14			1543	0.19														
	1050	1321	0.10			1460	0.15			1593	0.20																		
	1250	1572	0.17																										
CUD-33	700	857	0.04	974	0.06	1094	0.09	1199	0.12	1292	0.15	1375	0.18	1452	0.21	1525	0.24	1595	0.28										
	900	1102	0.09	1189	0.11	1286	0.14	1380	0.18	1466	0.21	1544	0.25	1619	0.29														
	1100	1346	0.17	1416	0.19	1493	0.23	1574	0.27																				
	1300	1591	0.27																										
CUD-50	1200	915	0.09			1117	0.16			1277	0.24			1418	0.32			1548	0.42										
	1500	1143	0.17			1315	0.26			1455	0.35			1582	0.45														
	1800	1372	0.29			1519	0.40																						
	2100	1601	0.46																										
CUD-85	1200	582	0.04			773	0.09			917	0.15			1041	0.22			1152	0.30	1254	0.39	1348	0.49	1435	0.59	1517	0.69		
	1600	776	0.09			928	0.16			1057	0.23			1167	0.32			1267	0.40	1359	0.50	1445	0.60	1527	0.71				
	2000	969	0.18			1093	0.26			1208	0.35			1309	0.45			1401	0.55	1485	0.65								
	2400	1163	0.31			1266	0.40			1368	0.51			1461	0.62			1545	0.73										
	2800	1357	0.50			1445	0.60			1533	0.72																		
	3200	1550	0.74																										

CDD DIRECT DRIVE DOWNBLAST FANS PERFORMANCE																													
MODEL	CFM	0" SP		0.125" SP		0.25" SP		0.375" SP		0.50" SP		0.625" SP		0.75" SP		0.875" SP		1.00" SP		1.125" SP		1.25" SP		1.5" SP		1.75" SP			
		RPM	BHP	RPM	BHP	RPM	BHP	RPM	BHP	RPM	BHP	RPM	BHP	RPM	BHP	RPM	BHP	RPM	BHP	RPM	BHP	RPM	BHP	RPM	BHP	RPM	BHP	RPM	BHP
CDD-10	250	786	0.01	1008	0.02	1196	0.03	1374	0.05	1534	0.07																		
	350	1097	0.03	1268	0.04	1417	0.06	1556	0.07																				
	450	1411	0.06	1546	0.07																								
CDD-12	400	639	0.01	839	0.03	1000	0.04	1143	0.07	1266	0.09	1384	0.12	1493	0.15	1594	0.18												
	600	957	0.04	1101	0.06	1230	0.08	1345	0.11	1449	0.14	1550	0.17																
	800	1274	0.09	1384	0.12	1490	0.15	1587	0.18																				
	1000	1592	0.18																										
CDD-30	800	926	0.05	1051	0.07	1163	0.09	1258	0.12	1345	0.14	1423	0.17	1495	0.19	1566	0.22												
	1000	1157	0.09	1259	0.12	1355	0.14	1443	0.17	1522	0.20	1595	0.24																
	1200	1389	0.16	1474	0.19	1556	0.22																						
	1400	1618	0.25																										
CDD-33	600	731	0.03	882	0.05	1014	0.07	1124	0.10	1220	0.12	1307	0.15	1389	0.18	1467	0.22	1538	0.25	1609	0.29	1676	0.32						
	800	974	0.06	1088	0.09	1201	0.12	1301	0.15	1391	0.19	1473	0.22	1547	0.26	1619	0.29	1688	0.33										
	1000	1217	0.12	1307	0.15	1401	0.19	1490	0.23	1572	0.27	1650	0.31																
	1200	1460	0.21	1535	0.25	1613	0.29	1690	0.33																				
CDD-50	1000	666	0.03	792	0.06	895	0.08	986	0.11	1068	0.14	1144	0.17	1214	0.21	1282	0.25	1346	0.28	1406	0.32	1464	0.37						
	1400	931	0.09	1026	0.13	1112	0.16	1188	0.20	1259	0.23	1325	0.27	1388	0.31	1448	0.35	1504	0.40	1559	0.44	1611	0.49						
	1800	1197	0.20	1273	0.24	1344	0.28	1410	0.33	1472	0.37	1531	0.42	1586	0.46														
	2200	1463	0.36	1524	0.41	1586	0.46																						
CDD-85	1500	705	0.06			893	0.13			1038	0.20			1161	0.29			1271	0.38			1372	0.47	1466	0.58	1556	0.69		
	1900	892	0.13			1049	0.21			1180	0.30			1293	0.39			1394	0.50			1488	0.60	1575	0.71				
	2300	1080	0.23			1212	0.33			1331	0.43			1436	0.54			1529	0.65										
	2700	1268	0.37			1382	0.48			1488	0.60			1585	0.73														
	3100	1455	0.56			1555	0.69																						

APK DIRECT DRIVE PANEL FANS

APK Direct Drive Panel Fans are the ideal solution for applications that require high efficiency and quiet operation. These panel fans deliver maintenance-free performance at an affordable price.

- Spark resistant, cast aluminum airfoil axial impeller
- Superior performance and sound characteristics
- Baked polyester powder coat finish
- GRP (polypropylene) blades available
- Aluminum construction available
- Custom designs available from 12" to 36"
- Capacities to 23,000 cfm from stock components



AFK DIRECT DRIVE FLANGE FANS

AFK Direct Drive Flange Fans deliver maximum performance in minimal space. A fully reversible double flange design provides exceptional strength and allows for duct mounting if needed.

- Spark resistant, cast aluminum airfoil axial impeller
- Superior performance and sound characteristics
- Baked polyester powder coat finish
- GRP (polypropylene) blades available
- Fully reversible design option available
- Sizes range from 12" to 42"
- Capacities to 34,000 cfm from stock components



TCD BC AIRFOIL BLOWERS

TCD BC Airfoil Blowers are precision balanced air-moving devices that feature superior performance and exceptional smoothness. Combined with high efficiency TEFC motors, TCD blowers set new standards for efficiency and sound.

- Direct drive, non-overloading 'TEK' impeller
- Highly efficient airfoil (BCA) design
- Epoxy coated steel housing
- Rugged GRP (polyamide) impeller
- Cast aluminum impeller hub w/bushing
- CW rotation; rotatable to 5 positions
- Capacities to 4,500 cfm



AID DIRECT DRIVE AXIAL IN-LINE FANS

AID Axial In-Line Fans offer the perfect solution where high efficiency and quiet operation are required. Commonly used to move large volumes of air at medium and high pressures, AID fans utilize airfoil adjustable pitch impellers to maximize performance.

- NEMA 4 junction box, pre-wired and mounted on fan
- Spark resistant, cast aluminum airfoil axial impeller
- Baked polyester powder coat finish
- GRP (polypropylene) impeller available
- Fully reversible airflow option
- Sizes range from 12" to 27"
- Capacities to 11,400 cfm

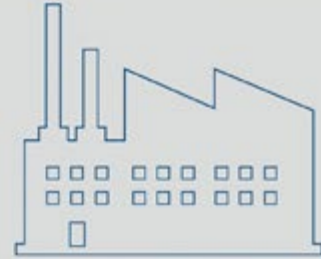




**OEM Solutions
& Custom Fans**



**Industrial
Fans & Blowers**



**Commercial
Fans & Dampers**



**Residential
Fans & Air Purifiers**



Wholesale Ventilation Products

Continental Fan Manufacturing Inc.
Buffalo, NY ~ Dayton, OH

Continental Fan Canada Inc.
Mississauga, ON

www.continentalfan.com
1-800-779-4021

Distributed by:

