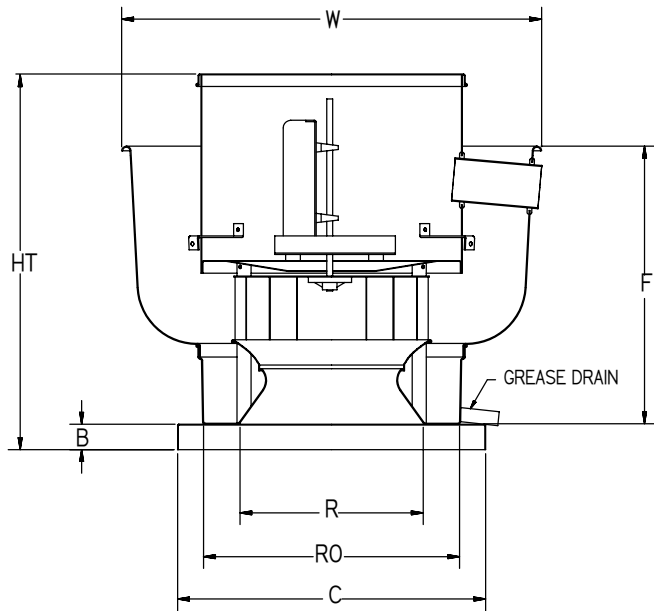


CUB SERIES UPBLAST EXHAUST FANS



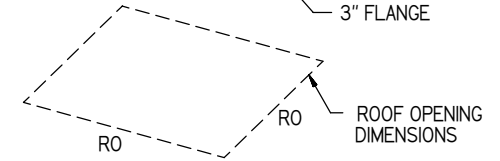
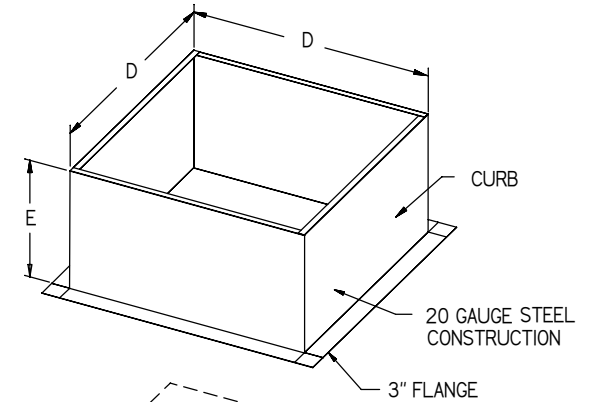
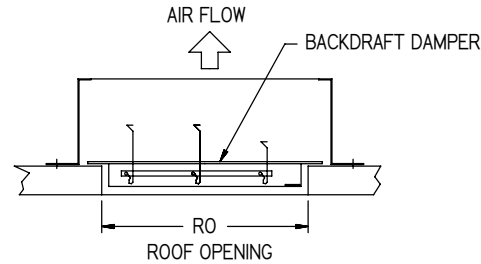
FEATURES:

- ROOF MOUNTED FANS
- UL705
- AMCA SOUND AND AIR CERTIFIED
- INTERNAL WIRING
- WEATHERPROOF DISCONNECT
- THERMAL OVERLOAD PROTECTION (SINGLE PHASE)

OPTIONS:

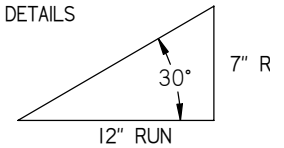
- BACKDRAFT DAMPER
- HINGED FAN
- PITCHED CURB
- INSULATED CURB
- BIRD SCREEN

BACKDRAFT DAMPER INSTALLATION



OPTIONAL ROOF CURB DETAILS

PITCHED CURBS ARE AVAILABLE FOR PITCHED ROOFS. SPECIFY PITCH:



EXAMPLE FORMAT: 7 / 12 PITCH = 30°

CUB BELT DRIVE CENTRIFUGAL UP-BLAST EXHAUST FANS DIMENSIONAL DATA

FAN MODEL	HT	W	B	C	F	R	RO	WEIGHT LB
CUB-11	25 1/4	27 1/4	2	21	18 1/2	12 1/8	16	105
CUB-13	27 1/4	30 1/4	2	21	21 1/2	13 1/4	16	120
CUB-15	30 1/2	33 3/4	2	24 3/4	23	14 7/8	20	140
CUB-18	33 3/4	39 3/8	2	28	23 1/2	16 1/2	24	190
CUB-20	33 3/8	38 7/8	2	28	29 1/2	18	24	195
CUB-24	37 1/2	43 3/8	2	33	30 5/8	23 7/8	28	270
CUB-30	40	52 3/4	2	40	33 1/2	24	36	410
CUB-36	45 9/16	63 7/16	2	44	43 7/16	25 1/4	40	470

CURB DIMENSIONAL DATA

FAN MODEL	D	E
CUB-11	19 1/2	12
CUB-13	19 1/2	12
CUB-15	23	12
CUB-18	26 1/2	12
CUB-20	26 1/2	12
CUB-24	31 1/2	12
CUB-30	38 1/2	12
CUB-36	42 1/2	12

DIMENSIONS SUBJECT TO CHANGE WITHOUT NOTICE. DRAWING NOT TO BE USED FOR CONSTRUCTION.

 <p>Better Airflow By Design</p>		
<p>CUB SERIES BELT DRIVE SUBMITTAL</p>		
01	02 FEB. 2012	JEE
REV	DATE	BY
		J. E. EVANS
		3 MAR. 2008
		CUB GENERAL SUBMITTAL.dft