

# DRYER BOOSTER FANS

## DVK DRYER BOOSTER FAN



The DVK Dryer Booster Fan is designed to enhance the drying efficiency of a dryer. It is capable of overcoming a long duct run, and the in-line design simplifies installation. Unique features result in a quiet and powerful dryer boosting solution.

### Features & Benefits

- Boost dryer exhaust efficiency, reduce drying times, and deliver cost savings
- External rotor motor design for quiet and efficient operation
- Backward-curved centrifugal impeller to overcome long duct runs
- In-line construction to reduce lint build-up
- Heavy gauge, drawn steel housing with baked epoxy finish
- High temperature construction: 60 C/140 F
- Thermal overload protection
- Automatic reset

### Installation Tips

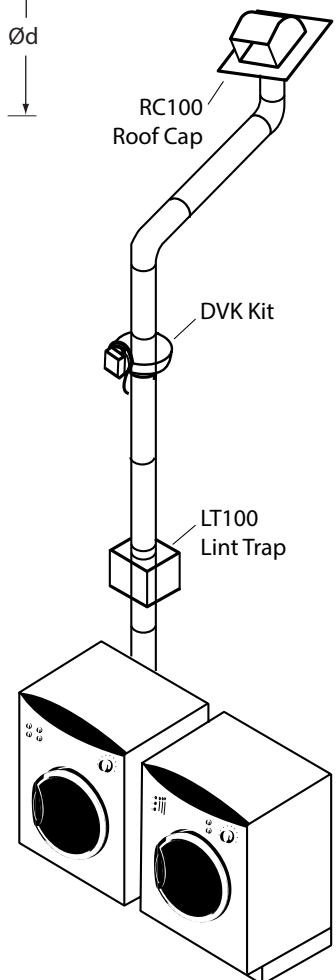
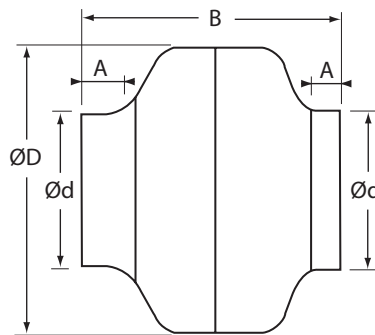
- DVK100B fans should be mounted at least 15 linear feet from dryer.
- Each 90-degree elbow is equivalent to 5 linear feet of duct.
- DVK100B fans are designed to vent up to 110 feet of 4-inch rigid duct.

### Controls & Accessories ~ pages 24-25

| MODEL   | WATTS | RPM  | AIRFLOW PERFORMANCE (CFM) |         |         |         |         |         |         |         |
|---------|-------|------|---------------------------|---------|---------|---------|---------|---------|---------|---------|
|         |       |      | 0" SP                     | 0.2" SP | 0.4" SP | 0.6" SP | 0.8" SP | 1.0" SP | 1.2" SP | 1.5" SP |
| DVK100B | 83.4  | 2620 | 150                       | 140     | 127     | 112     | 94      | 74      | 53      | 23      |

| MODEL   | DIMENSIONS IN INCHES* |     |     |     | SHIP WT (lbs) |
|---------|-----------------------|-----|-----|-----|---------------|
|         | ØD                    | Ød  | A   | B   |               |
| DVK100B | 9.5                   | 3.9 | 1.0 | 8.3 | 8.0           |

\*DO NOT USE FOR CONSTRUCTION CONSULT FACTORY FOR CERTIFIED PRINTS



## BOOSTER FAN ACTIVATION METHODS



### Current Sensor (DVK100B-C Kit)

This is the preferred method for activating a dryer booster fan. When a clothes dryer is operating and drawing at least one amp of current, the current sensor automatically activates the DVK100B dryer booster fan.



### Pressure Switch (DVK100B-P Kit)

The pressure switch is designed to be mounted in the duct between the fan and the dryer. When it senses dryer airflow, the switch activates the DVK100B dryer booster fan.



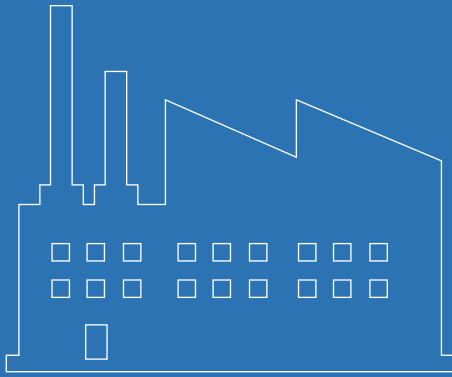
### Pressure Switch - Mounted (DVK100B-PM Kit)

The pre-mounted pressure switch simplifies installation. Utilizing the components found in the DVK100B-P kit, the pressure switch is pre-wired and factory mounted to the DVK100B dryer booster fan.

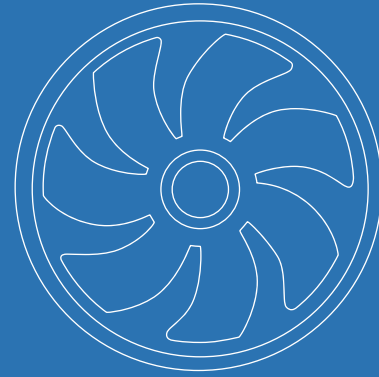
Each of the above booster fan activation methods may be purchased as a separate accessory item. Note: Continental Fan does not recommend wiring a dryer booster fan directly into a clothes dryer.

## Helpful Hints

A LT100 Lint Trap may be installed between the dryer and the booster fan to reduce lint build-up and maintenance on the fan.



***Industrial Fans  
& Blowers***



***OEM Solutions  
& Custom Fans***



***Commercial Fans  
& Dampers***



***Residential Fans &  
Air Purifiers***



# Wholesale Ventilation Products

Continental Fan Manufacturing Inc.  
Buffalo, NY ~ Dayton, OH

Continental Fan Canada Inc.  
Mississauga, ON

[www.continentalfan.com](http://www.continentalfan.com)  
1-800-779-4021

Distributed by:

